

DESCRIPTION

CAPITAL 200 blends unobtrusively into every architectural background through modern design and an extremely sleek profile. The floodlight delivers high output from a compact body with outstanding performance. Available in eight light distributions, this versatile luminaire delivers balanced projection and photometric flexibility tailored to the selective demands of the most sophisticated architectural needs.





Date: _____ Type: _____ Catalog Number: _____

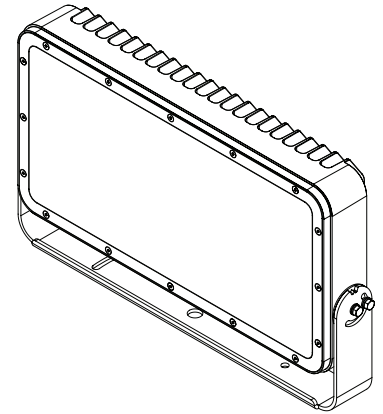
Project Name: _____

ORDERING INFORMATION

LUMINAIRE						
MODEL	COLOR	VOLTAGE	OPTIC *	FINISH §	CABLE	OPTION
CP200 Capital 200	DW Dynamic White (2700K-6500K)	UNV - 120 - 277V	SP - Spot 8°	AG - Anthracite Grey	S - Power in, DMX in, DMX out	3G - 3G Mounting Yoke
			NB - Narrow 12°	BL - Black	M - Monocable only	
			MB - Medium 23°	SG - Griven Silver Grey	C - Monocable with connectors	
			WB - Wide 43°	WH - White		
			EW - Extra Wide 58°	CC - Custom Color		
			ELH - Elliptical Horizontal 42° h x 10° v	§ Contact factory for marine grade finish		
			ELV - Elliptical Vertical 10° h x 42° v			
			ELWH - Elliptical Wide Horizontal 39° h x 20° v			
			ELWV - Elliptical Wide Vertical 20° h x 39° v			
			WW - Wall Wash 36° h x 15° v			
			* Contact factory for internal spreading diffusers			

PRODUCT SPECIFICATIONS

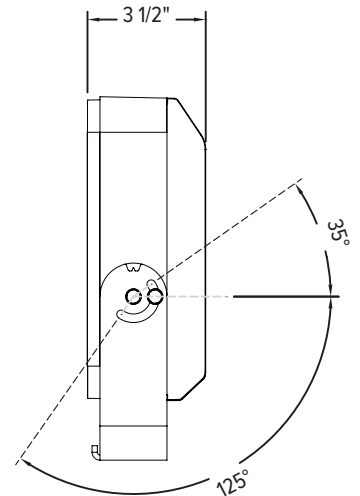
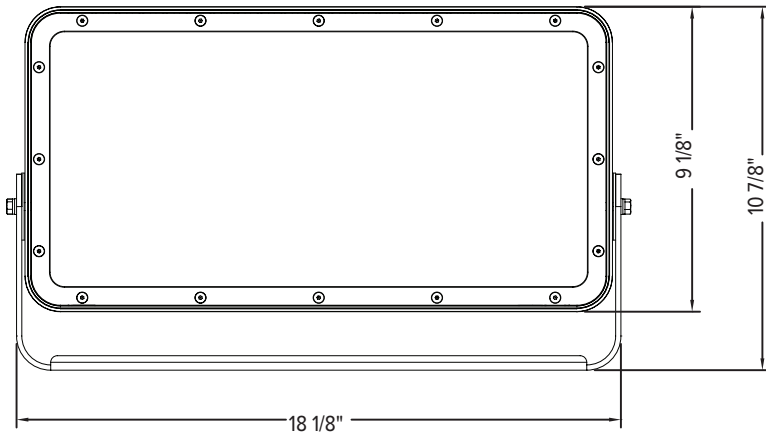
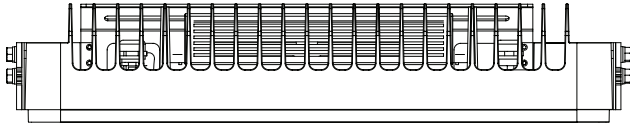
Housing	Die-cast aluminum body
Mounting	Yoke mount with locking hinge. 3G and extended mounting yokes in 300mm and 410mm lengths ship installed when ordered as luminaire option.
Optics	Spot 12°, Narrow 15°, Medium 25°, Wide 47°, Extra Wide 58°. Elliptical 39°h x 14°v, Elliptical Wide 37°h x 23°v, Wall Wash 38°h x 19°v w/ 5° incline
Color	Dynamic White (2700K-6500K)
Lumen Output	From 14,200 lumens depending on distribution
Power Consumption	0.68A @ 230V / 148W max
Efficacy	Up to 96 lumens per watt
Lumen Maintenance	100,000 hours L70 @ 25°C*
Operating Temperature	-40°C to 50°C (-40°F to 122°F)
Weight / EPA	21 lbs / 1.33 ft ²
Certification	IK09 / CE /  
Ingress Protection	IP67
Control	DMX-RDM, standalone onboard sequencing, or master-satellite operation



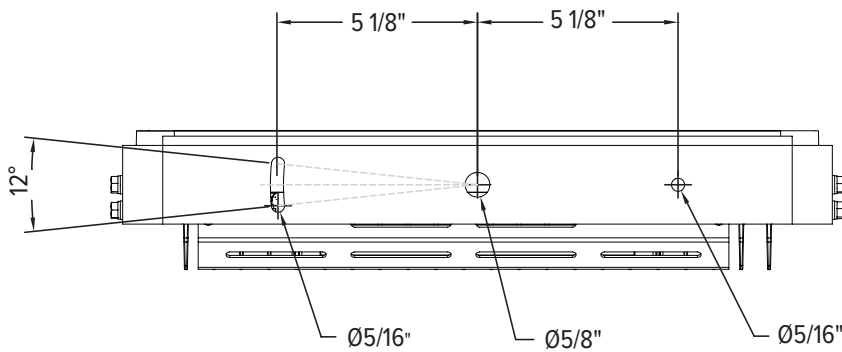
* LED life may vary under actual field conditions due to external factors. Lifetime estimates are generated from actual testing in a controlled environment. Given values are conservatively derived from those numbers.

DIMENSIONS

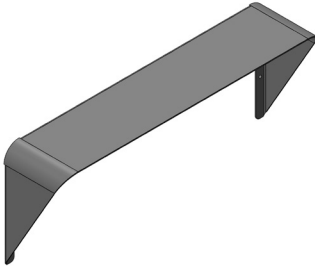
All dimensions are shown in inches unless otherwise noted.



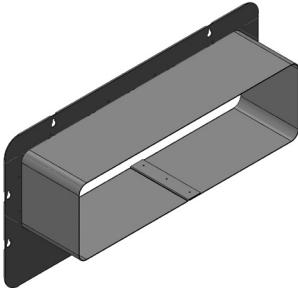
MOUNTING



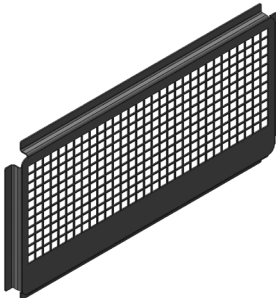
ACCESSORIES



AL8229
Visor



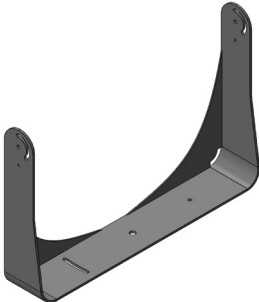
AL8230
Snoot



AL8231
Wire Guard



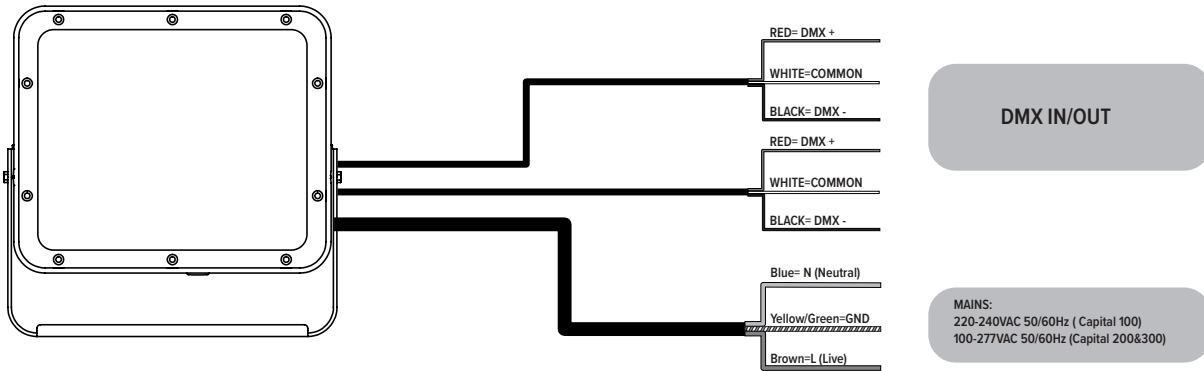
AL1321
Infrared Remote Control



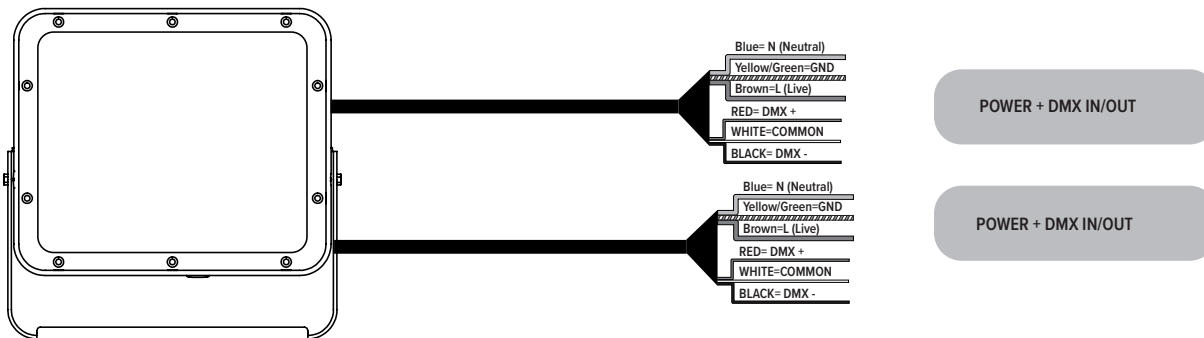
AL8259
3G Mounting Yoke

Connection

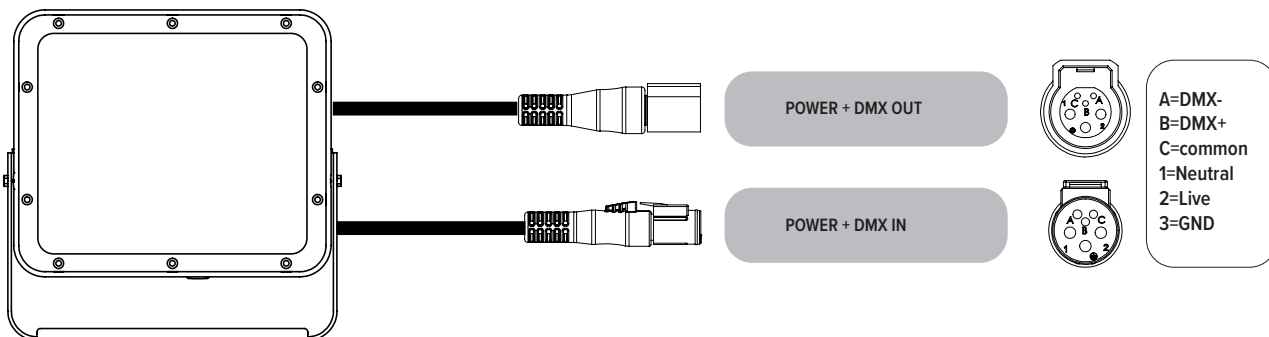
“S” type cable (Power in, DMX In, DMX Out)



“M” type cable (Monocable without connectors)



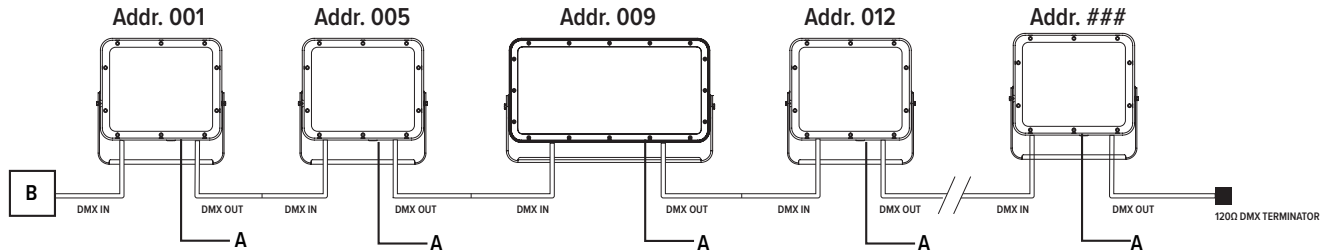
“C” type cable (Monocable + connectors)



Note: the power and signal connections of S and M cable types can be carried out by using the connection kit included in the packing box. Follow the instructions provided along with the connection kit.

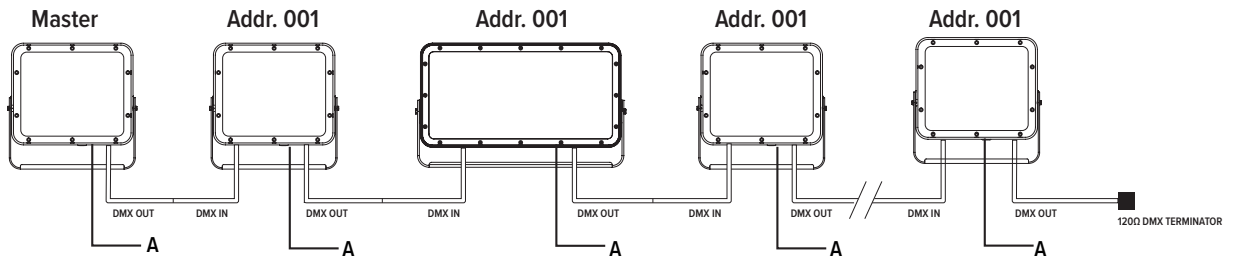
Operating modes

DMX Mode



Example with fixtures set to 4 DMX channels

Master-Slave / Automatic / Fixed color Mode (Only DMX Mode #1)



WARNING ! in this mode, no DMX control device must be present along the line.