

DESCRIPTION

CAPITAL 200 blends unobtrusively into every architectural background through modern design and an extremely sleek profile. The floodlight delivers high output from a compact body with outstanding performance. Available in eight light distributions, this versatile luminaire delivers balanced projection and photometric flexibility tailored to the selective demands of the most sophisticated architectural needs.



Date: _____ Type: _____ Catalog Number: _____

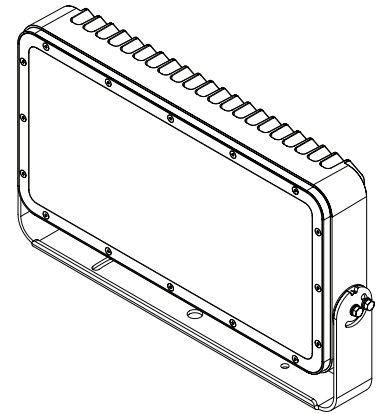
Project Name: _____

ORDERING INFORMATION

LUMINAIRE						
MODEL	COLOR	VOLTAGE	OPTIC *	FINISH §	CABLE	OPTION
CP200 Capital 200	RGBW - RGBW (4000K White)	UNV - 120 - 277V	SP - Spot 8°	AG - Anthracite Grey	S - Power in, DMX in, DMX out	3G - 3G Mounting Yoke
			NB - Narrow 12°	BL - Black	M - Monocable only	
			MB - Medium 23°	SG - Griven Silver Grey	C - Monocable with connectors	
			WB - Wide 43°	WH - White		
			EW - Extra Wide 58°	CC - Custom Color		
			ELH - Elliptical Horizontal 42° h x 10° v	§ Contact factory for marine grade finish		
			ELV - Elliptical Vertical 10° h x 42° v			
			ELWH - Elliptical Wide Horizontal 39° h x 20° v			
			ELWV - Elliptical Wide Vertical 20° h x 39° v			
			WW - Wall Wash 36° h x 15° v			
			* Contact factory for internal spreading diffusers			

PRODUCT SPECIFICATIONS

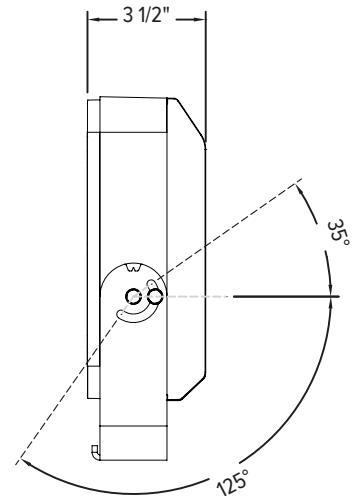
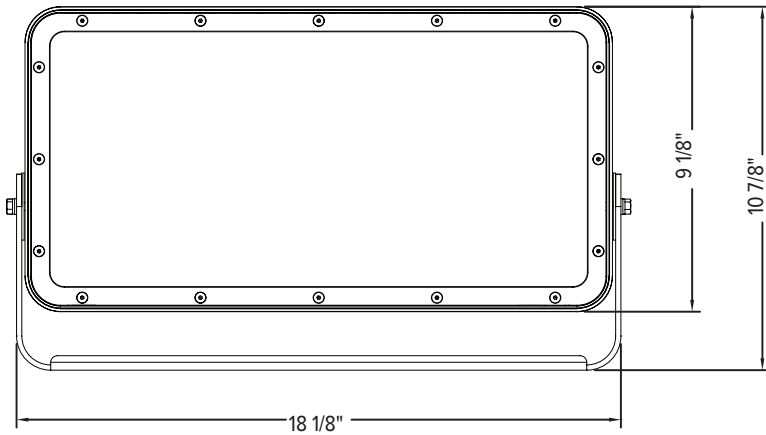
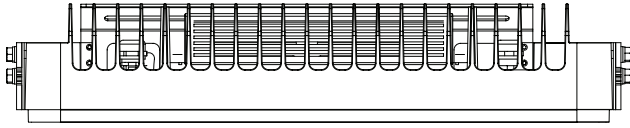
Housing	Die-cast aluminum body
Mounting	Yoke mount with locking hinge. 3G mounting yoke ships installed when ordered as luminaire option.
Optics	Spot 8°, Narrow 12°, Medium 23°, Wide 43°, Extra Wide 58°, Elliptical 42° x 10°, Elliptical Wide 39° x 20°, Wall Wash 36° x 15° (inclined 5°)
Color	RGBW (4000K White)
Lumen Output	From 5979 lumens to 8815 lumens depending on distribution
Power Consumption	0.71A @ 230V / 155W max
Efficacy	Up to 57 lumens per watt
Lumen Maintenance	100,000 hours L70 @ 25°C*
Operating Temperature	-40°C to 50°C (-40°F to 122°F)
Weight / EPA	21 lbs / 1.33 ft ²
Certification	IK09 / CE /  / 
Ingress Protection	IP67
Control	DMX-RDM, standalone onboard sequencing, or master-satellite operation



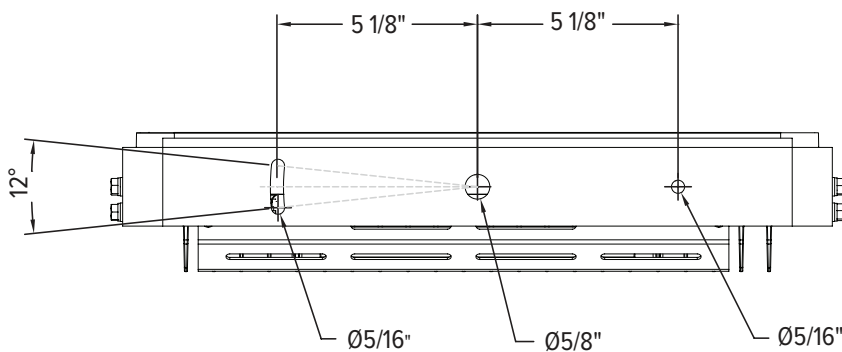
* LED life may vary under actual field conditions due to external factors. Lifetime estimates are generated from actual testing in a controlled environment. Given values are conservatively derived from those numbers.

DIMENSIONS

All dimensions are shown in inches unless otherwise noted.



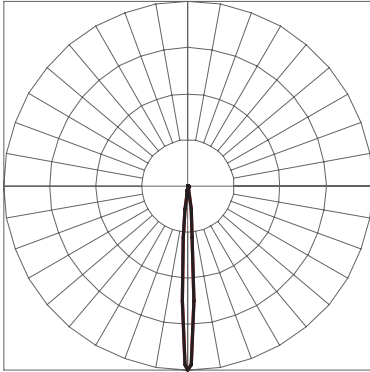
MOUNTING



PHOTOMETRICS - RGBW CANDELA DISTRIBUTION

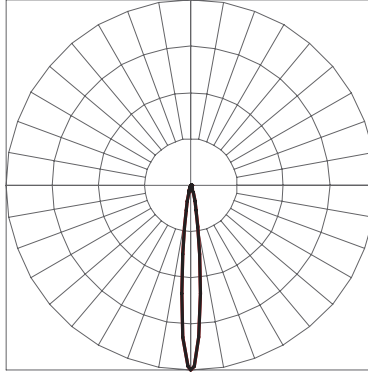
— HORIZONTAL
— VERTICAL

SPOT 8° (SP)



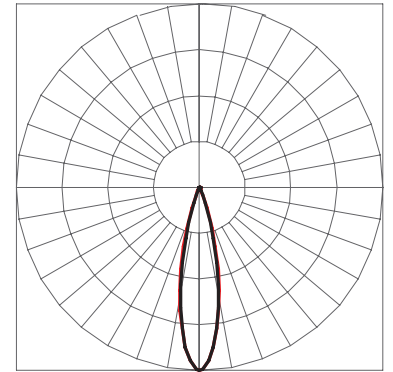
CBCP 265,875 / 8,815 LM

NARROW 12° (NB)



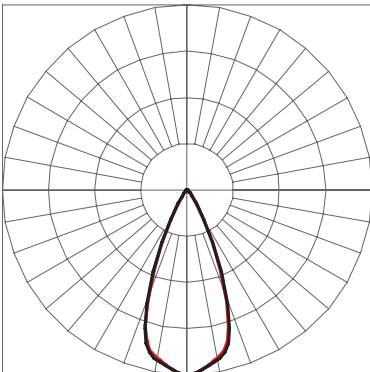
CBCP 117,812 / 7,839 LM

MEDIUM 23° (MB)



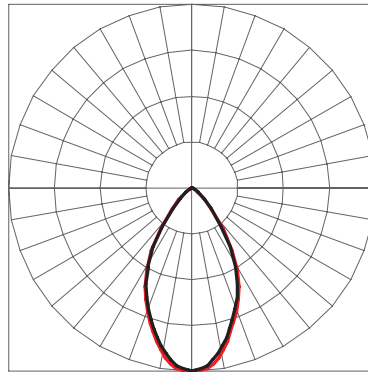
CBCP 40,527 / 7,531 LM

WIDE 44° (WB)



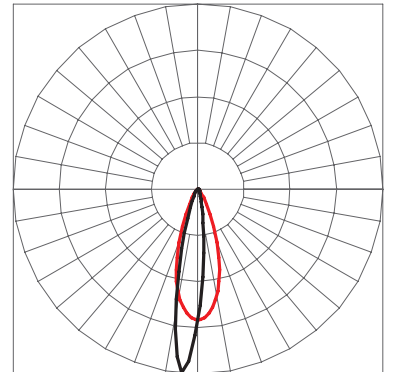
CBCP 13,454 / 7,385 LM

EXTRA WIDE 58° (EXWB)



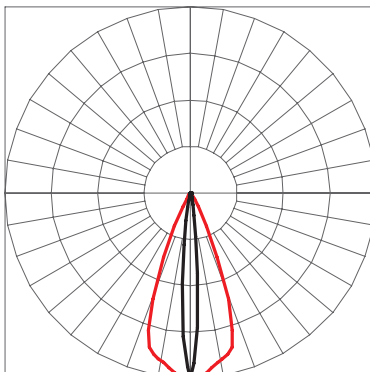
CBCP 6,245 / 5,979 LM

WALL WASH 36° x 15° (WW)



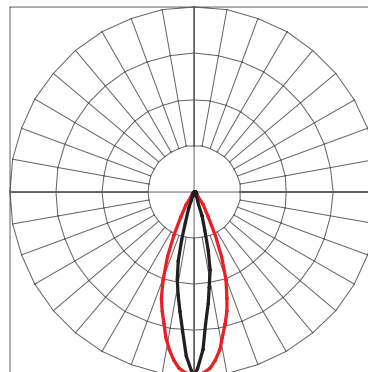
CBCP 26,794 / 6,211 LM

ELLIPTICAL 42° x 10° (ELLB)



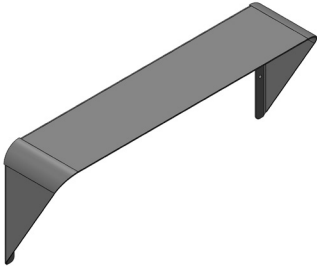
CBCP 48,213 / 7,228 LM

WIDE 39° x 20° (ELWB)

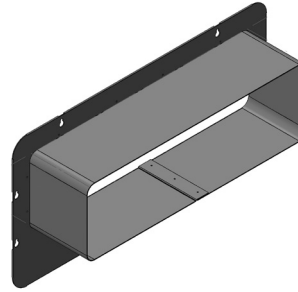


CBCP 23,787 / 6,782 LM

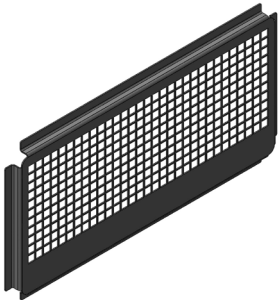
ACCESSORIES



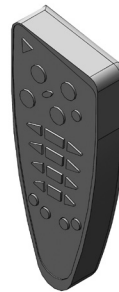
AL8229
Visor



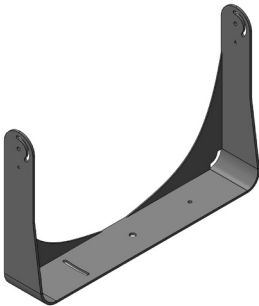
AL8230
Snoot



AL8231
Wire Guard



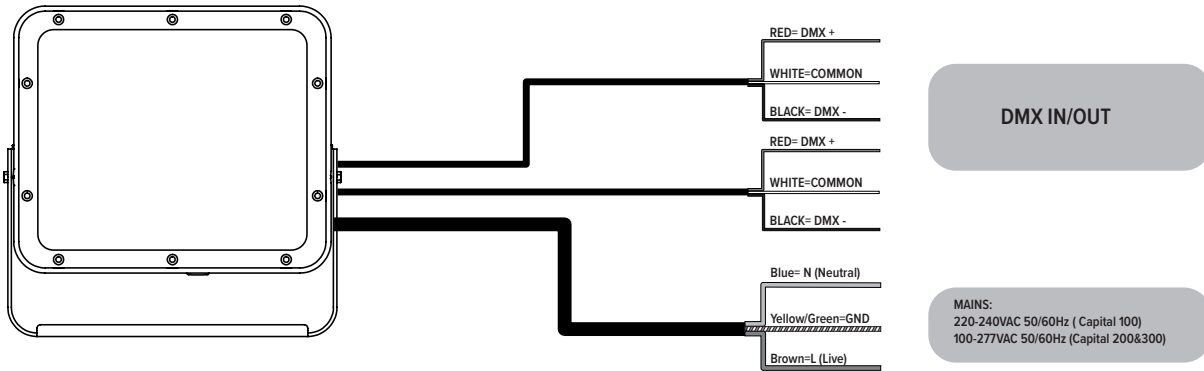
AL1321
Infrared Remote Control



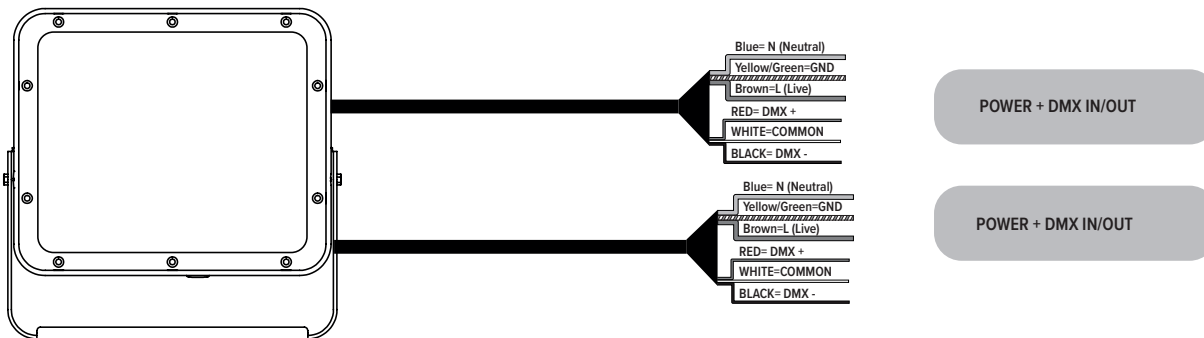
AL8259
3G Mounting Yoke

Connection

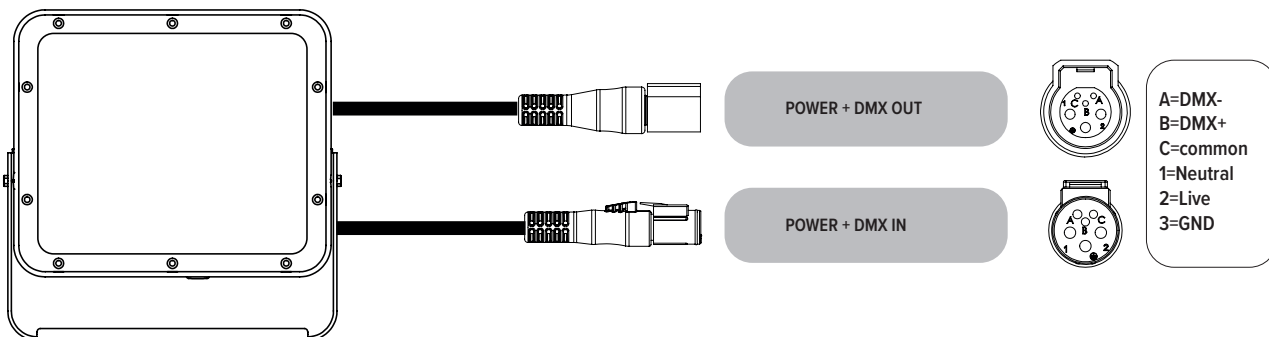
“S” type cable (Power in, DMX In, DMX Out)



“M” type cable (Monocable without connectors)



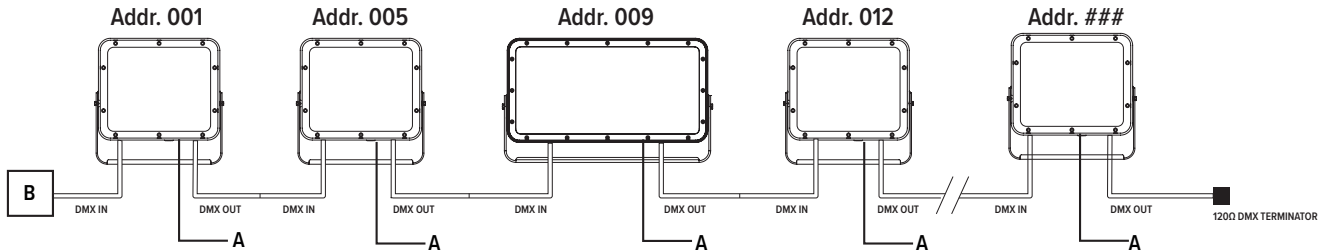
“C” type cable (Monocable + connectors)



Note: the power and signal connections of S and M cable types can be carried out by using the connection kit included in the packing box. Follow the instructions provided along with the connection kit.

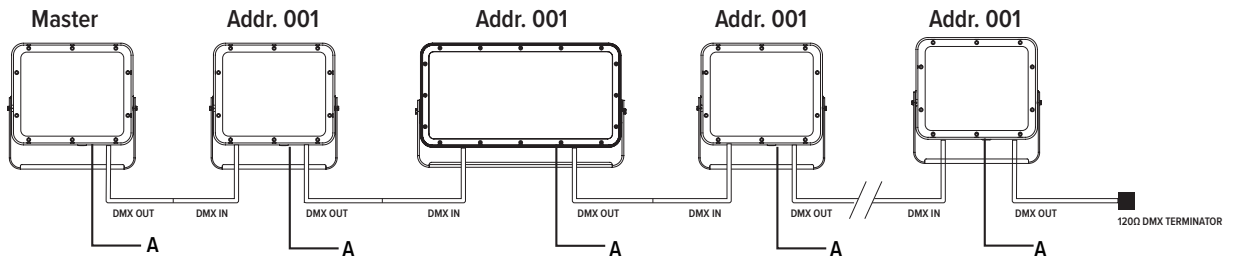
Operating modes

DMX Mode



Example with fixtures set to 4 DMX channels

Master-Slave / Automatic / Fixed color Mode (Only DMX Mode #1)



WARNING ! in this mode, no DMX control device must be present along the line.