

DESCRIPTION

CAPITAL 200 blends unobtrusively into every architectural background through modern design and an extremely sleek profile. The floodlight delivers high output from a compact body with outstanding performance. Available in eight light distributions, this versatile luminaire delivers balanced projection and photometric flexibility tailored to the selective demands of the most sophisticated architectural needs.



Date: \_\_\_\_\_ Type: \_\_\_\_\_ Catalog Number: \_\_\_\_\_



Project Name: \_\_\_\_\_

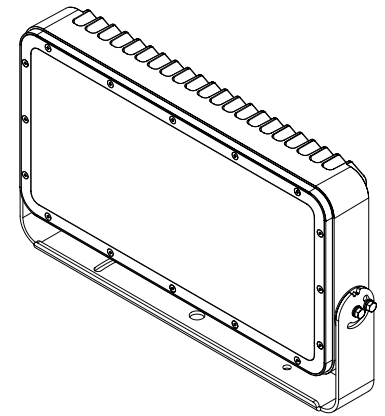
ORDERING INFORMATION

LUMINAIRE						
MODEL	COLOR	VOLTAGE	OPTIC *	FINISH §	CABLE	OPTION
CP200 Capital 200	WW Warm White (3000K)	UNV - 120 - 277V	SP - Spot 8°	AG - Anthracite Grey	S - Power in, DMX in, DMX out	3G - 3G Mounting Yoke
	NW Neutral White (4000K)		NB - Narrow 12°	BL - Black		
	CW Cool White (6500K)	MB - Medium 23°	WB - Wide 43°	SG - Griven Silver Grey	C - Monocable with connectors	
			EW - Extra Wide 58°	WH - White		
	ELH - Elliptical Horizontal 42° h x 10° v	§ Contact factory for marine grade finish				
	ELV - Elliptical Vertical 10° h x 42° v					
	ELWH - Elliptical Wide Horizontal 39° h x 20° v					
	ELWV - Elliptical Wide Vertical 20° h x 39° v					
WW - Wall Wash 36° h x 15° v						

\* Contact factory for internal spreading diffusers

PRODUCT SPECIFICATIONS

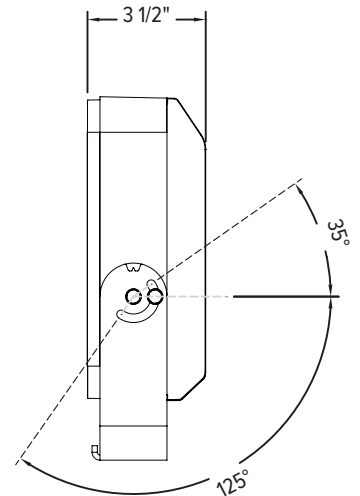
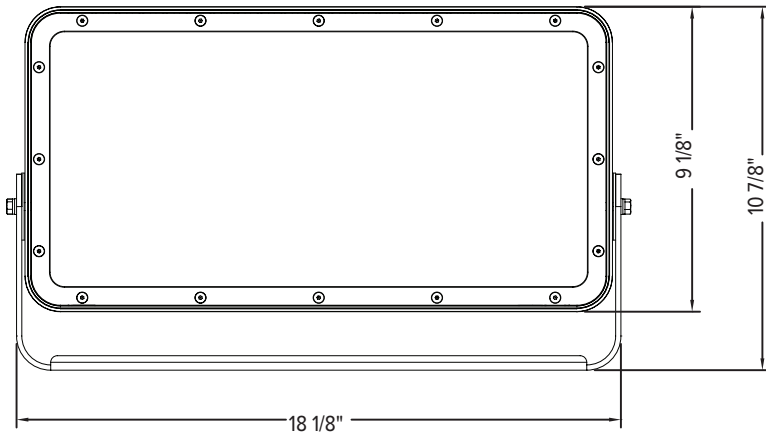
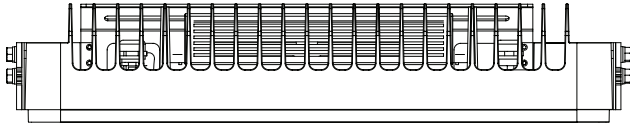
Housing	Die-cast aluminum body
Mounting	Yoke mount with locking hinge. 3G and extended mounting yokes in 300mm and 410mm lengths ship installed when ordered as luminaire option.
Optics	Spot 12°, Narrow 15°, Medium 25°, Wide 47°, Extra Wide 58°. Elliptical 39°h x 14°v, Elliptical Wide 37°h x 23°v, Wall Wash 38°h x 19°v w/ 5° incline
Color	Static Warm (3000K) / Neutral (4000K) / Cool (6500K)
Lumen Output	From 17,147 lumens @ 6500K depending on distribution
Power Consumption	0.68A @ 230V / 148W max
Efficacy	Up to 116 lumens per watt
Lumen Maintenance	100,000 hours L70 @ 25°C*
Operating Temperature	-40°C to 50°C (-40°F to 122°F)
Weight / EPA	21 lbs / 1.33 ft <sup>2</sup>
Certification	<b>IK09 / CE</b> /  / 
Ingress Protection	IP67
Control	DMX-RDM, standalone onboard sequencing, or master-satellite operation



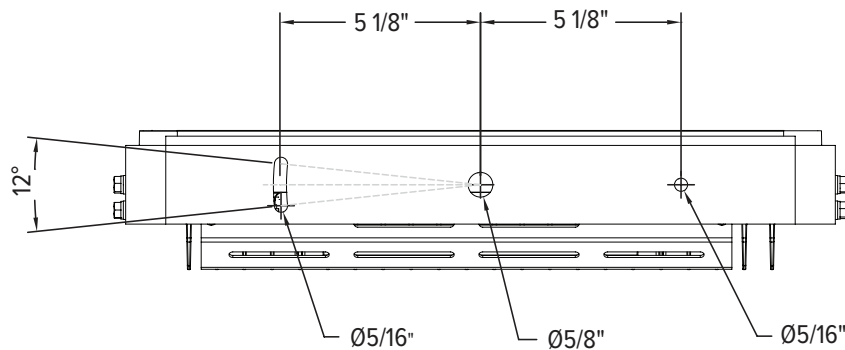
\* LED life may vary under actual field conditions due to external factors. Lifetime estimates are generated from actual testing in a controlled environment. Given values are conservatively derived from those numbers.

**DIMENSIONS**

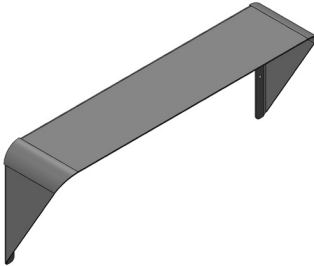
All dimensions are shown in inches unless otherwise noted.



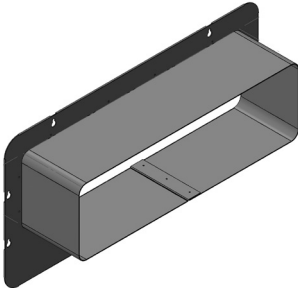
**MOUNTING**



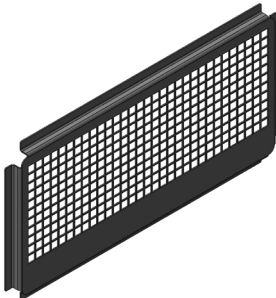
ACCESSORIES



**AL8229**  
Visor



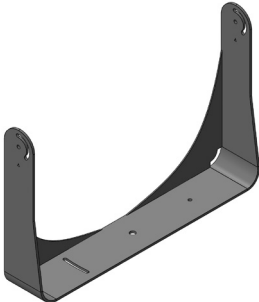
**AL8230**  
Snoot



**AL8231**  
Wire Guard



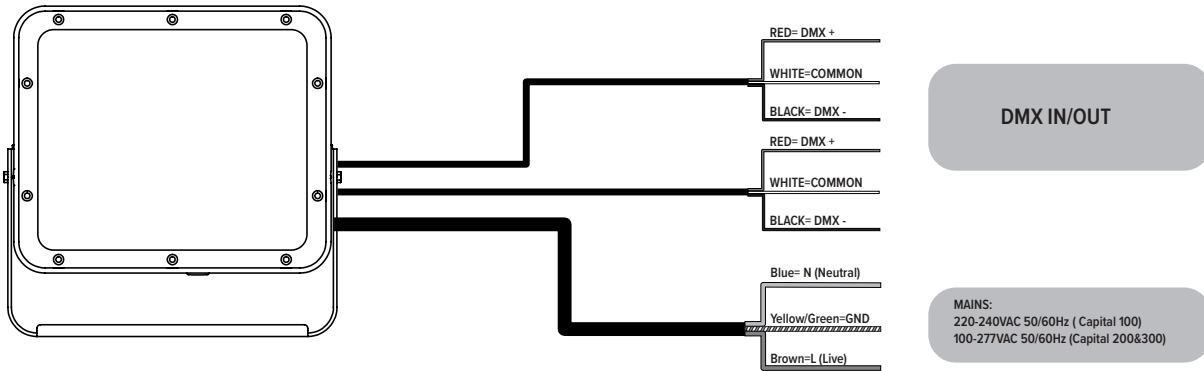
**AL1321**  
Infrared Remote Control



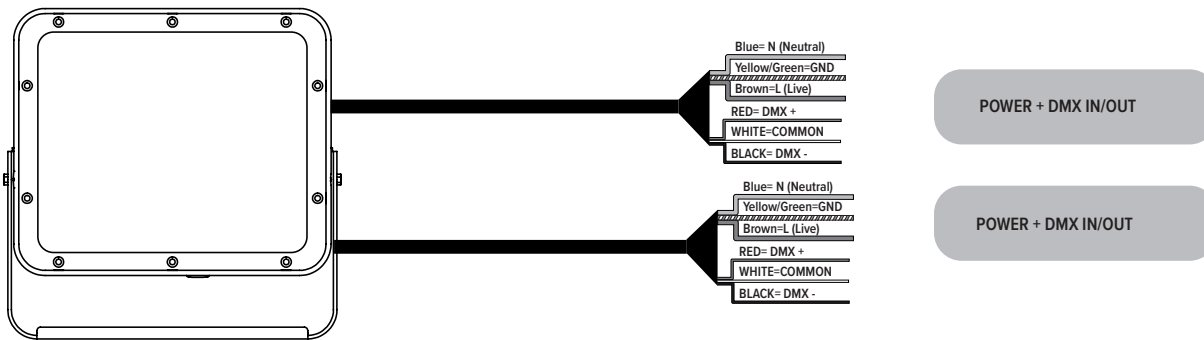
**AL8259**  
3G Mounting Yoke

Connection

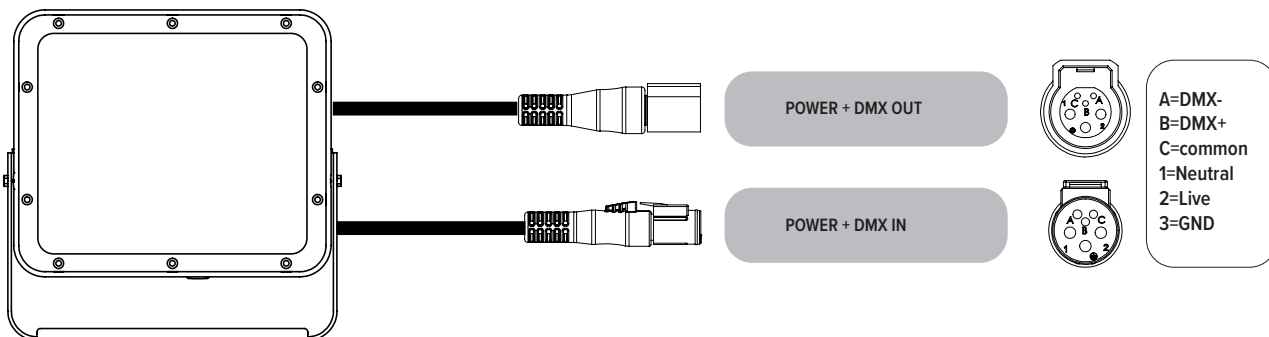
“S” type cable ( Power in, DMX In, DMX Out )



“M” type cable ( Monocable without connectors )



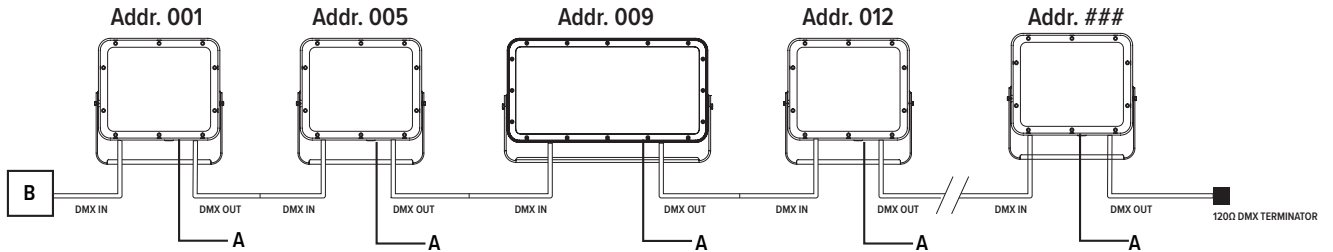
“C” type cable ( Monocable + connectors )



Note: the power and signal connections of S and M cable types can be carried out by using the connection kit included in the packing box. Follow the instructions provided along with the connection kit.

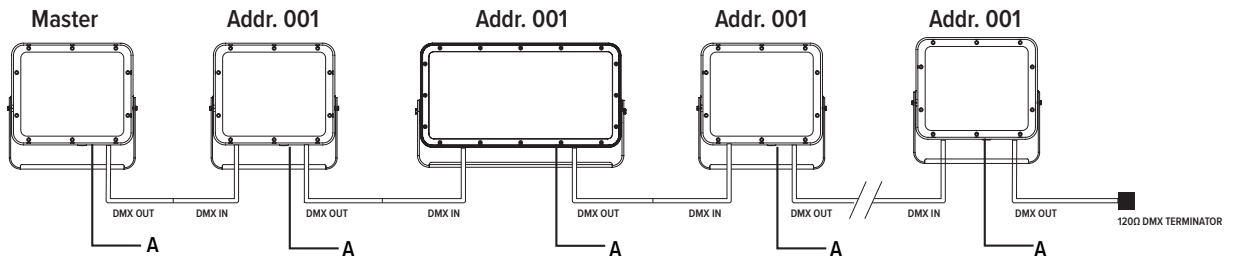
Operating modes

DMX Mode



Example with fixtures set to 4 DMX channels

Master-Slave / Automatic / Fixed color Mode ( Only DMX Mode #1 )



**WARNING !** in this mode, no DMX control device must be present along the line.