

DESCRIPTION

CAPITAL 300 is the ideal solution for the dramatic illumination of large-scale façades and high-rise buildings calling for high impact lighting. With an industry leading high lumen package, this luminaire effectively satisfies illumination requirements ranging from wall wash applications to enhancement of architectural elements.




Date: \_\_\_\_\_ Type: \_\_\_\_\_ Catalog Number: \_\_\_\_\_

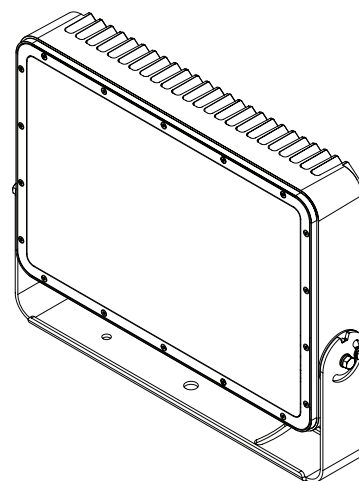
Project Name: \_\_\_\_\_

ORDERING INFORMATION

LUMINAIRE					
MODEL	COLOR	VOLTAGE	OPTIC *	FINISH §	OPTION
CP300 Capital 300	RGBW - RGBW (4000K White)	UNV - 120 - 277V	SP - Spot 8°	AG - Anthracite Grey	3G - 3G Mounting Yoke
			NB - Narrow 12°	BL - Black	
			MB - Medium 23°	SG - Griven Silver Grey	
			WB - Wide 43°	WH - White	
			EXWB - Extra Wide 58°	CC - Custom Color	
			ELLB - Elliptical 42° h x 10° v	§ Contact factory for marine grade finish	
			ELWB - Elliptical Wide 39° h x 20° v		
			WW - Wall Wash 36° h x 15° v		
			* Contact factory for internal spreading diffusers		

PRODUCT SPECIFICATIONS

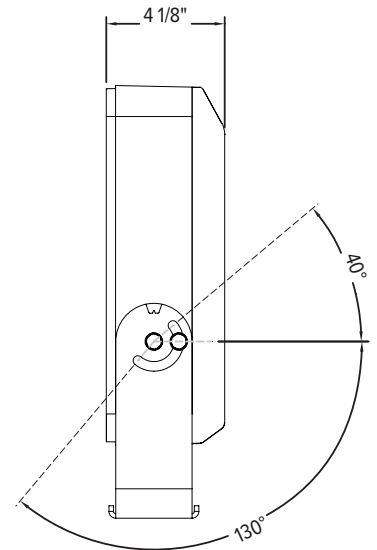
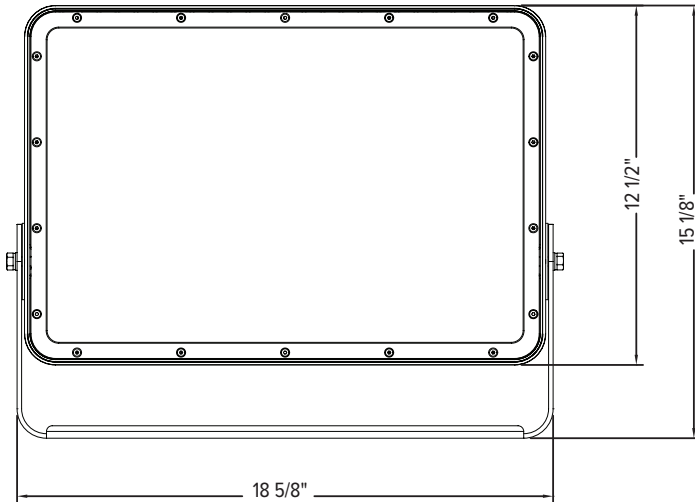
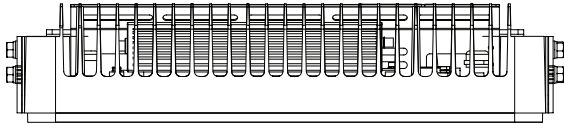
Housing	Die-cast aluminum body
Mounting	Yoke mount with locking hinge. 3G mounting yoke ships installed when ordered as luminaire option.
Optics	Spot 8°, Narrow 12°, Medium 23°, Wide 43°, Extra Wide 58°, Elliptical 42° x 10°, Elliptical Wide 39° x 20°, Wall Wash 36° x 15° (inclined 5°)
Color	RGBW (4000K White)
Lumen Output	From 8,652 lumens to 12,757 lumens depending on distribution
Power Consumption	1.16A @ 230V / 256W max
Efficacy	Up to 50 lumens per watt
Lumen Maintenance	100,000 hours L70 @ 25°C*
Operating Temperature	-40°C to 50°C (-40°F to 122°F)
Weight	33 lbs.
Certification	IK07 / CE / 
Ingress Protection	IP67
Control	DMX-RDM standalone onboard sequencing, or master-satellite operation



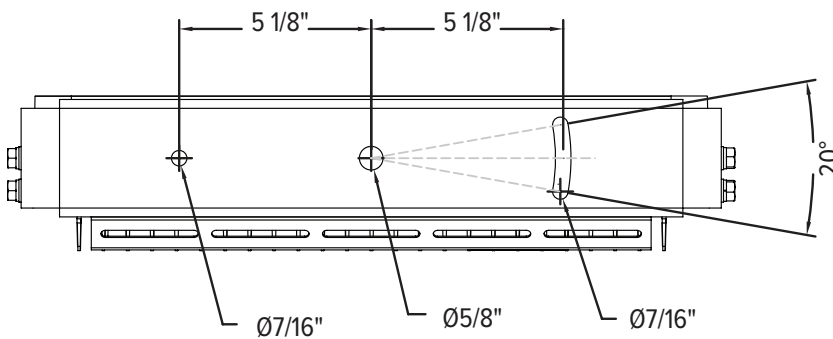
\* LED life may vary under actual field conditions due to external factors. Lifetime estimates are generated from actual testing in a controlled environment. Given values are conservatively derived from those numbers.

### DIMENSIONS

All dimensions are shown in inches unless otherwise noted.



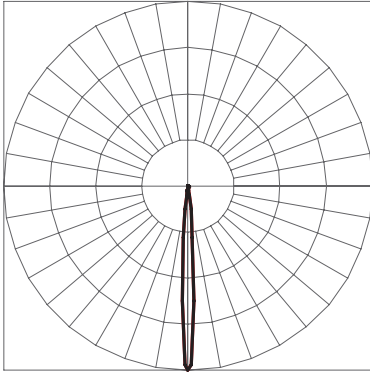
### MOUNTING



PHOTOMETRICS - RGBW CANDELA DISTRIBUTION

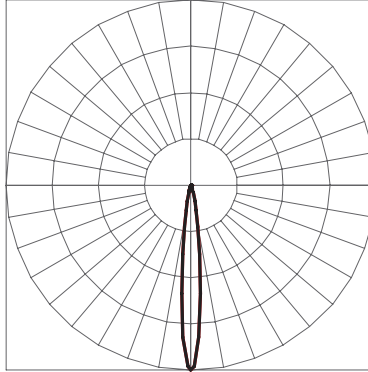
 HORIZONTAL  
 VERTICAL

SPOT 8° (SP)



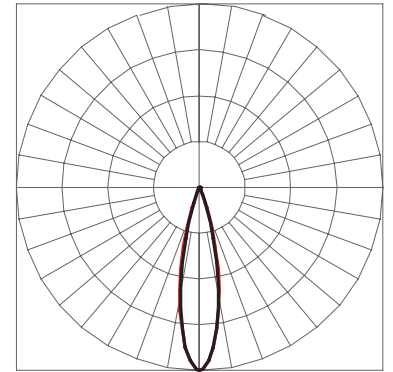
CBCP 505,571 / 12,757 LM

NARROW 12° (NB)



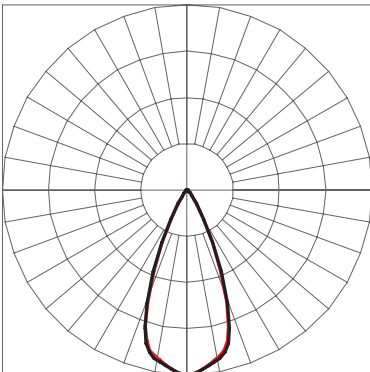
CBCP 170,504 / 11,345 LM

MEDIUM 23° (MB)



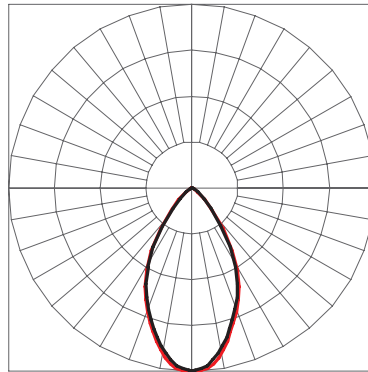
CBCP 58,652 / 10,899 LM

WIDE 43° (WB)



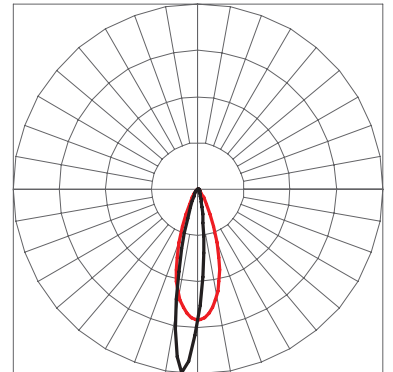
CBCP 19,470 / 10,687 LM

EXTRA WIDE 58° (EXWB)



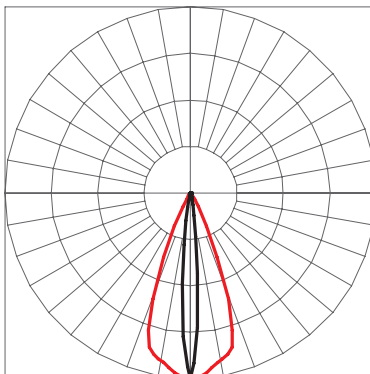
CBCP 9,037 / 8,652 LM

WALL WASH 36° x 15° (WW)



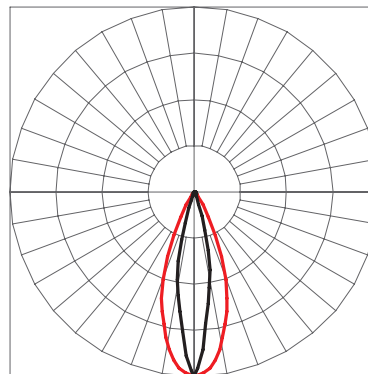
CBCP 38,779 / 8,989 LM

ELLIPTICAL 42° x 10° (ELLB)



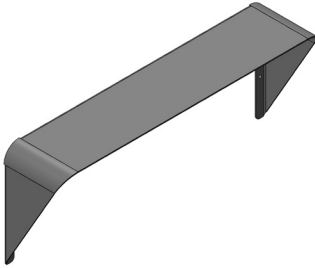
CBCP 69,772 / 10,460 LM

WIDE 39° x 20° (ELWB)

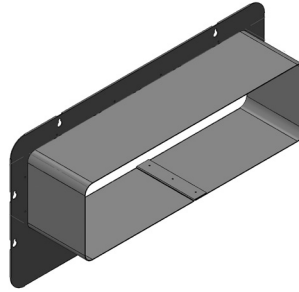


CBCP 34,424 / 9,815 LM

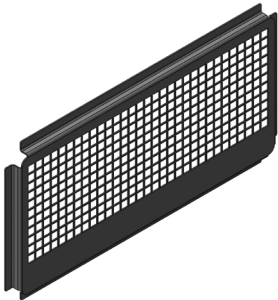
ACCESSORIES



**AL8235** Visor



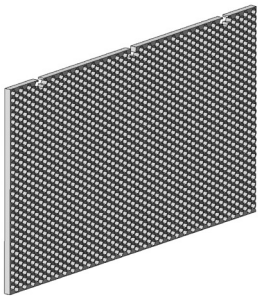
**AL8236**  
Snoot



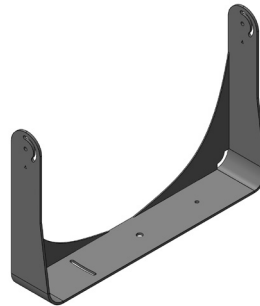
**AL8237**  
Wire Guard



**AL1321**  
Infrared Remote Control



**AL8274**  
Honeycomb Louver



**AL8260**  
3G Mounting Yoke