


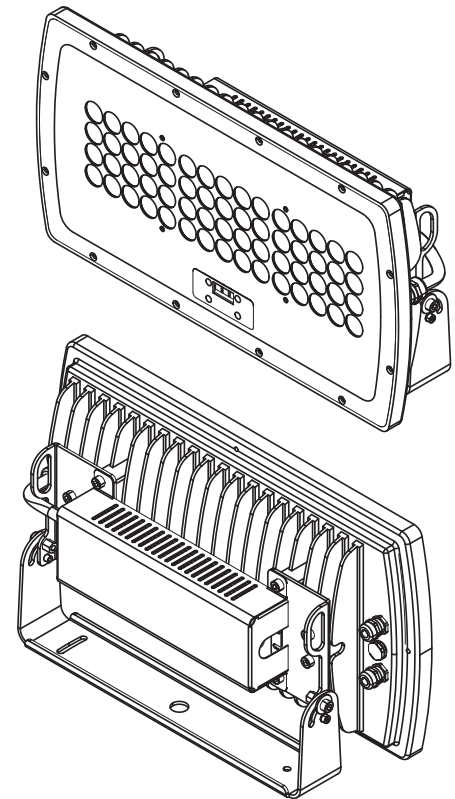
|           |      |
|-----------|------|
| PROJECT   | TYPE |
| SPECIFIER | DATE |
| ORDER #   | QTY  |

EMERALD utilizes state of the art electronic color mixing with 60 premium quality, high power LEDs in cool white, warm white, or dynamic white. An extensive array of sophisticated optics in symmetric or elliptical beams in horizontal or vertical orientations provides high optical efficiencies, balanced projection, and lighting design flexibility. The capacitive touch screen allows direct access to all on-board functions including automatic stand-alone sequencing, master-satellite operation, and DMX addressing. Accessories, custom mountings, and a marine finish are available on request. All hardware is stainless steel.

## PRODUCT SPECIFICATIONS

|                       |   |
|-----------------------|---|
| LUMEN OUTPUT          | 9761 lumens @ 12° CW (see pg 3 for output values of all standard colors)            |
| EFFICACY              | 93.9 (lm/W) CW  |
| LUMEN MAINTENANCE     | 100,000 hours L70 @ 25°C*   |
| COLOR                 | DW (2700-6500K), CW (6300K), WW (3000K)<br>(see pg 4 for customization options)     |
| OPTICS                | 12°, 15°, 24°, 44°, 59°, 40°x14°, 37°x23°   |
| OPERATING TEMPERATURE | -40° to 122° F (-40° to 50° C)  |
| HOUSING               | Die-cast aluminum body with powder coat   |
| MOUNTING              | Yoke mount with locking hinge (custom mounting available upon request)              |
| WEIGHT                | 13.2 lbs. (6 kg)  |
| CERTIFICATION         |  |
| INGRESS PROTECTION    | Wet location rated IP66   |
| IMPACT RATING         | IK09  |
| CONTROL               | Auto Control, DMX 512 (RDM E1.20), Wireless and 0-10V interfaces available          |
| ADDITIONAL FEATURES   | Automatic overtemperature protection / Keypad interface                             |

\* LED life may vary under actual field conditions due to external factors. Lifetime estimates are generated from actual testing in a controlled environment, Griven values are conservatively derived from those numbers.



## ELECTRICAL SPECIFICATIONS

|                   |                                     |
|-------------------|-------------------------------------|
| INPUT VOLTAGE     | 100-277 VAC @ 50-60Hz               |
| POWER CONSUMPTION | 104W 1.02A @ 115VAC, 0.40A @ 277VAC |
| POWER FACTOR      | >.98 @ 115VAC, >.93 @ 277VAC        |
| PROTECTION        | Self-resetting fuse                 |

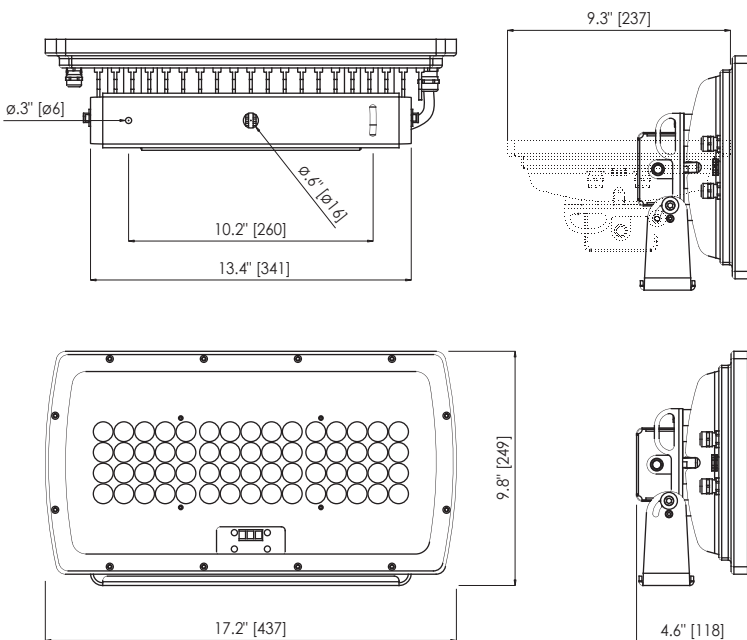
IP66 / IK09 /  / 

## HOW TO ORDER

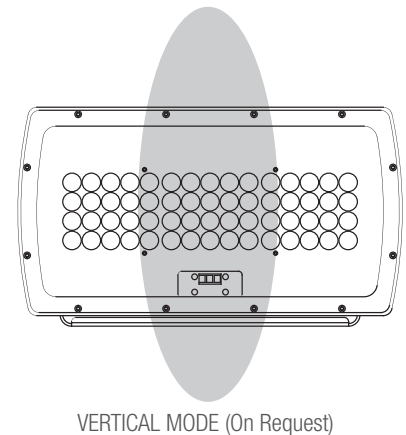
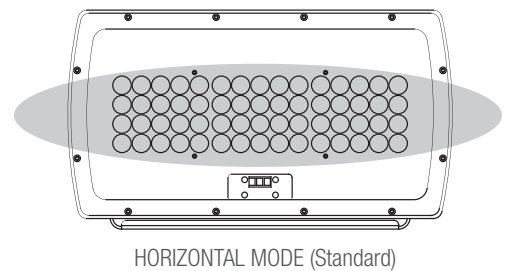
| EM437 |                     | UNV             |                                       | (leave blank if symmetric) |                                      |                            |   |
|-------|---------------------|-----------------|---------------------------------------|----------------------------|--------------------------------------|----------------------------|---|
| PART  | COLOR               | VOLTAGE         | OPTIC                                 | ORIENTATION*               | FINISH                               | ACCESSORIES                | OPTIONS                                       |
|       | DW<br>2700-6500K    | UNV<br>100-277V | SP<br>Spot 12°                        | H<br>Horizontal            | SG<br>Silver Gray                    | BND<br>Barndoor            | SD<br>Spreading Diffuser<br>(consult factory) |
|       | CW<br>6300K         |                 | NB<br>Narrow 15°                      | V<br>Vertical              | CC<br>Custom Color                   | FGS<br>Full Glare Shield   |   |
|       | WW<br>3000K         |                 | MB<br>Medium 24°                      |                            | SGM<br>Silver Gray<br>Marine Grade   | AGS<br>Angled Glare Shield |   |
|       | CCW<br>Custom White |                 | WB<br>Wide 44°                        |                            | CCMG<br>Custom Color<br>Marine Grade |                            |   |
|       |                     |                 | EXWB<br>Extra Wide 59°                |                            |                                      |                            |   |
|       |                     |                 | ELLB*<br>Elliptical<br>40° x 14°      |                            |                                      |                            |   |
|       |                     |                 | ELWB*<br>Elliptical Wide<br>37° x 23° |                            |                                      |                            |   |

\* Specify horizontal or vertical orientation

## DIMENSIONAL DRAWINGS



## OPTIC ORIENTATION (For Elliptical Beams)



## PHOTOMETRICS

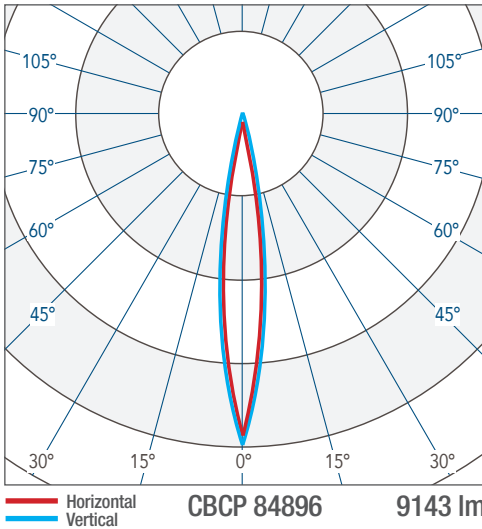
### LIGHT OUTPUT

Photometric data based on cool white LEDs. Use multiplier to determine lumen and CBCP output for DW or WW.

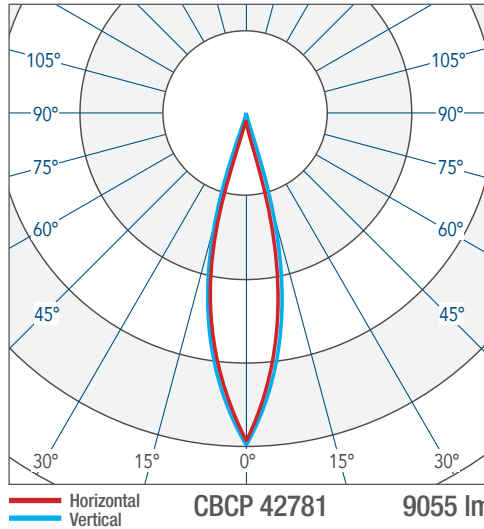
| COLOR           | OUTPUT MULTIPLIER |
|-----------------|-------------------|
| DW (2700-6500K) | .97               |
| CW (6300K)      | 1.00              |
| WW (3000K)      | .94               |

### CANDELA DISTRIBUTION

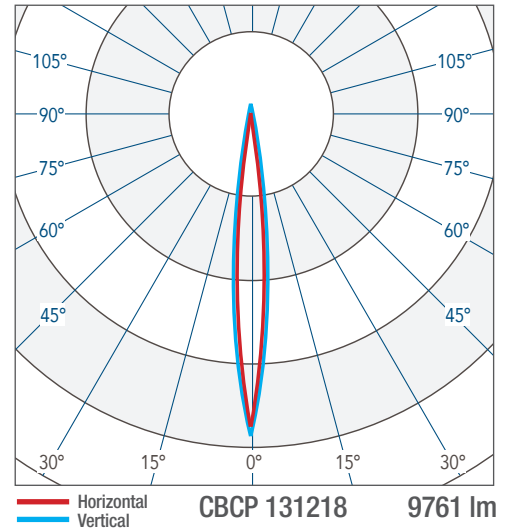
NARROW (CW) 15°



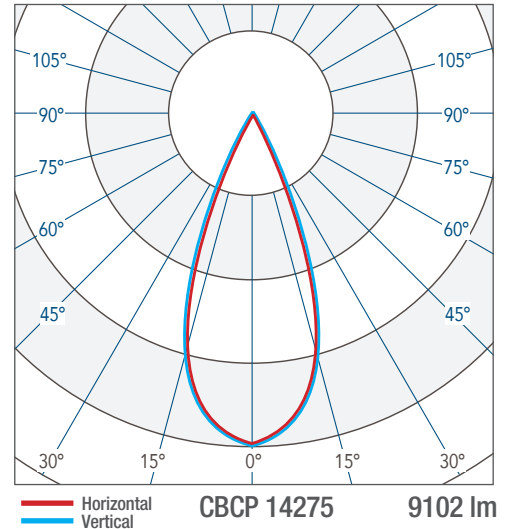
MEDIUM (CW) 24°



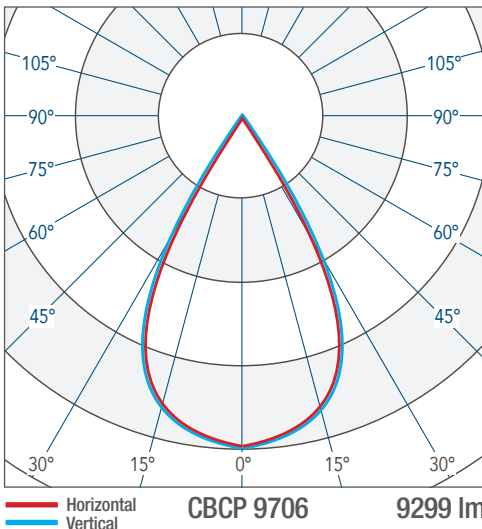
SPOT (CW) 12°



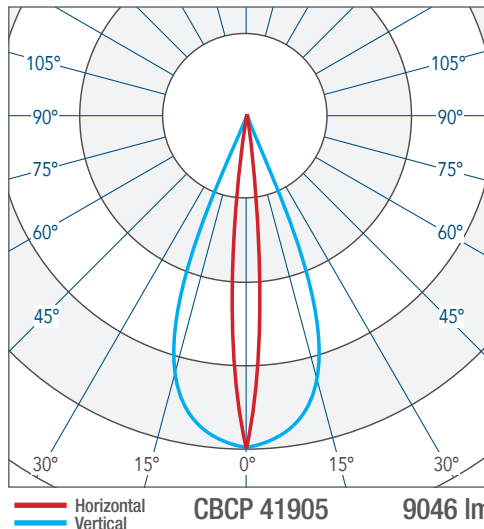
WIDE (CW) 44°



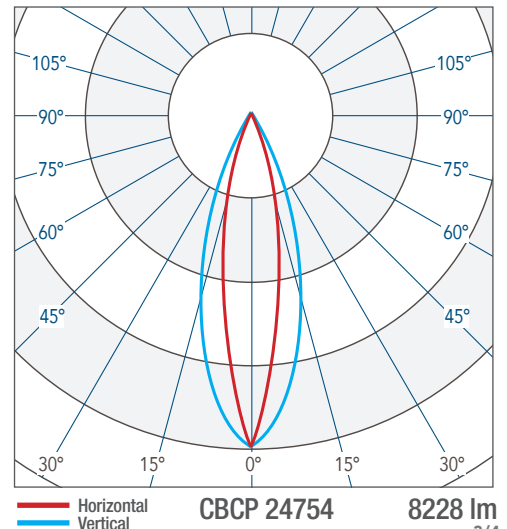
EXTRA WIDE (CW) 59°



ELLIPTICAL (CW) 40° x 14°



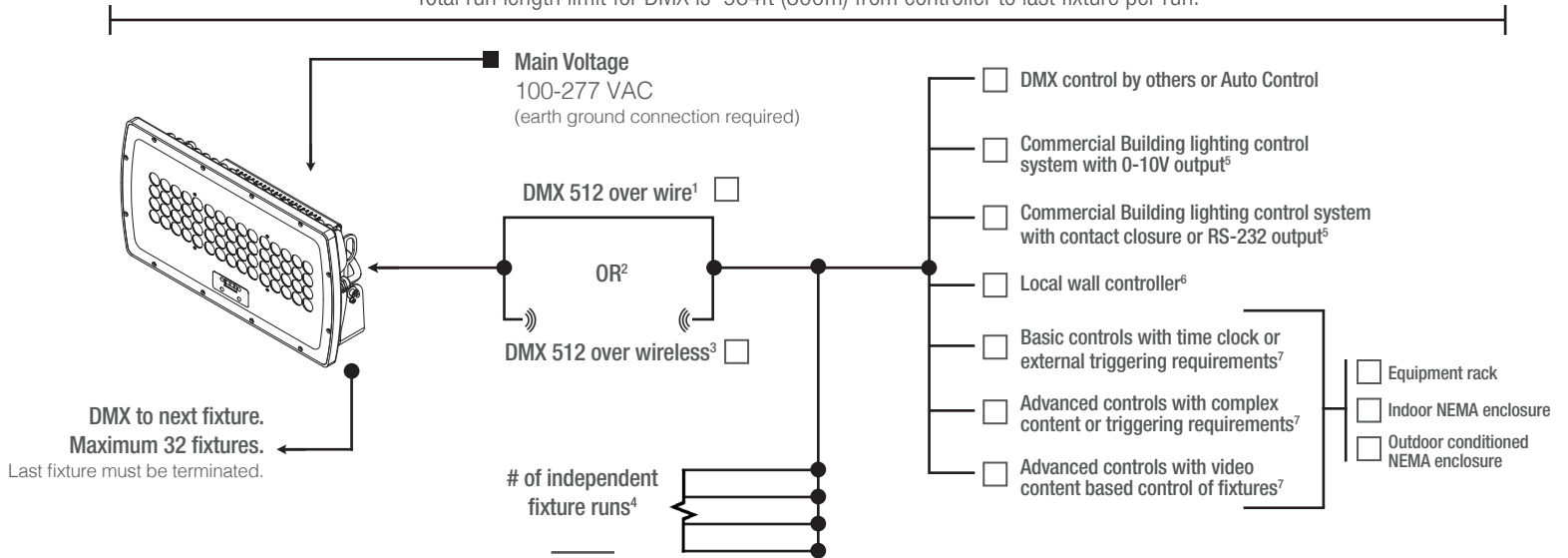
ELLIPTICAL WIDE (CW) 37° x 23°



## CONTROL OPTIONS (DMX512, PRIMARY CONTROL PLATFORM)

Contact manufacturer for control system development.

Total run length limit for DMX is 984ft (300m) from controller to last fixture per run.



### NOTES

1. Wire specifications are available from factory as well as approved wire for purchase.
2. Other control protocol solutions available. Contact factory for more information.
3. Wireless components are external to fixture. Distance limitations based on antennas chosen and site conditions. Contact factory for more information.
4. Based on maximum of 32 fixtures per run as well as any site constraints on conveyance of data.
5. For example: Lutron, Crestron, Encellium, Douglas, ETC by others. Given control system will interface with building lighting control system.
6. Local wall controller for small applications. Wall controllers specified separately for larger systems.
7. Contact factory for assistance with specification. Onsite commissioning by Given of control system is required.

## PRODUCT OPTIONS



### SPREADING DIFFUSER

Die cut spreading diffusers can be added to fixture. Factory sealed in fixture for highest performance and durability. Consult factory.



### MARINE GRADE COATING

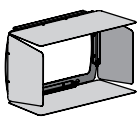
Maximum corrosion resistance for installations near salt or brackish water.



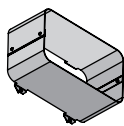
### CUSTOM WHITE LIGHT

Choose the white light you need for your project. Contact Given USA to confirm availability of a custom CCT.

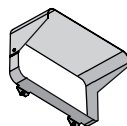
## ACCESSORIES



Barndoor



Full Glare Shield



Angled Glare Shield

