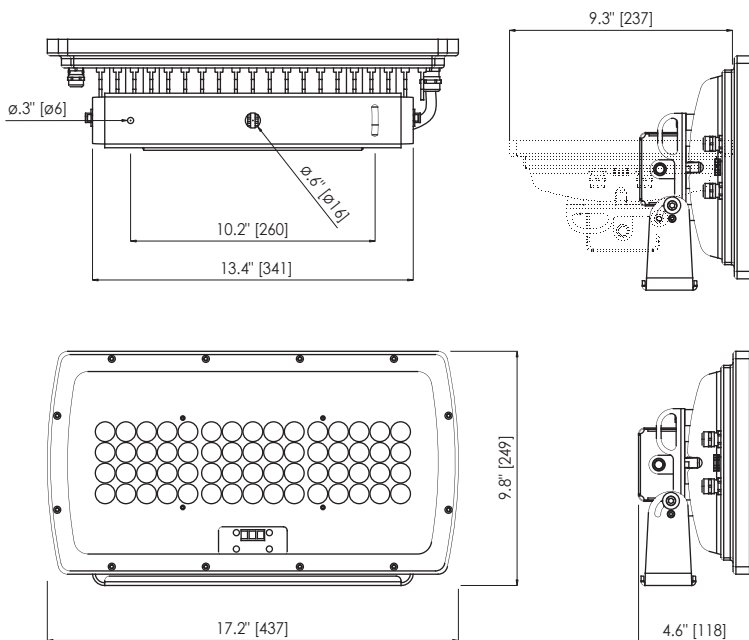




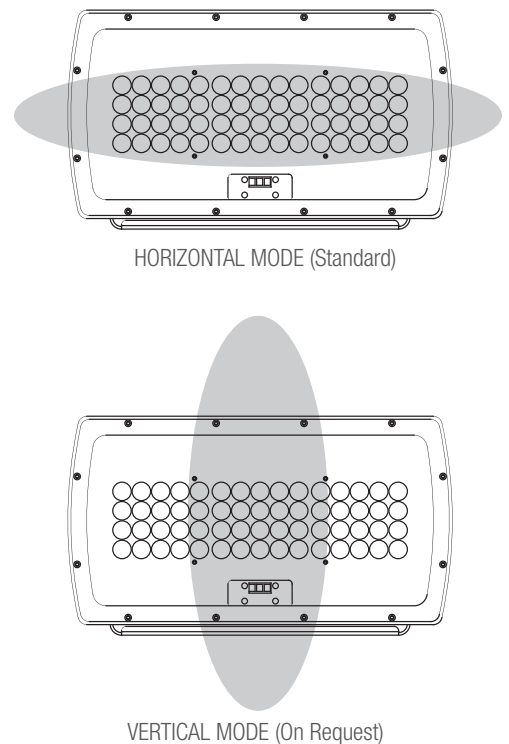
## HOW TO ORDER

EM437	COLOR	VOLTAGE	OPTIC	ORIENTATION	FINISH	ACCESSORIES	OPTIONS
PART	DW 2700-6500K	UNV 100-277V	SP Spot 12°	H Horizontal	SG Silver Gray	BND Barndoor	SD Spreading Diffuser (consult factory)
	CW 6300K		NB Narrow 15°	V Vertical	CC Custom Color	FGS Full Glare Shield	
	WW 3000K		MB Medium 24°		SGM Silver Gray Marine Grade	AGS Angled Glare Shield	
	CCW Custom White		WB Wide 44°		CCMG Custom Color Marine Grade		
			EXWB Extra Wide 59°				
			ELLB Elliptical 40° x 14°				
			ELWB Elliptical Wide 37° x 23°				

## DIMENSIONAL DRAWINGS



## OPTIC ORIENTATION



## PHOTOMETRICS

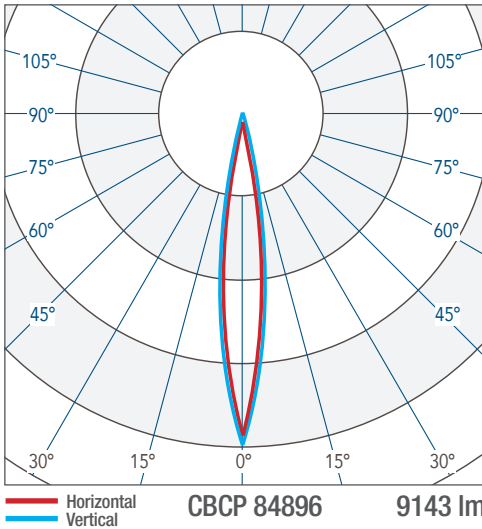
### LIGHT OUTPUT

Photometric data based on cool white LEDs. Use multiplier to determine lumen and CBCP output for DW or WW.

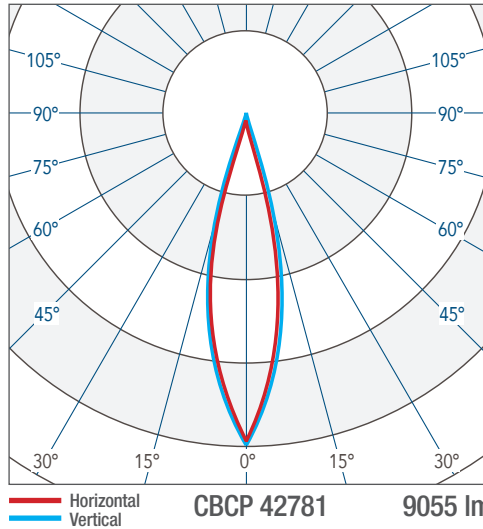
COLOR	OUTPUT MULTIPLIER
DW (2700-6500K)	.97
CW (6300K)	1.00
WW (3000K)	.94

### CANDELA DISTRIBUTION

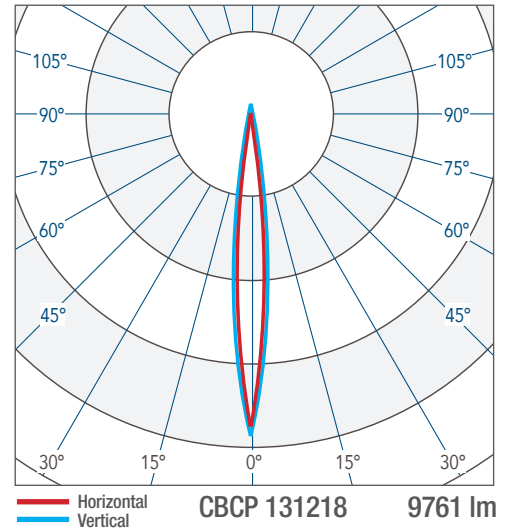
NARROW (CW) 15°



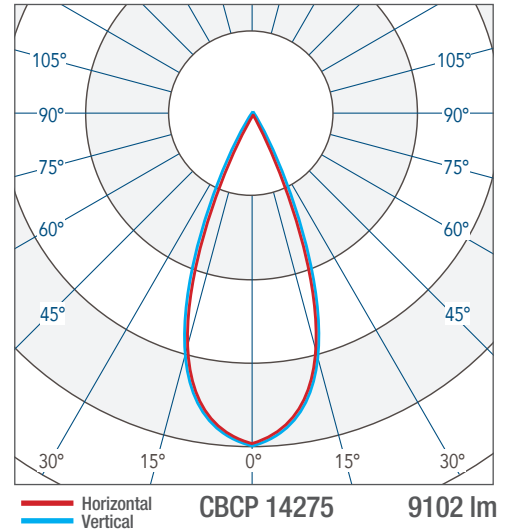
MEDIUM (CW) 24°



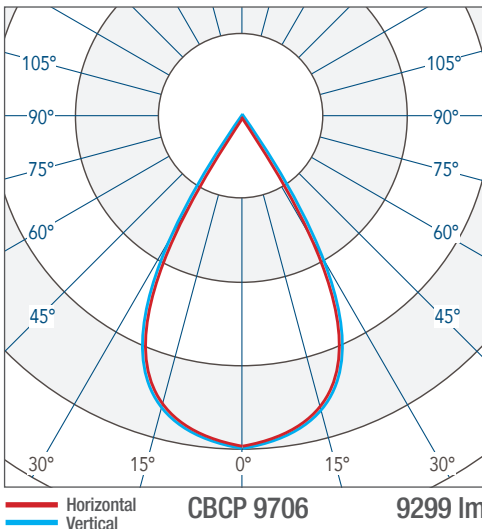
SPOT (CW) 12°



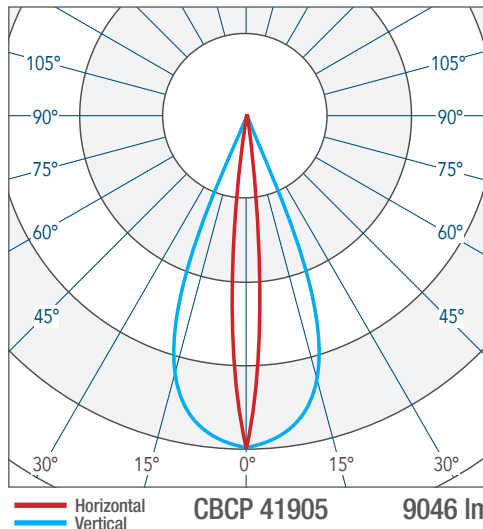
WIDE (CW) 44°



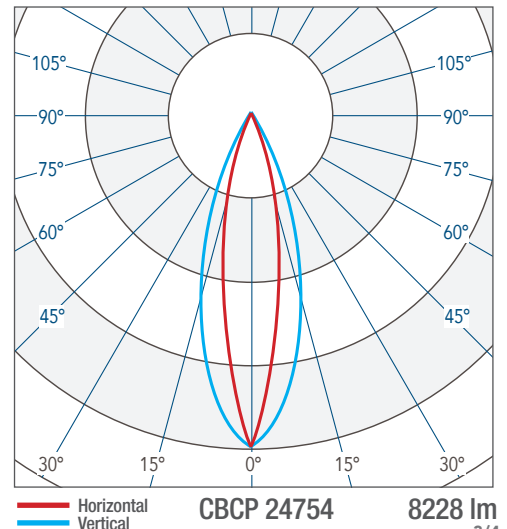
EXTRA WIDE (CW) 59°



ELLIPTICAL (CW) 40° x 14°



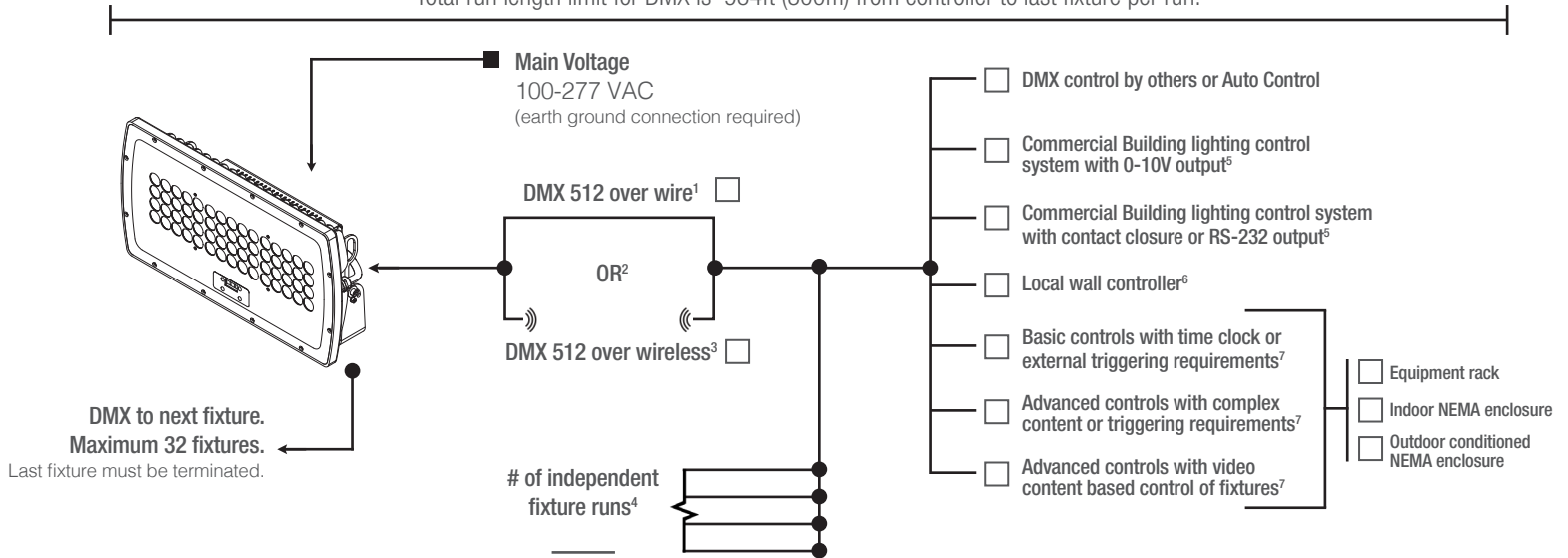
ELLIPTICAL WIDE (CW) 37° x 23°



## CONTROL OPTIONS (DMX512, PRIMARY CONTROL PLATFORM)

Contact manufacturer for control system development.

Total run length limit for DMX is 984ft (300m) from controller to last fixture per run.



### NOTES

1. Wire specifications are available from factory as well as approved wire for purchase.
2. Other control protocol solutions available. Contact factory for more information.
3. Wireless components are external to fixture. Distance limitations based on antennas chosen and site conditions. Contact factory for more information.
4. Based on maximum of 32 fixtures per run as well as any site constraints on conveyance of data.
5. For example: Lutron, Crestron, Encellium, Douglas, ETC by others. Griven control system will interface with building lighting control system.
6. Local wall controller for small applications. Wall controllers specified separately for larger systems.
7. Contact factory for assistance with specification. Onsite commissioning by Griven of control system is required.

## PRODUCT OPTIONS



### SPREADING DIFFUSER

Die cut spreading diffusers can be added to fixture. Factory sealed in fixture for highest performance and durability. Consult factory.



### MARINE GRADE COATING

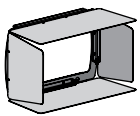
Maximum corrosion resistance for installations near salt or brackish water.



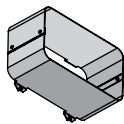
### CUSTOM WHITE LIGHT

Choose the white light you need for your project. Contact Griven USA to confirm availability of a custom CCT.

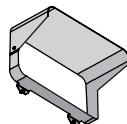
## ACCESSORIES



Barndoor



Full Glare Shield



Angled Glare Shield

