


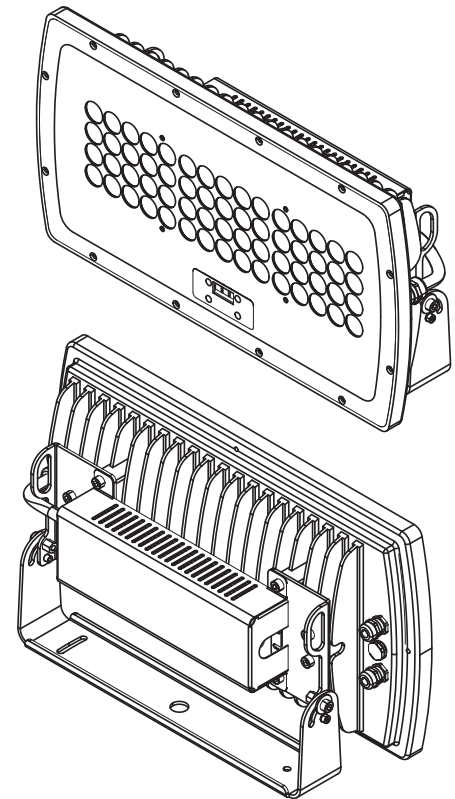
PROJECT	TYPE
SPECIFIER	DATE
ORDER #	QTY

EMERALD utilizes state of the art electronic color mixing with 60 premium quality, high power LEDs in RGBW. An extensive array of sophisticated optics in symmetric or elliptical beams in horizontal or vertical orientations provides high optical efficiencies, balanced projection, and lighting design flexibility. The capacitive touch screen allows direct access to all on-board functions including automatic stand-alone sequencing, master-satellite operation, and DMX addressing. Static color LEDs are also available. Accessories, custom mountings, and a marine finish are available on request. All hardware is stainless steel.

PRODUCT SPECIFICATIONS

LUMEN OUTPUT	4224 lumens @ 7° RGBW (see pg 3 for output values of all standard colors)
EFFICACY	40.6 (lm/W) RGBW
LUMEN MAINTENANCE	100,000 hours L70 @ 25°C*
COLOR	RGBW (6500K white) (see pg 4 for customization options)
OPTICS	7°, 11°, 21°, 43°, 68°, 41" x 9", 38" x 20"
OPERATING TEMPERATURE	-40° to 122° F (-40° to 50°C)
HOUSING	Die-cast aluminum body with powder coat
MOUNTING	Yoke mount with locking hinge (custom mounting available upon request)
WEIGHT	13.2 lbs. (6 kg)
CERTIFICATION	
INGRESS PROTECTION	Wet location rated IP66
IMPACT RATING	IK09
CONTROL	Auto Control, DMX 512 (RDM E1.20), Wireless and 0-10V interfaces available
ADDITIONAL FEATURES	Automatic overtemperature protection / Keypad interface

* LED life may vary under actual field conditions due to external factors. Lifetime estimates are generated from actual testing in a controlled environment. Given values are conservatively derived from those numbers.



ELECTRICAL SPECIFICATIONS

INPUT VOLTAGE	100-277 VAC @ 50-60Hz
POWER CONSUMPTION	104W 1.02A @ 115VAC, 0.40A @ 277VAC
POWER FACTOR	>.98 @ 115VAC, >.93 @ 277VAC
PROTECTION	Self-resetting fuse

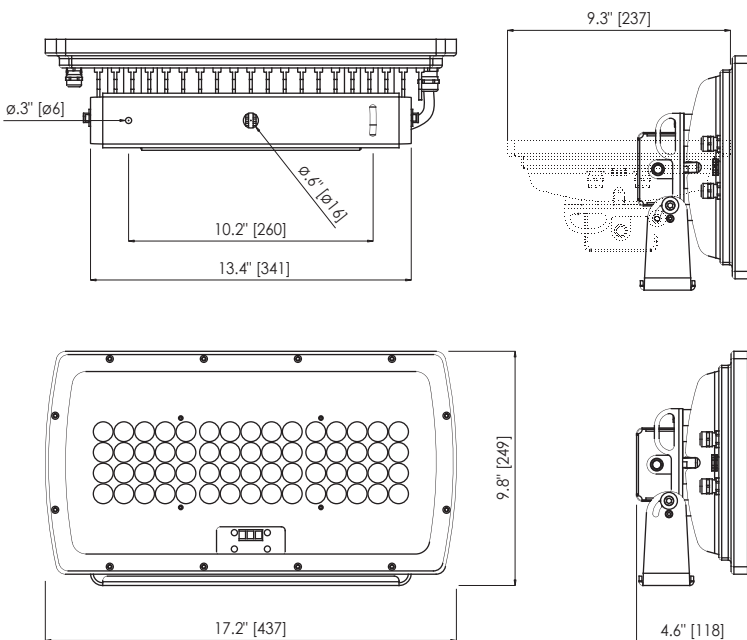
IP66 / IK09 / CE / 

HOW TO ORDER

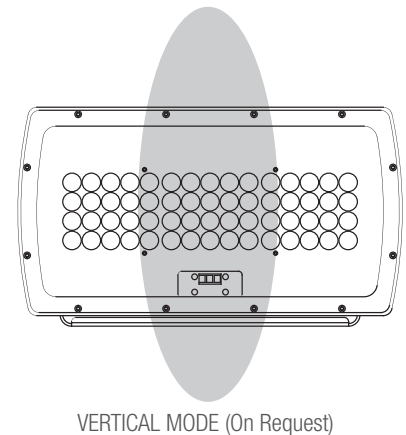
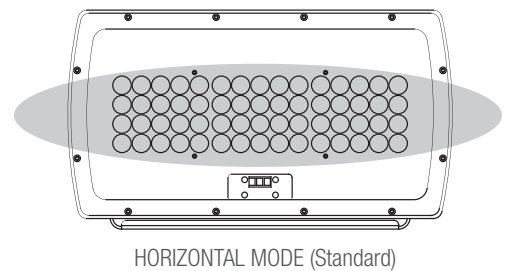
EM437		UNV		(leave blank if symmetric)			
PART	COLOR	VOLTAGE	OPTIC	ORIENTATION*	FINISH	ACCESSORIES	OPTIONS
	RGBW	UNV 100-277V	SP Spot 7°	H Horizontal	SG Silver Gray	BND Barndoor	SD Spreading Diffuser (consult factory)
	CCM Custom Monochrome		NB Narrow 11°	V Vertical	CC Custom Color	FGS Full Glare Shield	
			MB Medium 20°		SGM Silver Gray Marine Grade	AGS Angled Glare Shield	
			WB Wide 43°		CCMG Custom Color Marine Grade		
			EXWB Extra Wide 68°				
			ELLB* Elliptical 41° x 9°				
			ELWB* Elliptical Wide 31° x 21°				

* Specify horizontal or vertical orientation

DIMENSIONAL DRAWINGS



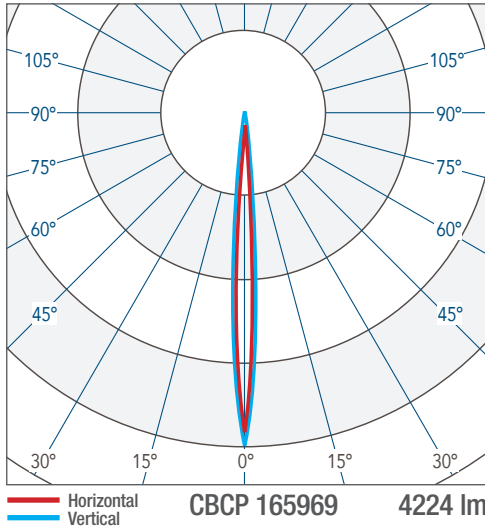
OPTIC ORIENTATION (For Elliptical Beams)



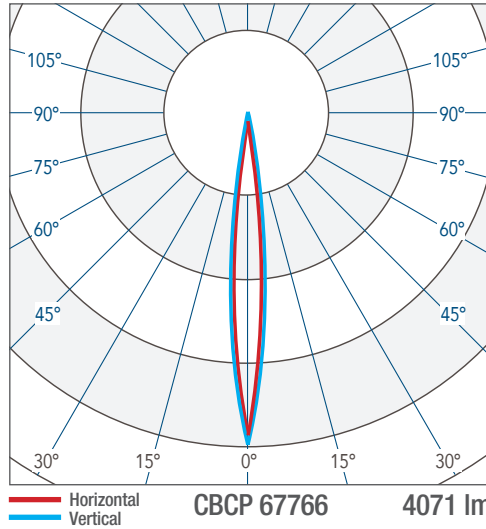
PHOTOMETRICS

CANDELA DISTRIBUTION (Optical data not currently available for Extra Wide 68° optic.)

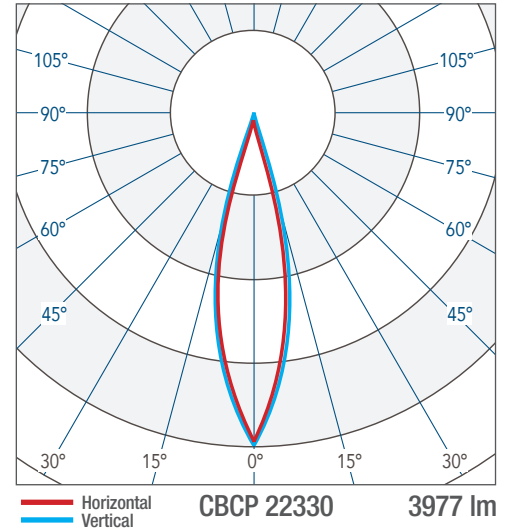
SPOT (RGBW) 7°



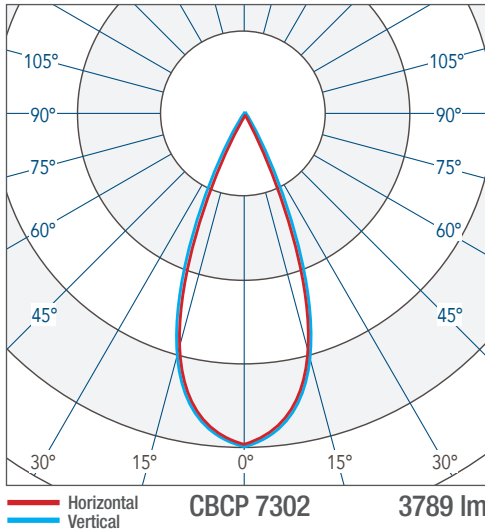
NARROW (RGBW) 11°



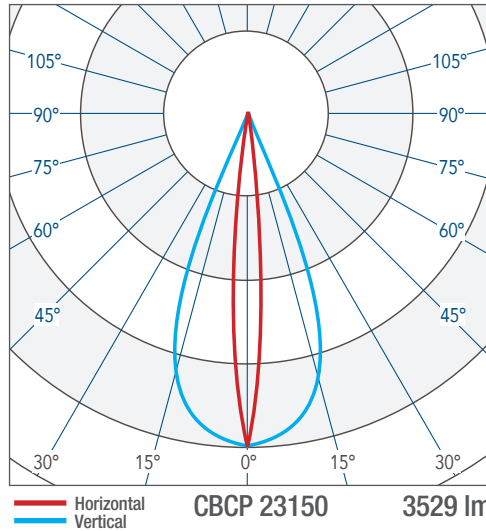
MEDIUM (RGBW) 21°



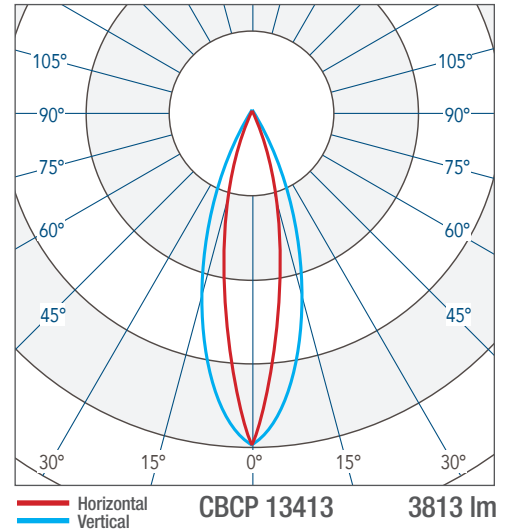
WIDE (RGBW) 43°



ELLIPTICAL (RGBW) 41° x 9°



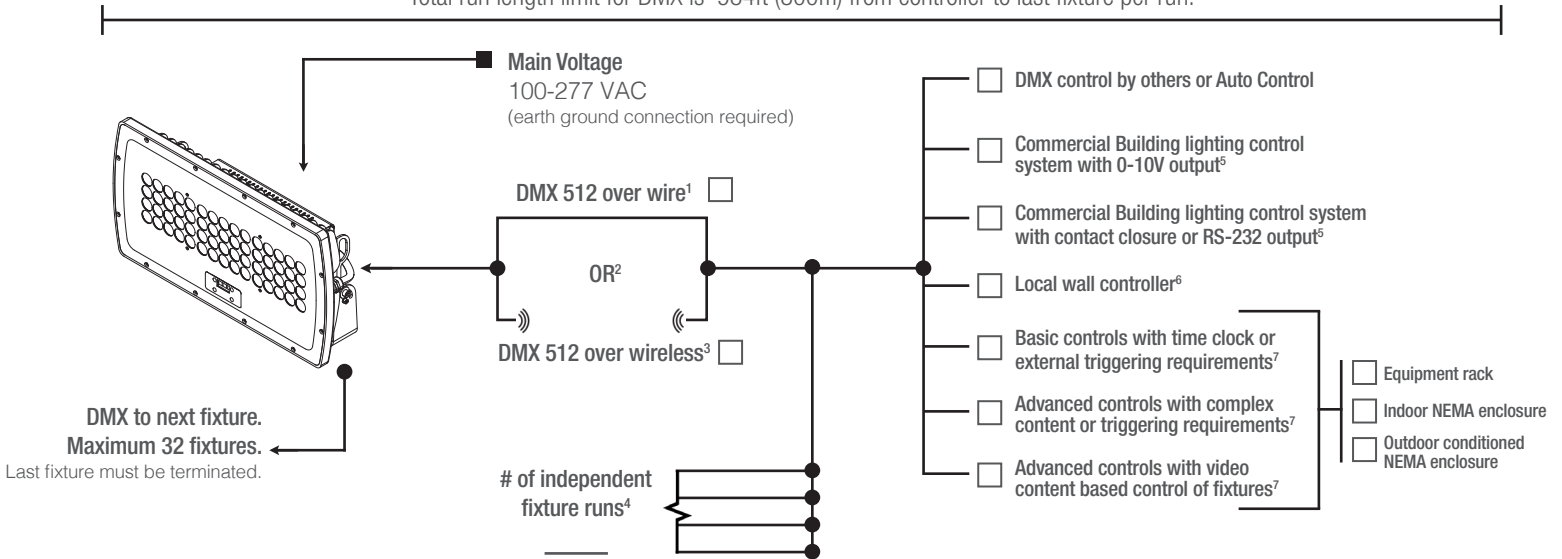
ELLIPTICAL WIDE (RGBW) 38° x 20°



CONTROL OPTIONS (DMX512, PRIMARY CONTROL PLATFORM)

Contact manufacturer for control system development.

Total run length limit for DMX is 984ft (300m) from controller to last fixture per run.



NOTES

1. Wire specifications are available from factory as well as approved wire for purchase.
2. Other control protocol solutions available. Contact factory for more information.
3. Wireless components are external to fixture. Distance limitations based on antennas chosen and site conditions. Contact factory for more information.
4. Based on maximum of 32 fixtures per run as well as any site constraints on conveyance of data.
5. For example: Lutron, Crestron, Encelium, Douglas, ETC by others. Griven control system will interface with building lighting control system.
6. Local wall controller for small applications. Wall controllers specified separately for larger systems.
7. Contact factory for assistance with specification. Onsite commissioning by Griven of control system is required.

PRODUCT OPTIONS



SPREADING DIFFUSER

Die cut spreading diffusers can be added to fixture. Factory sealed in fixture for highest performance and durability. Consult factory.



MARINE GRADE COATING

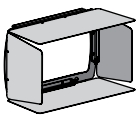
Maximum corrosion resistance for installations near salt or brackish water.



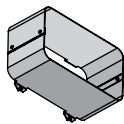
CUSTOM MONOCHROME

Fixtures with dedicated color LEDs available. Contact Griven USA to confirm availability of a custom color.

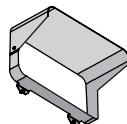
ACCESSORIES



Barndoor



Full Glare Shield



Angled Glare Shield

