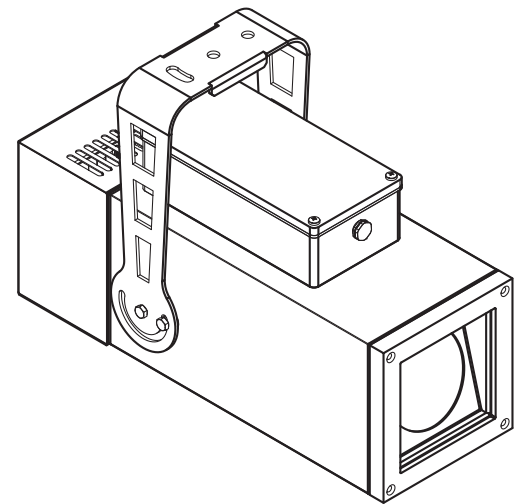


PROJECT	TYPE
SPECIFIER	DATE
ORDER #	QTY

GoboLED projects a bright, accurate rendition of graphic designs or logos through D size dichroic or metal gobos and a single high power LED. Four gobo rotation speeds in clockwise or counter-clockwise directions are possible when using the onboard functions, or fully adjustable when combined with a DMX control system. Gobo indexing is extremely fluid and gobo rotation is silent for operation even in the quietest environments. Accessory gobo available for dynamic effect. The projector features continuous 0 to 100% dimming, strobe effects up to 25 frames per second, and electronic blackout capability. Onboard control functions allow for stand-alone automatic or master-satellite operation with multiple units, or interface with external DMX controllers. Manual focus and beam width tuning from 19° to 35° provides maximum design flexibility for the most demanding applications. The IP65 rated projector is suitable for outdoor or indoor use.

PRODUCT SPECIFICATIONS

LUMEN OUTPUT	2325 lumens @ 19 degrees, 2105 lumens @ 32 degrees; CCT 6100K
EFFICACY	23 lm/W
LUMEN MAINTENANCE	50,000 hours L70 @ 25C
OPERATING TEMPERATURE	-20°C to 40°C (-4°F to 104°F)
HOUSING	Aluminum body with an adjustable mounting yoke
MOUNTING	Yoke mount with locking hinge (custom mounting available upon request)
WEIGHT	19.2 lbs (8.7 Kg)
CERTIFICATION	
INGRESS PROTECTION	Wet location rated IP65 fixture body, IP55 cooling system
IMPACT RATING	IK07
VIBRATION RATING	ANSI C136.31 rated version available
CONTROL	Auto Control, DMX 512, Wireless interfaces available
ADDITIONAL FEATURES	Automatic overtemperature protection / Dipswitches for Control Settings
GOBO SIZE	Size D: Exterior diameter 53.3mm, interior diameter 43mm Accessory gobo Size E: Exterior diameter 37.5mm, interior diameter 28mm Primary gobo rotatable. Accessory gobo static.



ELECTRICAL SPECIFICATIONS

INPUT VOLTAGE	100-240 VAC @ 50-60Hz
POWER CONSUMPTION	100W max
POWER FACTOR	>.95 @ 115VAC, >.85 @ 230VAC

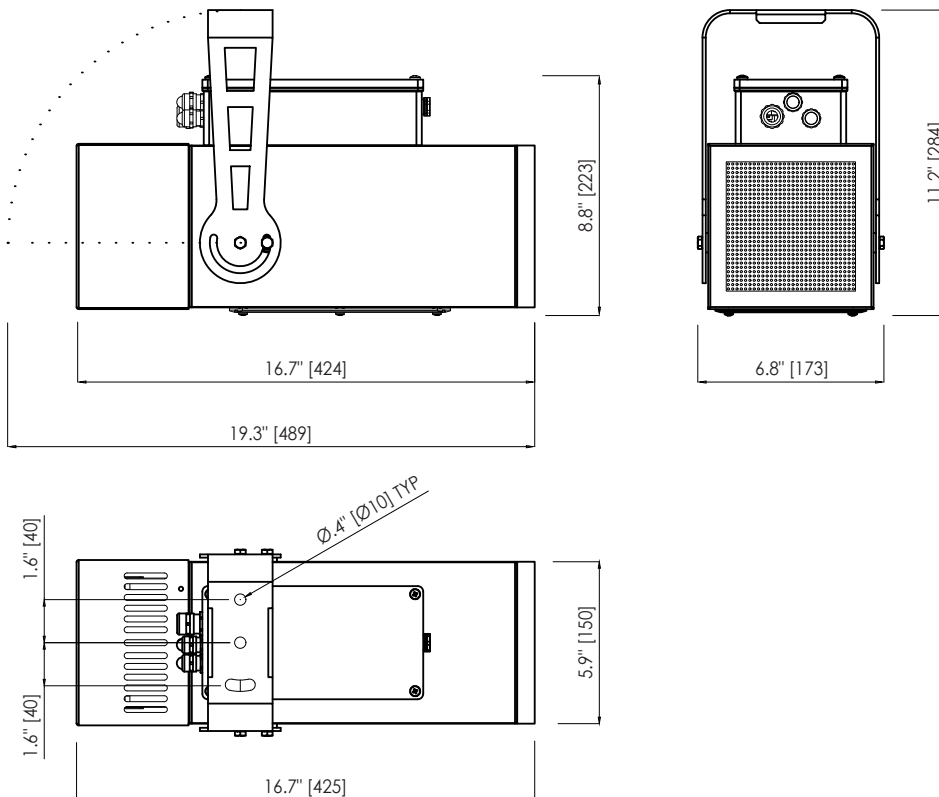
IP65/55 / IK07 / CE / 



HOW TO ORDER

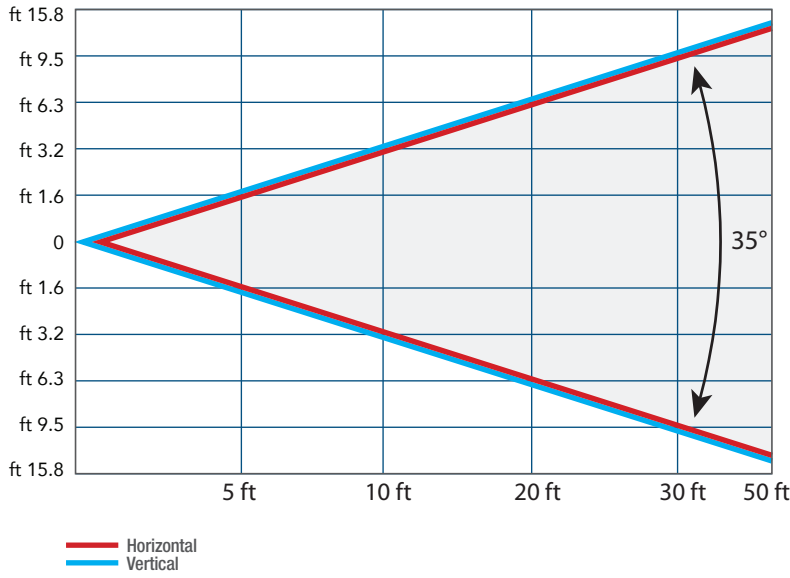
GOB173	UNV			
PART	VOLTAGE	FINISH	ACCESSORY	OPTIONS
	UNV 100-240V	SG Silver Gray	AG Accessory Gobo Holder	3G ANSI C136.31 Vibration Rating
		CC Custom Color		
		SGM Silver Gray Marine Grade		
		CCMG Custom Color Marine Grade		

DIMENSIONAL DRAWINGS



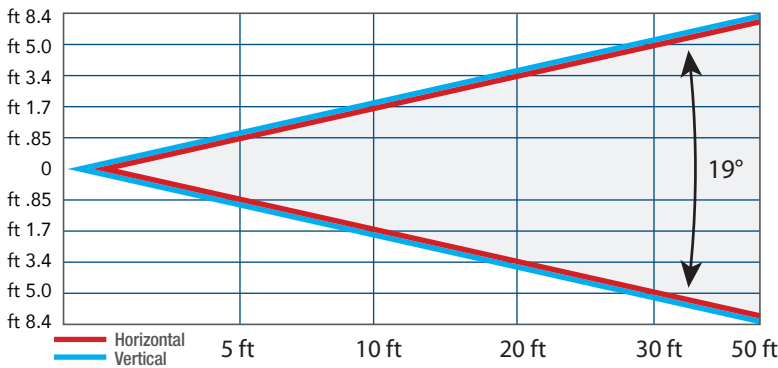
PHOTOMETRICS (without accessory gobo)

35°



	5 ft	10 ft	20 ft	30 ft	50 ft
FC	250	63	28	10	5
Ø (ft)	3.8	7.5	11.3	18.8	28.2

19°



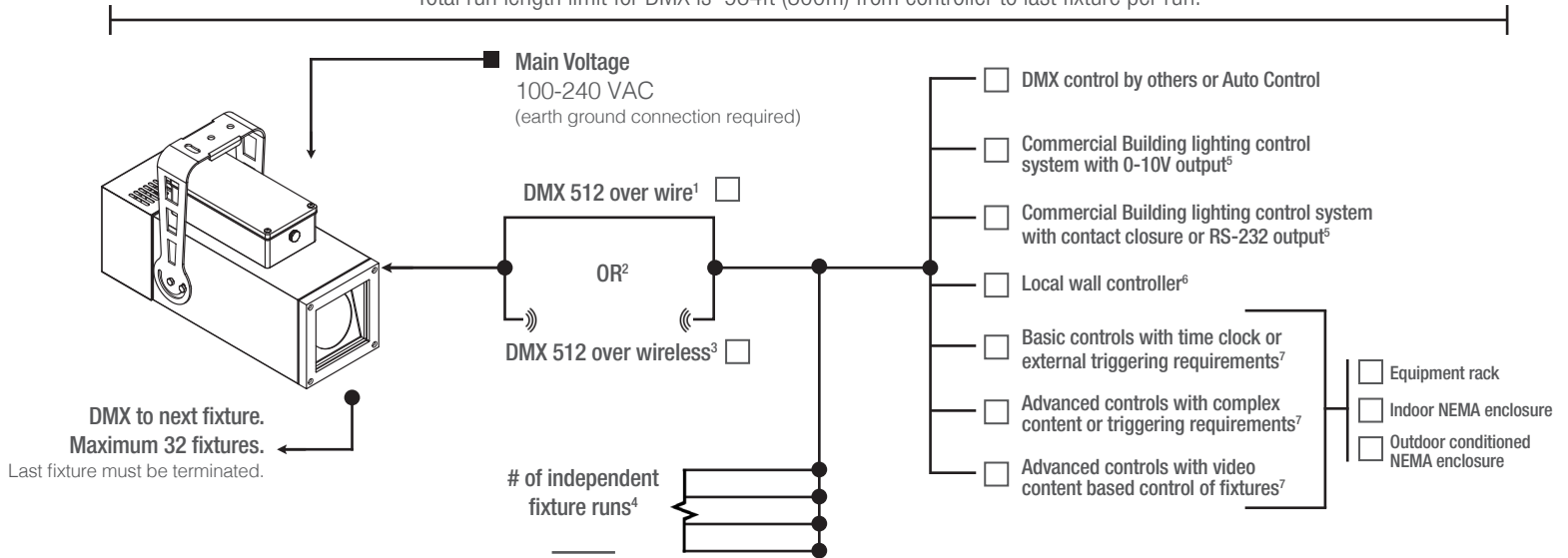
	5 ft	10 ft	20 ft	30 ft	50 ft
FC	581	145	65	23	10.3
Ø (ft)	2.3	4.6	7	11.6	17.4



CONTROL OPTIONS (DMX512, PRIMARY CONTROL PLATFORM)

Contact manufacturer for control system development.

Total run length limit for DMX is 984ft (300m) from controller to last fixture per run.



NOTES

1. Wire specifications are available from factory as well as approved wire for purchase.
2. Other control protocol solutions available. Contact factory for more information.
3. Wireless components are external to fixture. Distance limitations based on antennas chosen and site conditions. Contact factory for more information.
4. Based on maximum of 32 fixtures per run as well as any site constraints on conveyance of data.
5. For example: Lutron, Crestron, Encellium, Douglas, ETC by others. Given control system will interface with building lighting control system.
6. Local wall controller for small applications. Wall controllers specified separately for larger systems.
7. Contact factory for assistance with specification. Onsite commissioning by Given of control system is required.

PRODUCT OPTIONS



MARINE GRADE COATING

Maximum corrosion resistance for installations near salt or brackish water.



ACCESSORY GOBO

Create dynamic effects with the static accessory gobo combined with the rotating primary gobo.

