
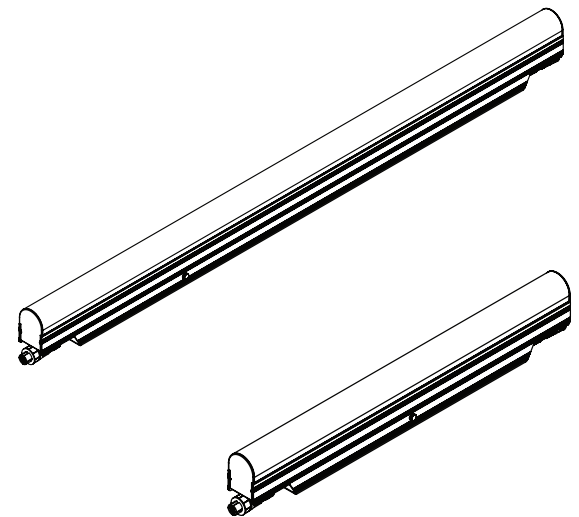


PROJECT	TYPE
SPECIFIER	DATE
ORDER #	QTY

GRAPH-I-LINE is a versatile architectural RGB luminaire for direct view applications. The lightweight weatherproof LED bar is capable of reproducing almost any visual concept from screening of videos to displaying a wide array of graphic patterns when combined with multiple units. The plug and play unit is self-addressing and operates with standard DMX 512 channel protocol, or G-data protocol, which can manage up to 2048 channels. Adjustable control resolution ranges from one inch when the individual LEDs within the luminaire are independently controlled, to one meter when using the luminaire as a single pixel. Polycarbonate lens options include a clear lens for long distance viewing or an opaline diffuser for closer direct view. The luminaire is composed of a light fixture and mounting channel for simplified installation and positioning. Remote 320 watt power supply can operate up to 15 Graph-i-Line 40 luminaires in a single run.

PRODUCT SPECIFICATIONS

LUMEN OUTPUT	195 lumens RGB Graph-I-Line 40
PITCH	0.98" x 1.75" minimum
LUMINANCE	843 cd/m ² (nits)
LUMEN MAINTENANCE	50,000 hours L70 @ 25°C
COLOR	RGB (see pg 4 for customization options)
OPERATING TEMPERATURE	-40°C to 50°C (-40°F to 122°F)
HOUSING	Extruded aluminum body with extruded polymer tube
MOUNTING	Aluminum channel housing that separates from fixture
WEIGHT	GRL540/GRL520: TBD Electronic driver: 8.2 lbs (3.7 Kg)
CERTIFICATION	
INGRESS PROTECTION	Wet location rated IP66
IMPACT RATING	IK10
VIBRATION RATING	ANSI C136.31 rated version available
CONTROL	DMX 512 , G-data (2048 channels), Wireless and 0-10V interfaces available
ADDITIONAL FEATURES	Auto addressing / Automatic overtemperature protection



ELECTRICAL SPECIFICATIONS

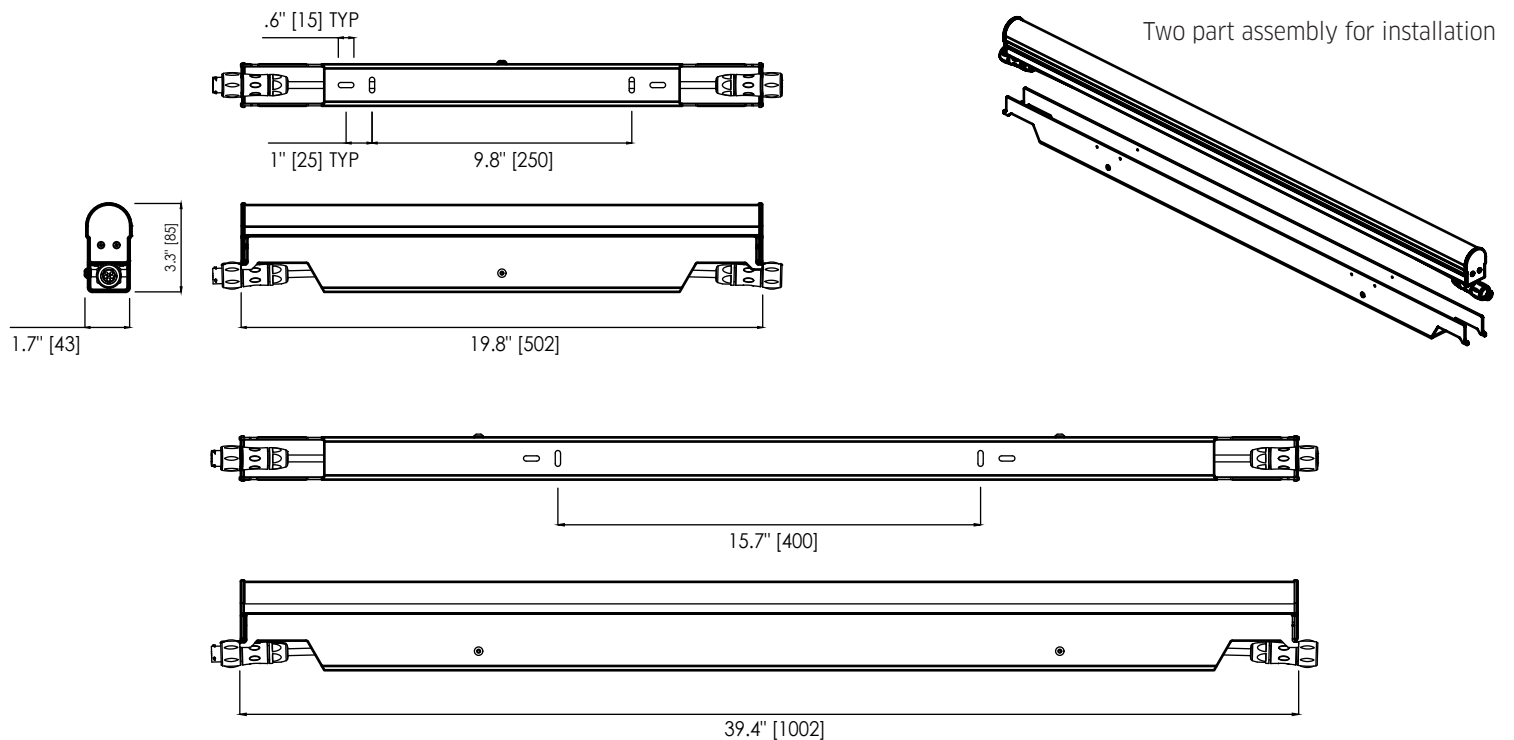
INPUT VOLTAGE	100-277 VAC @ 50-60Hz
POWER CONSUMPTION	5.5W / ft (18W / meter)
POWER FACTOR	>.98 @ 115VAC, >.94 @ 277VAC (power supply)

IP66 / IK10 / CE / 

HOW TO ORDER

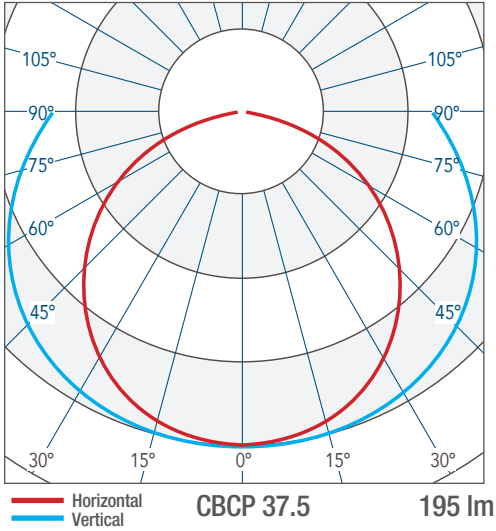
PART	RGB	UNV	OPTICS	FINISH	OPTIONS
GRL540 Graph-I-Line 40	RGB	UNV 100-277V	DO Opaline Dome	SG Silver Gray	3G ANSI C136.31 Vibration Rating
GRL520 Graph-I-Line 20			DC Clear Dome	CC Custom Color	
				SGM Silver Gray Marine Grade	
				CCMG Custom Color Marine Grade	

DIMENSIONAL DRAWINGS



PHOTOMETRICS

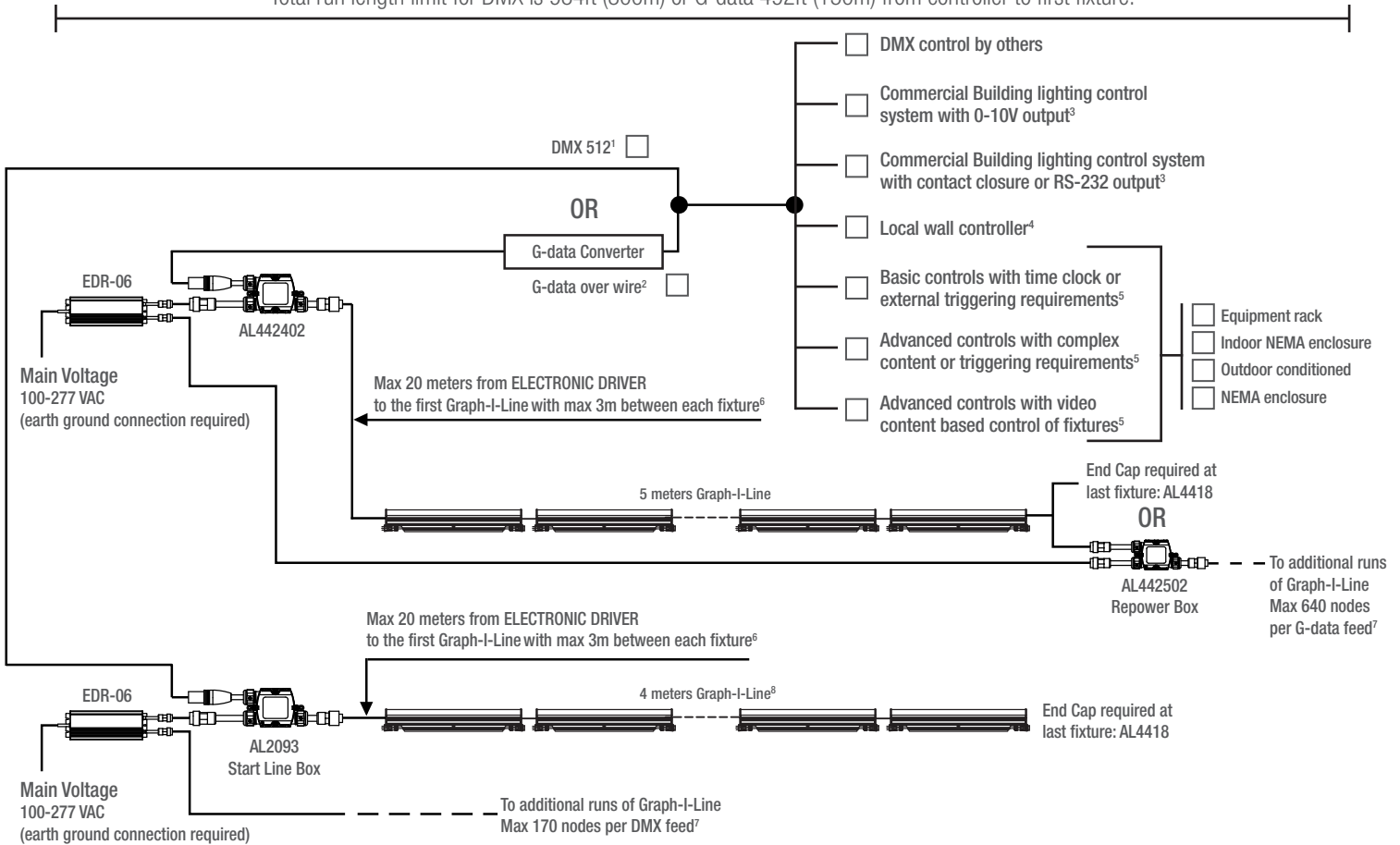
OPALINE DIFFUSER (RGB) 180°



CONTROL OPTIONS

Contact manufacturer for control system development.

Total run length limit for DMX is 984ft (300m) or G-data 492ft (150m) from controller to first fixture.



NOTES

1. Wired or wireless DMX available. Wire specifications are available from factory as well as approved wire for purchase.
2. Given proprietary protocol output from Artnet input. Not available with some control options. Contact factory for more details.
3. For example: Lutron, Crestron, Encelium, Douglas, ETC by others. Given control system will interface with building lighting control system.
4. Local wall controller for small applications. Wall controllers specified separately for larger systems.
5. Contact factory for assistance with specification. Onsite commissioning by Given of control system is required.
6. Based on 1.5mm² cable cross section. Contact factory for assistance in developing alternate configurations.
7. A node is an individually controllable segment. Graph-I-Line has a range of control resolution from 1" to 1m to be specified when ordered. Consult factory regarding control resolution for your application.
8. 4 meter maximum at full resolution. 5 meter maximum at lower resolution.

PRODUCT OPTIONS



MARINE GRADE COATING

Maximum corrosion resistance for installations near salt or brackish water.

