


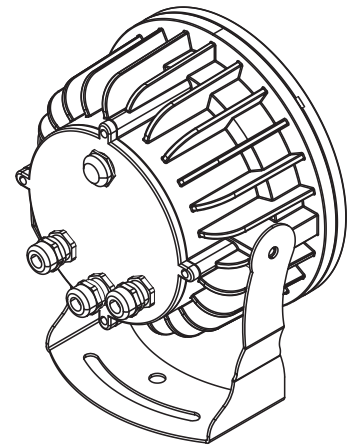
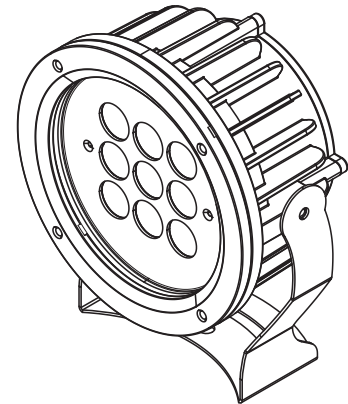
PROJECT	TYPE
SPECIFIER	DATE
ORDER #	QTY

From a compact package, JADE 9 White delivers surprising output in cool or warm white. The accent luminaire is only 6.3" in diameter, yet offers a broad selection of optics ranging from narrow spot to wide elliptical distributions for design flexibility. The luminaire features an integral power supply and on-board controls programmed by a remote infrared controller for stand-alone operation, master-satellite for multiple unit synchronization, or to interface with external DMX controllers. All hardware is stainless steel.

PRODUCT SPECIFICATIONS

LUMEN OUTPUT	2342 lumens @ 12° CW (see pg 3 for output values of all standard colors)
EFFICACY	97.6 (lm/W) CW
LUMEN MAINTENANCE	100,000 hours L70 @ 25°C*
COLOR	CW (6300K), WW (3000K) (see pg 4 for customization options)
OPTICS	12°, 15°, 24°, 44°, 58°, 40°x14°, 38°x23°
OPERATING TEMPERATURE	-40° to 122° F (-40° to 50°C)
HOUSING	Die-cast aluminum body with powder coat
MOUNTING	Yoke mount with locking hinge (custom mounting available upon request)
WEIGHT	4.4 lbs. (2 kg)
CERTIFICATION	
INGRESS PROTECTION	Wet location rated IP66
IMPACT RATING	IK09
VIBRATION RATING	ANSI C136.31 rated version available
CONTROL	Auto Control, DMX 512 (RDM E1.20), Wireless and 0-10V interfaces available
ADDITIONAL FEATURES	Automatic overtemperature protection / IR Remote

* LED life may vary under actual field conditions due to external factors. Lifetime estimates are generated from actual testing in a controlled environment, Griven values are conservatively derived from those numbers.



ELECTRICAL SPECIFICATIONS

INPUT VOLTAGE	100-277 VAC @ 50-60Hz
POWER CONSUMPTION	24W .24A @ 115VAC, .10A @ 277VAC
POWER FACTOR	120V >.9, 277V <.9
PROTECTION	Self-resetting fuse

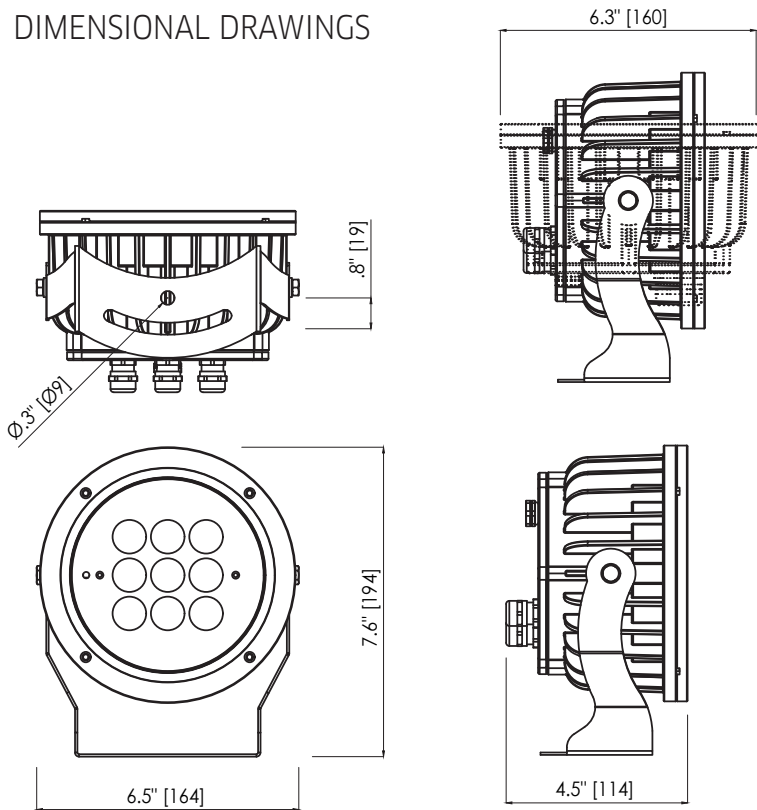
IP66 / IK09 / CE / 

HOW TO ORDER

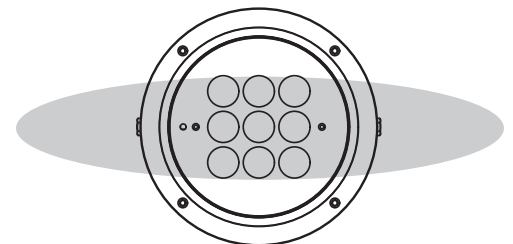
JD964	COLOR	UNV	OPTIC	(leave blank if symmetric)	FINISH	ACCESSORIES	OPTIONS
PART		VOLTAGE		ORIENTATION*			
	CW 6300K	UNV 100-277V	SP Spot 12°	H Horizontal	SG Silver Gray	BND Barndoor	SD Spreading Diffuser (consult factory)
	WW 3000K		NB Narrow 15°	V Vertical	CC Custom Color	FGS Full Glare Shield	3G ANSI C136.31 Vibration Rating
	CCW Custom White		MB Medium 24°		SGM Silver Gray Marine Grade	AGS Angled Glare Shield	
			WB Wide 44°		CCMG Custom Color Marine Grade		
			EXWB Extra Wide 58°				
			ELLB* Elliptical 40° x 14°				
			ELWB* Elliptical Wide 38° x 23°				

* Specify horizontal or vertical orientation

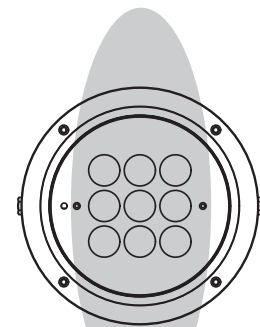
DIMENSIONAL DRAWINGS



OPTIC ORIENTATION (For Elliptical Beams)



HORIZONTAL MODE (Standard)



VERTICAL MODE (On Request)

PHOTOMETRICS

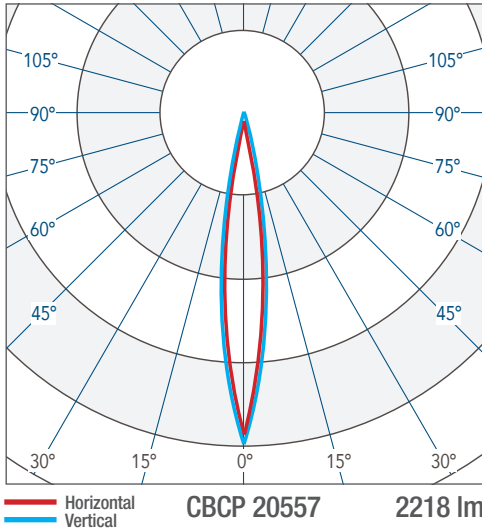
LIGHT OUTPUT

Photometric data based on cool white LEDs. Use multiplier to determine lumen and CBCP output for WW.

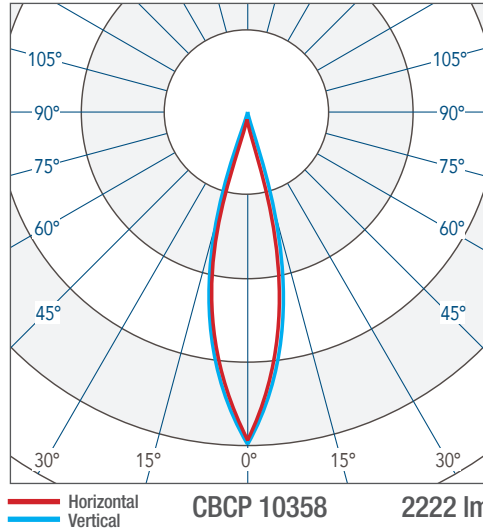
COLOR	OUTPUT MULTIPLIER
CW (6300K)	1.00
WW (3000K)	.94

CANDELA DISTRIBUTION

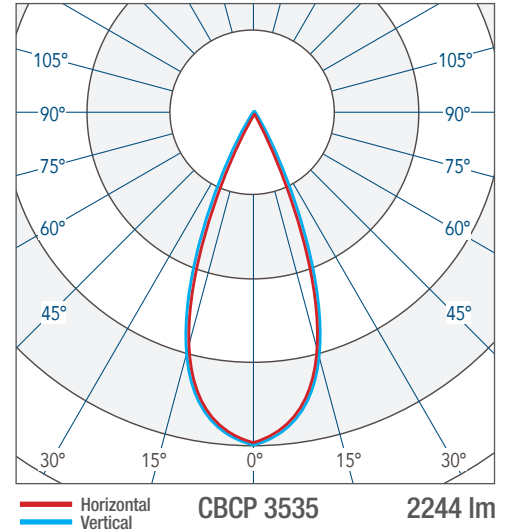
NARROW (CW) 15°



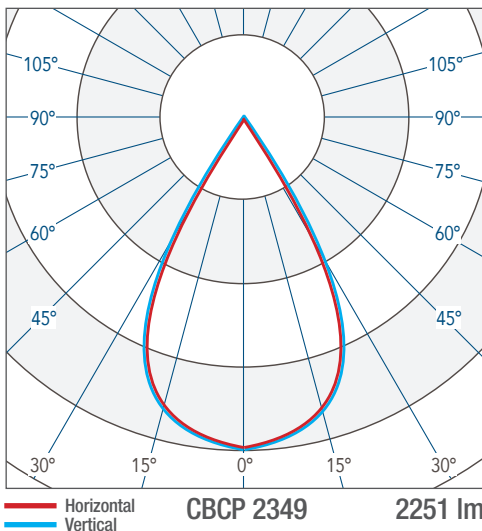
MEDIUM (CW) 24°



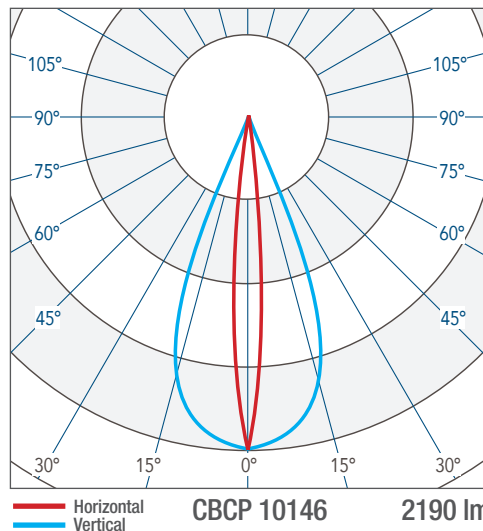
WIDE (CW) 44°



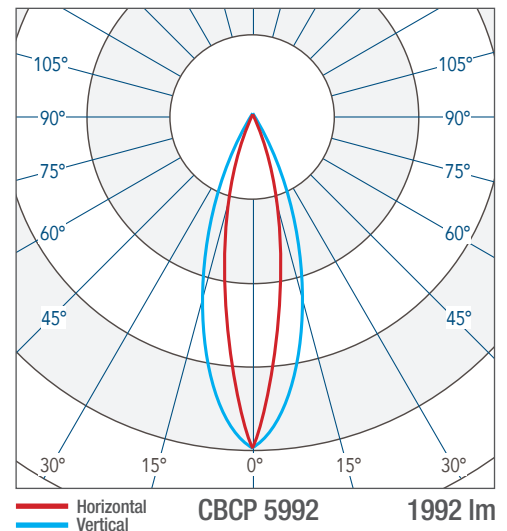
EXTRA WIDE (CW) 58°



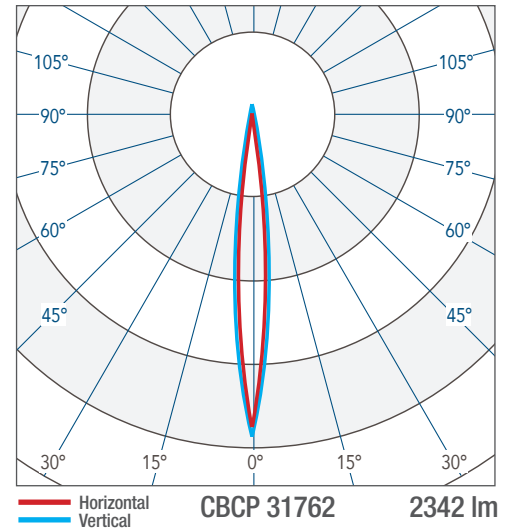
ELLIPTICAL (CW) 40° x 14°



ELLIPTICAL WIDE (CW) 38° x 23°



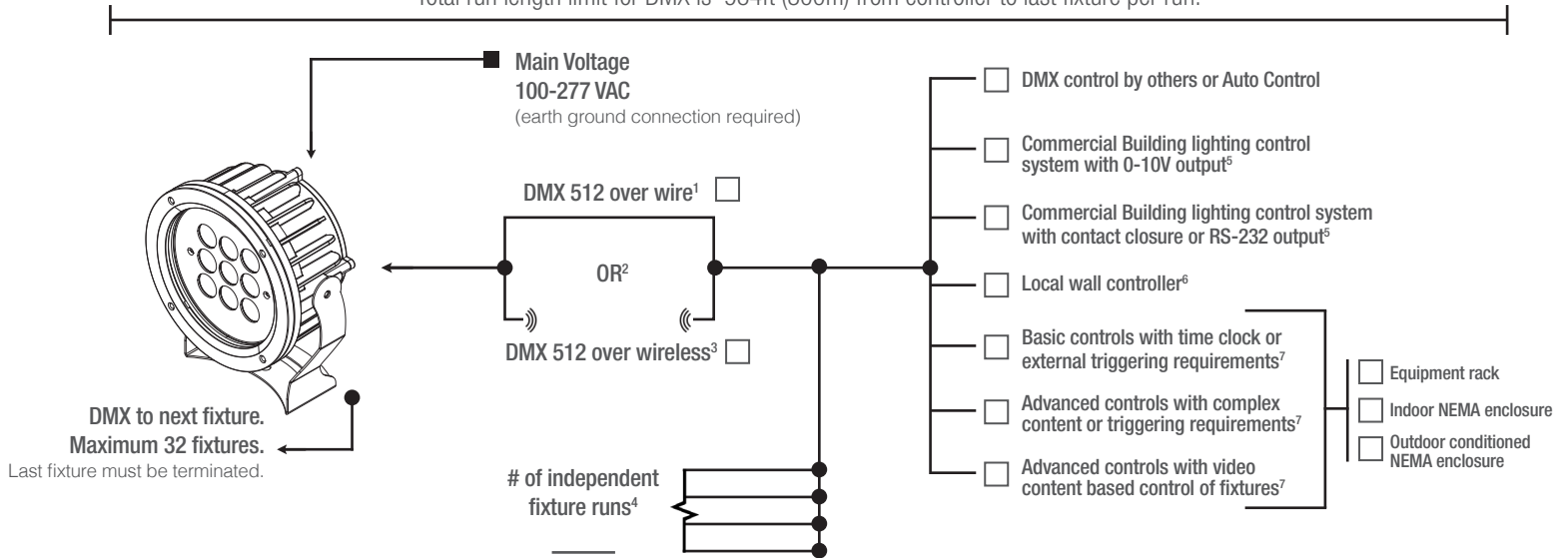
SPOT (CW) 12°



CONTROL OPTIONS (DMX512, PRIMARY CONTROL PLATFORM)

Contact manufacturer for control system development.

Total run length limit for DMX is 984ft (300m) from controller to last fixture per run.



NOTES

1. Wire specifications are available from factory as well as approved wire for purchase.
2. Other control protocol solutions available. Contact factory for more information.
3. Wireless components are external to fixture. Distance limitations based on antennas chosen and site conditions. Contact factory for more information.
4. Based on maximum of 32 fixtures per run as well as any site constraints on conveyance of data.
5. For example: Lutron, Crestron, Encellium, Douglas, ETC by others. Given control system will interface with building lighting control system.
6. Local wall controller for small applications. Wall controllers specified separately for larger systems.
7. Contact factory for assistance with specification. Onsite commissioning by Given of control system is required.

PRODUCT OPTIONS



SPREADING DIFFUSER

Die cut spreading diffusers can be added to fixture. Factory sealed in fixture for highest performance and durability. Consult factory.



MARINE GRADE COATING

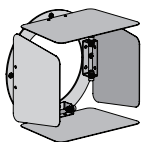
Maximum corrosion resistance for installations near salt or brackish water.



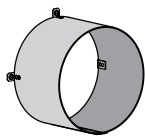
CUSTOM WHITE LIGHT

Choose the white light you need for your project. Contact Given USA to confirm availability of a custom CCT.

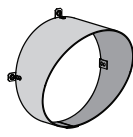
ACCESSORIES



Barndoor



Full Glare Shield



Angled Glare Shield

