

JUPITER MC

RGBW



DESCRIPTION

JUPITER MC uses quad-color LEDs for superior color mixing directly at the lens. The multichip LED configuration is an efficient combination of powerful RGB with 4000K White multichip LEDs and unparalleled optical lenses, delivering seamless light distribution and smooth color transitioning without color separation. The luminaire is lightweight and compact with distinctive aesthetics for unobtrusive installation into a wide variety of settings. Options include a 3G mounting bracket, visors, and snoots.



IP67/ IK07 / CE / /

Date: _____ Type: _____ Catalog Number: _____

Project Name: _____

ORDERING INFORMATION

LUMINAIRE							
MODEL	LED	CONTROL †	VOLTAGE	OPTICS *	FINISH **	CABLE	OPTIONS
JUPI-MC Jupiter MC with integral driver	RGBW RGBW (4000K White)	DMX/RDM DMX/RDM	UNV 120-277V	SP Spot 7°	AG Anthracite Gray (RAL7016)	S Power In, DMX In, DMX Out, no connectors	3G 3G Mounting Yoke
				NB Narrow 9°	BL Black (RAL9005)	M Monocable only	
				MB Medium 25°	SG Griven Silver Grey	C Monocable with connectors	
				WB Wide 36°	WH White (RAL9003)		
					CC Custom Color (RAL Finish)		

* Contact factory for internal spreading diffusers

** Contact factory for marine grade finishes

LIGHT CONTROL ACCESSORIES

AL8281	Visor
AL8282	Snoot
AL1321†	Infrared Remote Control

† Unless an RDM compatible control is used, the AL1321 Infrared Remote Control must be ordered.



AL8281 Visor



AL8282 Snoot



AL1321 Remote Control†

		JUPITER MC		
PHYSICAL	HOUSING	Die-cast aluminum housing, clear tempered glass lens		
	HOUSING SIZE	7.3"w x 8.8"h x 5.3"d		
	WEIGHT	6.6 lbs		
	EPA	0.32 ft ²		
PHOTOMETRIC	LED	RGBW (4000K White)		
	# LEDES	16		
	L70 LUMEN MAINTENANCE	100,000 Hours @ 25°C		
	# DISTRIBUTIONS	Ten		
	VERTICAL AIMING CAPABILITY	+/- 90°		
	LIGHT CONTROL ACCESSORIES	Internal Honeycomb Louver		
LIGHT DISTRIBUTIONS *	DISTRIBUTION	BEAM ANGLE	LUMENS	MAX CANDELA
	SPOT	7°	1185	49,657
	NARROW	9°	1149	28,090
	MEDIUM	25°	1131	6,329
	WIDE	36°	1123	3,123
* Values based on full RGBW output				
ELECTRICAL	POWER CONSUMPTION	38 watts maximum		
	AMPERAGE	0.32A @ 120VAC 0.14A @ 277VAC		
	EFFICACY	Up to 38 lumens per watt		
	LUMEN OUTPUT	1123 to 1185 lumens		
	CONTROL PROTOCOLS *	DMX/RDM Automatic Master-Satellite		
	OPERATING TEMPERATURE	-40°C to 50°C (-40°F to 122°F)		
* See separate DMX Mode Application Sheet				
CERTIFICATIONS	SAFETY	ETL Listed for Wet Locations		
	INGRESS PROTECTION	IP67		
	IMPACT RATING	IK07		
	EUROPEAN	CE / RoHS		
ACCESSORIES	VISOR	AL8281		
	SNOOT	AL8282		
	INFRARED REMOTE CONTROL †	AL1321		

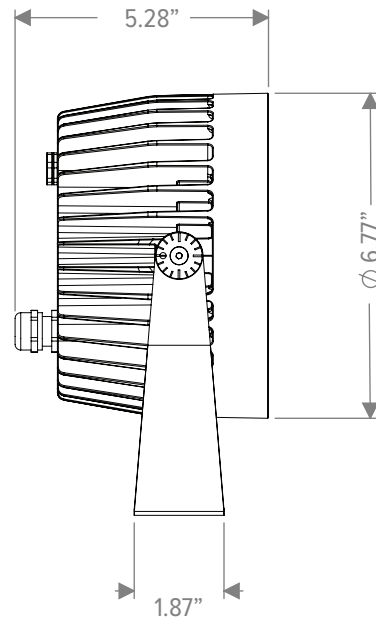
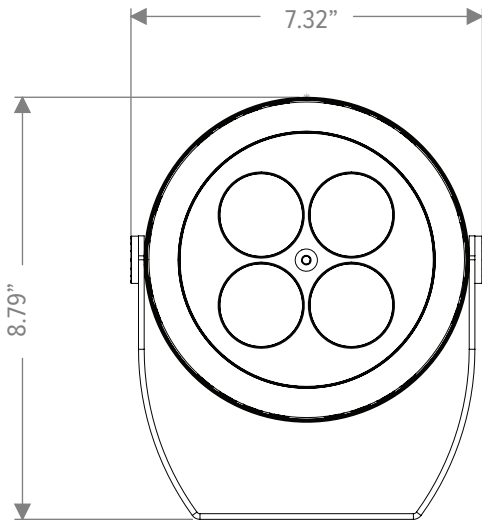
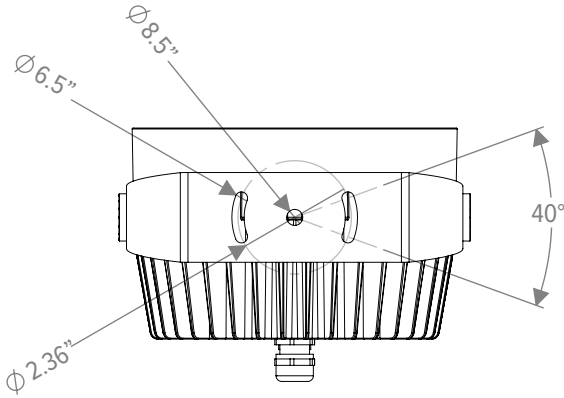
† Unless an RDM compatible control is used, the AL1321 Infrared Remote Control must be ordered.

JUPITER MC

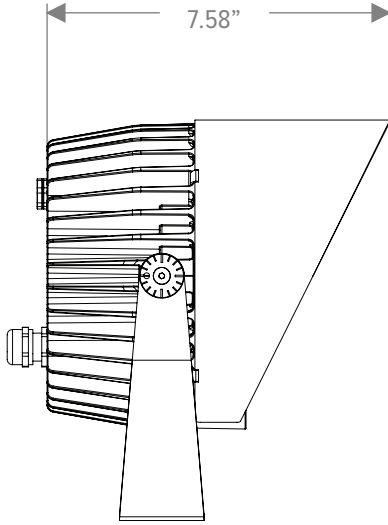
RGBW



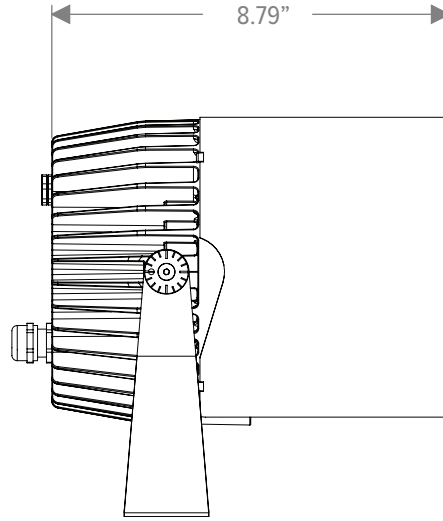
DIMENSIONS All dimensions are shown in inches unless otherwise noted.



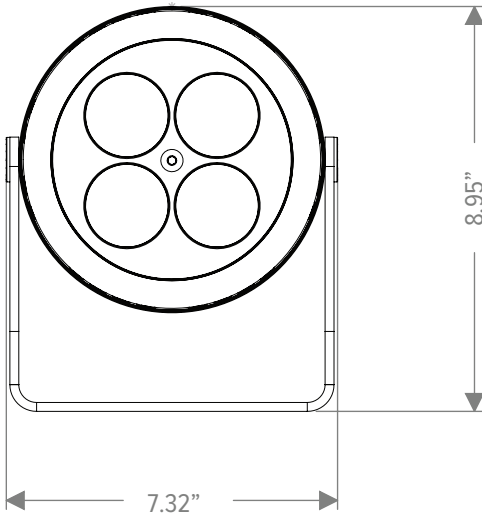
DIMENSIONS All dimensions are shown in inches unless otherwise noted.



With Visor AL8281



With Snoot AL8282



With 3G Bracket

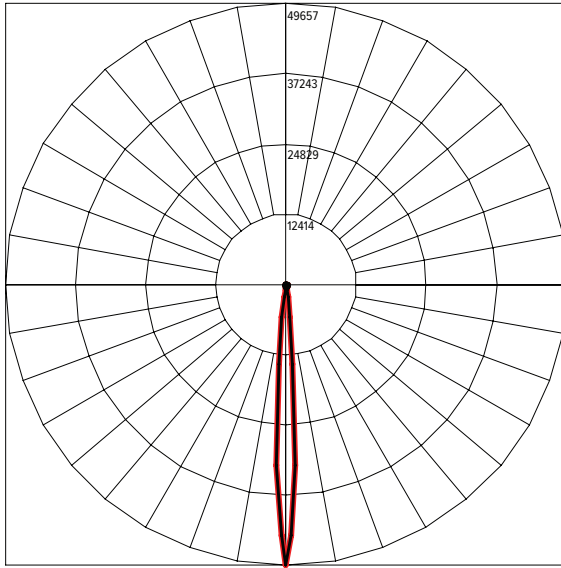
PHOTOMETRICS

CANDELA DISTRIBUTION

— HORIZONTAL
— VERTICAL

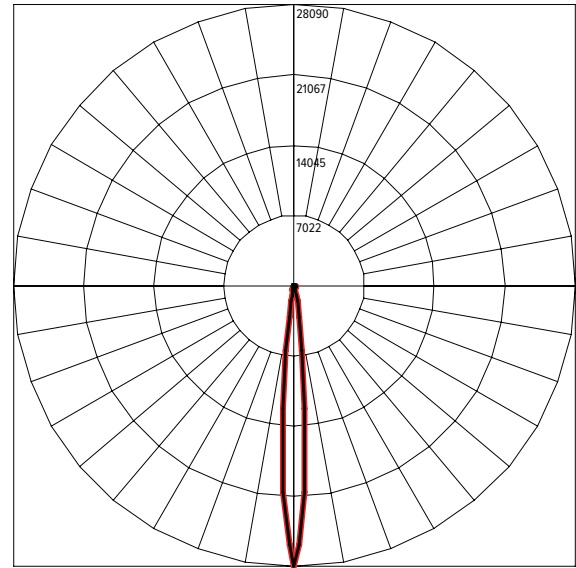
SPOT 7°

Maximum Candela = 49,567 / 1185 lms



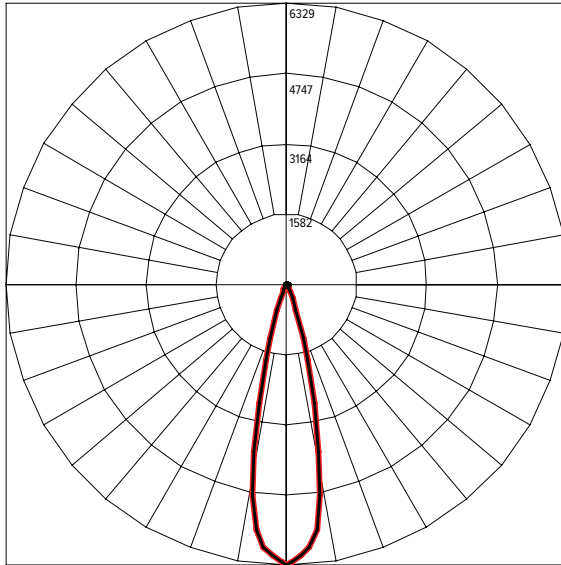
NARROW 9°

Maximum Candela = 28,090 / 1149 lms



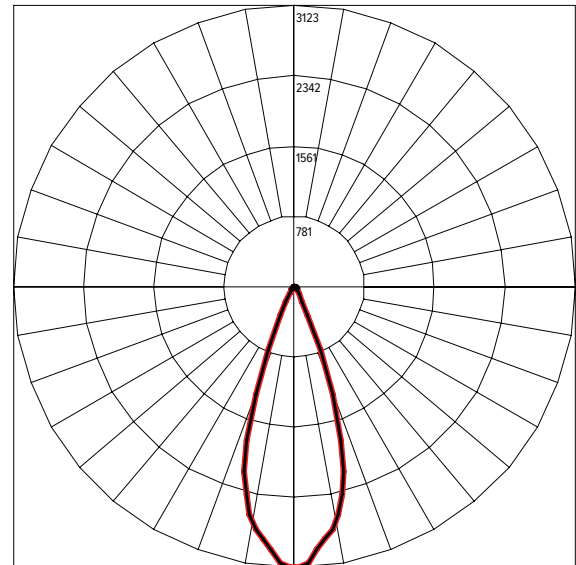
MEDIUM 25°

Maximum Candela = 6,329 / 1131 lms



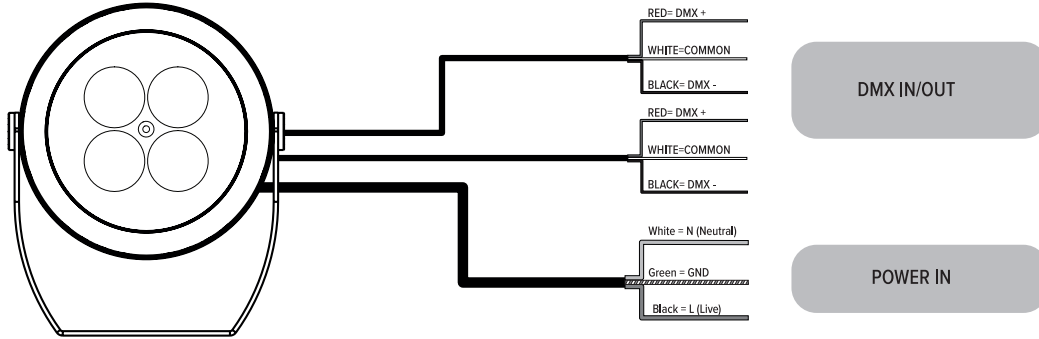
WIDE 36°

Maximum Candela = 3,123 / 1123 lms

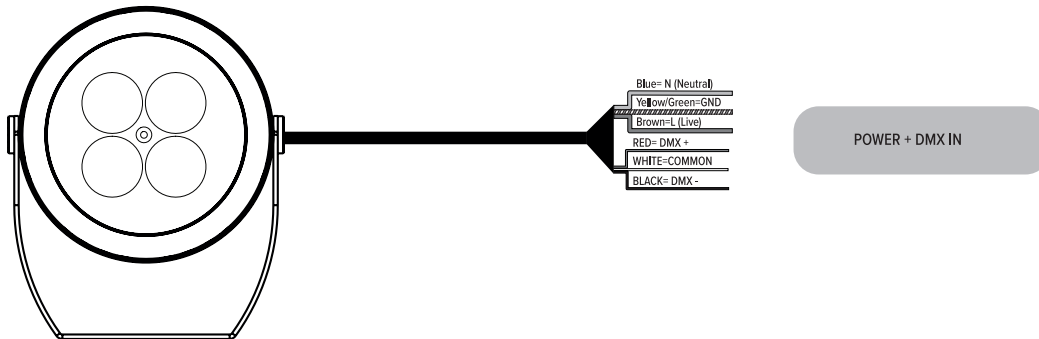


CONNECTIONS

“S” type cable (Power in, DMX In, DMX Out)



“M” type cable (Monocable without connectors)



“C” type cable (Monocable + connectors)

