

**DESCRIPTION**

MICRO-CLIP MC highlights landscapes and finer exterior or interior architectural details from a compact die-cast aluminum luminaire package. The 5" diameter spotlight features three quad-color LEDs for optimum color blending of RGBW, RGBA, and dynamic white light sources in narrow, medium, and wide distributions. It is suitable for accenting or providing an additional layer of light to scenes for added visual interest. Remote power supply allows multiple fixtures per supply and keeps housing as compact as possible for maximum design flexibility. Options and accessories include marine grade finish and full or angled glare shields for additional light control. The IP65 rated luminaire is suitable for wet locations. Power consumption is 13.5 watts. All hardware is stainless steel.



Date: \_\_\_\_\_ Type: \_\_\_\_\_ Catalog Number: \_\_\_\_\_

Project Name: \_\_\_\_\_

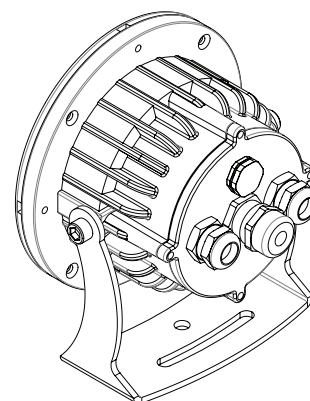
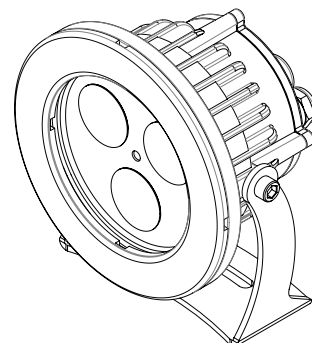
**ORDERING INFORMATION**

LUMINAIRE					
MODEL	COLOR	VOLTAGE	OPTIC	FINISH	OPTION
MC128 Micro-Clip MC	RGBW - RGB with 4000K White	UNV - 24-48v DC	NB - Narrow 16°	AG - Anthracite Grey (RAL7016)	MG - Marine Grade Finish
	RGBA - RGB with Amber		MB - Medium 29°	BLK - Black (RAL9005)	SD - Spreading Diffuser
	DW- Dynamic White (3000K-6500K)		WB - Wide 36°	SG - Griven Silver Grey	
				WH - White (RAL9003)	
				CC - Custom Color	

ACCESSORIES - MOUNTING	ACCESSORIES - LIGHT CONTROL
AL8215- 120MM (4.7") Yoke	AL4125- Full Glare Shield
AL8216- 200MM (7.9") Yoke	AL4126- Angled Glare Shield
AL8217- 300MM (11.8") Yoke	

## PRODUCT SPECIFICATIONS

Lumen Output (RGBW)	357 lms @ 16° / 339 lms @ 29° / 245 lms @ 36°
Efficacy	26.4 lm/W RGBW
Lumen Maintenance	100,000 hours L70 @ 25° C*
Color	RGBW (4000K White), RGBA (Amber), Dynamic White (3000K-6500K)
Optics	Narrow 16°, Medium 29°, Wide 36°
Operating Temperature	-40° to 122° F (-40° to 50° C)
Housing	Die-cast aluminum body with powder coat
Mounting	Yoke mount with locking hinge
Weight	1.43 lbs. (.65 kg)
Certification	IK07 / CE / 
Ingress Protection	Wet location rated IP65
Control	DMX 512 (RDM E1.20), Wireless and 0-10V interfaces available
Additional Features	Automatic overtemperature protection



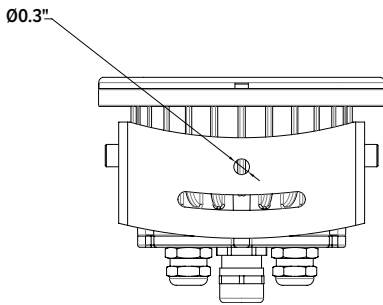
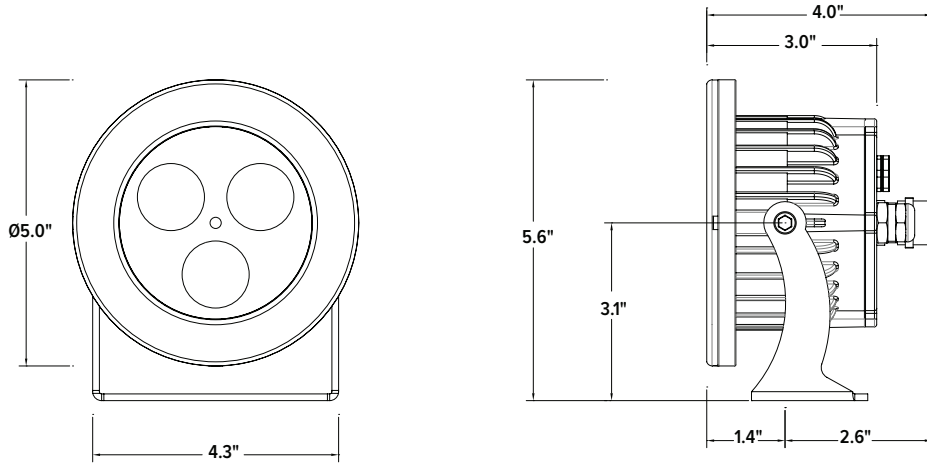
\* LED life may vary under actual field conditions due to external factors. Lifetime estimates are generated from actual testing in a controlled environment. Given values are conservatively derived from those numbers.

## ELECTRICAL SPECIFICATIONS

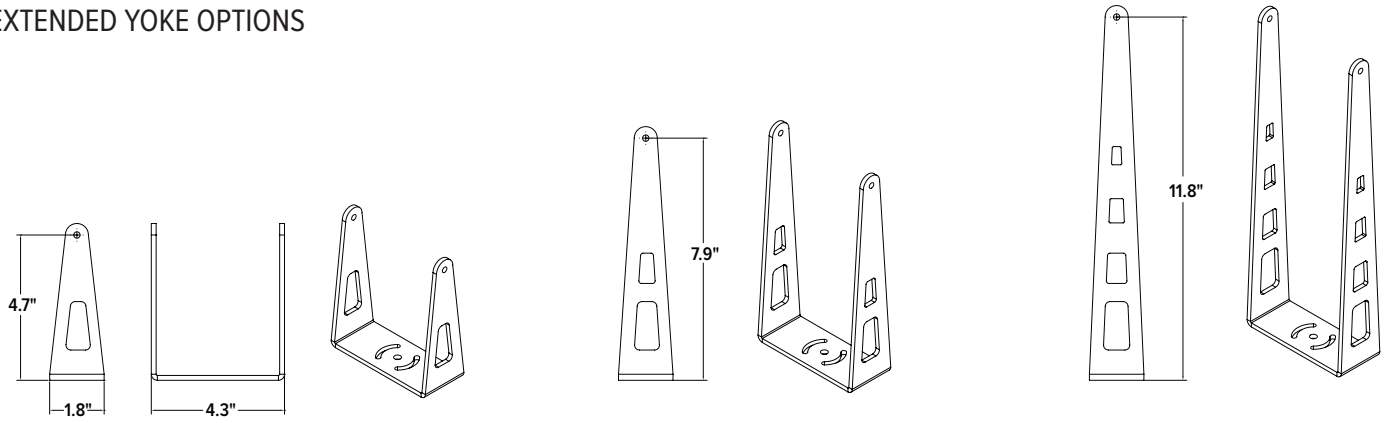
Input Voltage	24-48v DC
Power Consumption	13.5W per unit

DIMENSIONS & OPTIC ORIENTATION

All dimensions are shown in inches unless otherwise noted.



EXTENDED YOKE OPTIONS



AL8215  
 120mm (4.7") Yoke

AL8216  
 200mm (7.9") Yoke

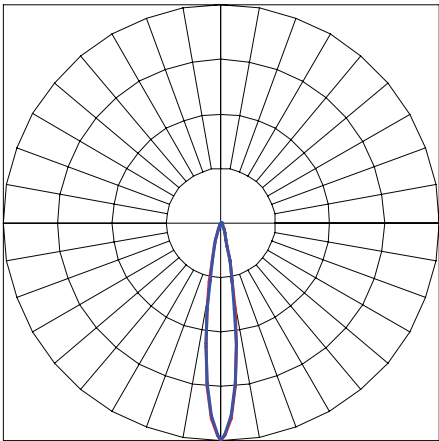
AL8217  
 300mm (11.8") Yoke

PHOTOMETRICS

Photometric data based on RGBW LEDs

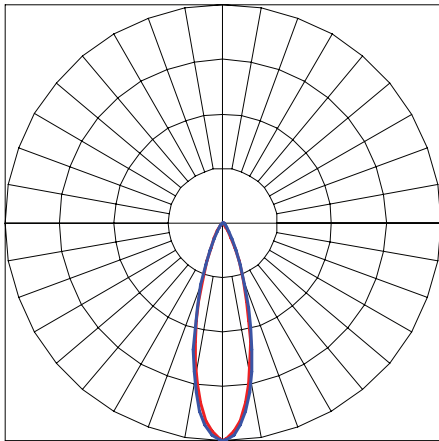
CANDELA DISTRIBUTION

NARROW 16°



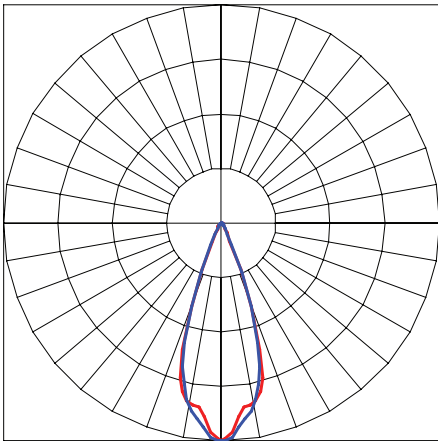
— HORIZONTAL  
— VERTICAL  
CBCP 3305 / 357 LM

MEDIUM 29°



— HORIZONTAL  
— VERTICAL  
CBCP 1061 / 339 LM

WIDE 36°



— HORIZONTAL  
— VERTICAL  
CBCP 681 / 245 LM