

**DESCRIPTION**

MICRO-DUNE MC accentuates finer exterior or interior architectural details and landscapes from a compact recessed ingrade luminaire. The 5.9" diameter luminaire features three quad-color LEDs for optimum color blending of RGBW, RGBA, or dynamic white in narrow, medium, or wide distributions. The luminaire is suitable for accenting or providing an additional layer of light to scenes for added visual interest. Remote power supply allows multiple fixtures per supply and keeps housing as compact as possible for maximum design flexibility. The IP67 rated luminaire is suitable for wet locations. Power consumption is 13.5 watts. All hardware is stainless steel.



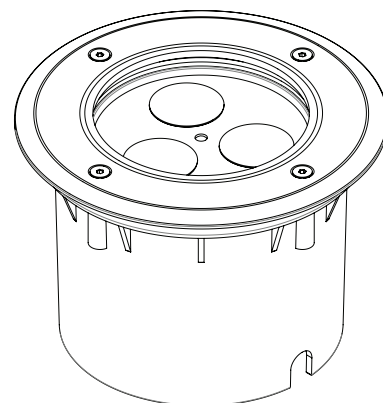
|  |
|--|
| Date: _____ Type: _____ Catalog Number: _____<br><br>Project Name: _____ |
|--|

**ORDERING INFORMATION**

| LUMINAIRE                     |  |                            |                           |                                   |
|-------------------------------|--|----------------------------|---------------------------|-----------------------------------|
| MODEL                         | COLOR  | VOLTAGE                    | OPTIC                     | OPTION                            |
| <b>MC150</b><br>Micro-Dune MC | <b>RGBW -</b><br>RGB with 4000K White        | <b>UNV -</b><br>24-48vv DC | <b>NB -</b><br>Narrow 16° | <b>SD -</b><br>Spreading Diffuser |
|                               | <b>RGBA -</b><br>RGB with Amber              |                            | <b>MB -</b><br>Medium 29° |                                   |
|                               | <b>DW-</b><br>Dynamic White<br>(3000K-6500K) |                            | <b>WB -</b><br>Wide 36°   |                                   |

PRODUCT SPECIFICATIONS

|                       |   |
|-----------------------|---|
| Lumen Output (RGBW)   | 357 lms @ 16° / 339 lms @ 29° / 245 lms @ 36°                 |
| Efficacy              | 26.4 lm/W RGBW  |
| Lumen Maintenance     | 100,000 hours L70 @ 25° C*                                    |
| Color                 | RGBW (4000K White), RGBA (Amber), Dynamic White (3000K-6500K) |
| Optics                | Narrow 16°, Medium 29°, Wide 36°                              |
| Operating Temperature | -40° to 122° F (-40° to 50° C)                                |
| Housing               | Die-cast aluminum body with powder coat                       |
| Mounting              | Recessed ingrade  |
| Weight                | 1.43 lbs. (.65 kg)  |
| Certification         | <b>IK08</b> / <b>CE</b> / <b>CS</b> <sub>US</sub>             |
| Ingress Protection    | Wet location rated IP67                                       |
| Control               | DMX 512 (RDM E1.20), Wireless and 0-10V interfaces available  |
| Additional Features   | Automatic overtemperature protection                          |



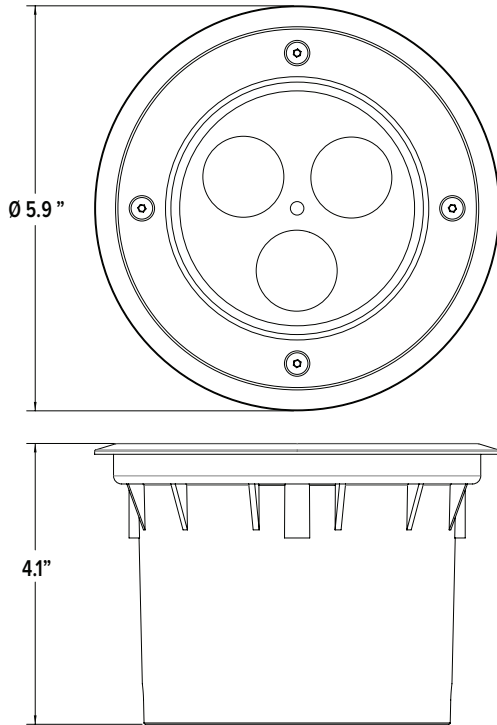
\* LED life may vary under actual field conditions due to external factors. Lifetime estimates are generated from actual testing in a controlled environment. Griven values are conservatively derived from those numbers.

ELECTRICAL SPECIFICATIONS

|                   |                |
|-------------------|----------------|
| Input Voltage     | 24-48v DC      |
| Power Consumption | 13.5W per unit |

**DIMENSIONS**

All dimensions are shown in inches unless otherwise noted.

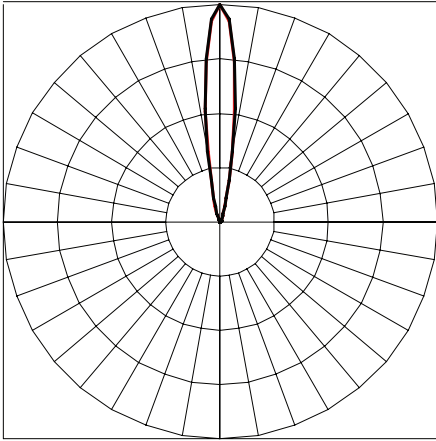


PHOTOMETRICS

Photometric data based on RGBW LEDs

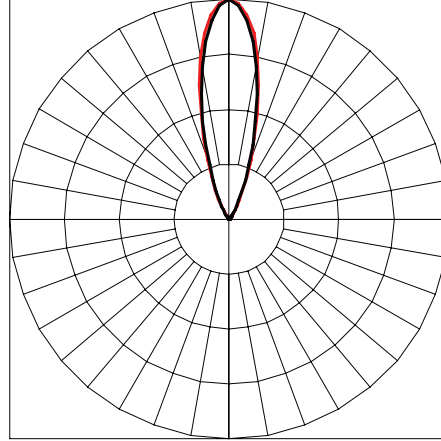
CANDELA DISTRIBUTION

NARROW 16°



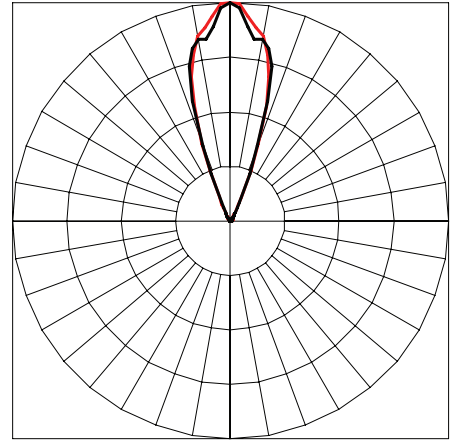
— HORIZONTAL  
— VERTICAL      CBCP 3305 / 357 LM

MEDIUM 29°



— HORIZONTAL  
— VERTICAL      CBCP 1061 / 339 LM

WIDE 36°



— HORIZONTAL  
— VERTICAL      CBCP 681 / 245 LM