

PROJECT	TYPE
SPECIFIER	DATE
ORDER #	QTY

ONYX sets the standard for ultra-narrow beam projectors where precise and uniform illumination at long distances is required. The projector combines 96 high power LEDs in RGBW with specialized optics to produce a very narrow 4° beam. The LED driver is thermally isolated in a separate compartment for enhanced longevity. On-board control panel allows for stand-alone or master-satellite operation, as well as interface to external DMX controllers. Accessories for light control are available. All hardware is stainless steel.

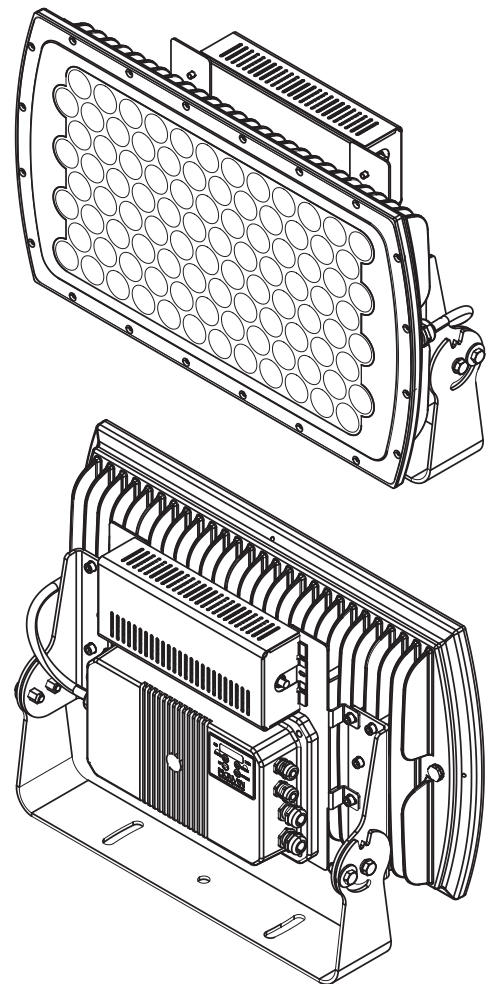
PRODUCT SPECIFICATIONS

LUMEN OUTPUT	12785 lumens @ 4.4° RGBW (see pg 3 for output values of all standard colors)
EFFICACY	41.2 (lm/W) RGBW
LUMEN MAINTENANCE	100,000 hours L70 @ 25°C*
COLOR	RGBW (6500K white) (see pg 4 for customization options)
OPTICS	4.4°
OPERATING TEMPERATURE	-40° to 122° F (-40° to 50°C)
HOUSING	Die-cast aluminum body with powder coat
MOUNTING	Yoke mount with locking hinge (custom mounting available upon request)
WEIGHT	39 lbs. (17.7 kg)
CERTIFICATION	
INGRESS PROTECTION	Wet location rated IP65
IMPACT RATING	IK10
VIBRATION RATING	ANSI C136.31 rated version available
CONTROL	Auto Control, DMX 512 (RDM E1.20), Wireless and 0-10V interfaces available
ADDITIONAL FEATURES	Automatic overtemperature protection / Keypad interface

* LED life may vary under actual field conditions due to external factors. Lifetime estimates are generated from actual testing in a controlled environment, Griven values are conservatively derived from those numbers.

ELECTRICAL SPECIFICATIONS

INPUT VOLTAGE	100-277 VAC @ 50-60Hz
POWER CONSUMPTION	310W 3.18A @ 115VAC, 1.15A @ 277VAC
POWER FACTOR	>.98 @ 115VAC, >.94 @ 277VAC
PROTECTION	Self-resetting fuse



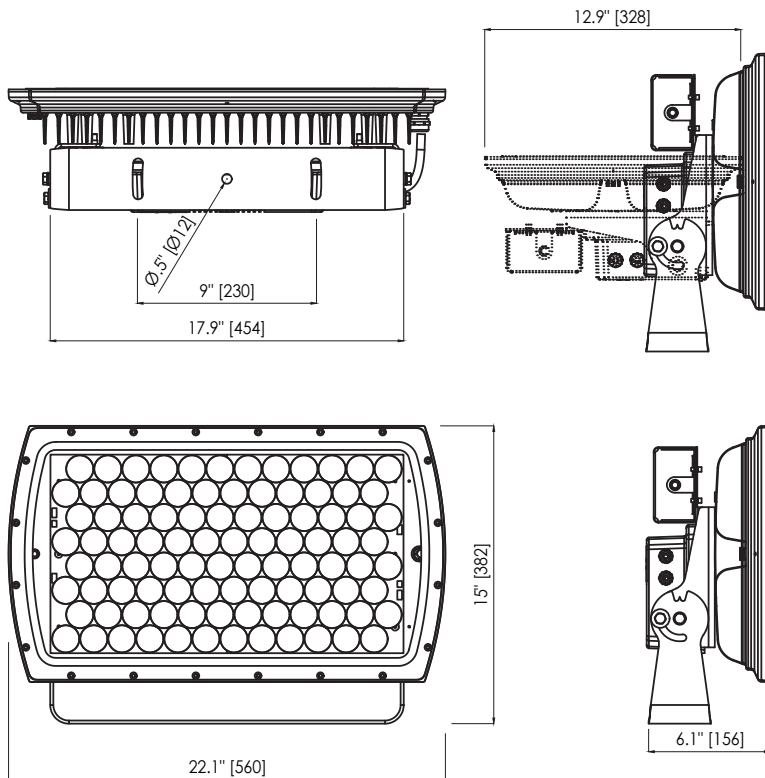
IP66 / IK10 / CE / 



HOW TO ORDER

OX561		UNV	US			
PART	COLOR	VOLTAGE	OPTIC	FINISH	ACCESSORIES	OPTIONS
	RGBW	UNV 100-277V	US Ultra Spot 4.4°	SG Silver Gray	BND Barndoor	SD Spreading Diffuser (consult factory)
	CCM Custom Monochrome			CC Custom Color	FGS Full Glare Shield	3G ANSI C136.31 Vibration Rating
				SGM Silver Gray Marine Grade	AGS Angled Glare Shield	
				CCMG Custom Color Marine Grade		

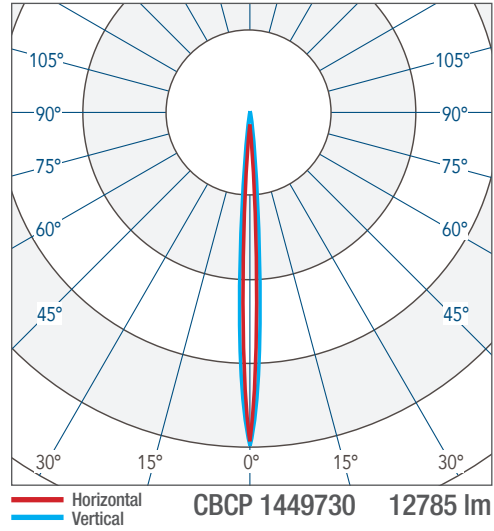
DIMENSIONAL DRAWINGS



PHOTOMETRICS

CANDELA DISTRIBUTION

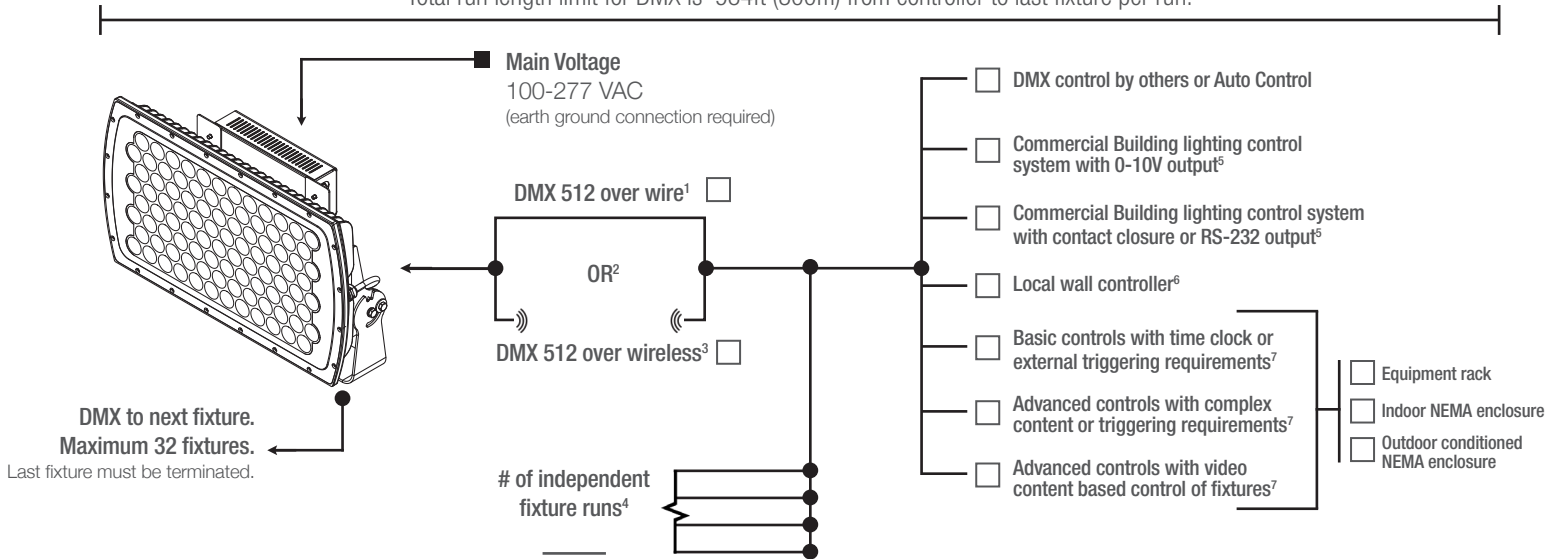
MEDIUM (RGBW) 4.4°



CONTROL OPTIONS (DMX512, PRIMARY CONTROL PLATFORM)

Contact manufacturer for control system development.

Total run length limit for DMX is 984ft (300m) from controller to last fixture per run.



NOTES

1. Wire specifications are available from factory as well as approved wire for purchase.
2. Other control protocol solutions available. Contact factory for more information.
3. Wireless components are external to fixture. Distance limitations based on antennas chosen and site conditions. Contact factory for more information.
4. Based on maximum of 32 fixtures per run as well as any site constraints on conveyance of data.
5. For example: Lutron, Crestron, Encelium, Douglas, ETC by others. Griven control system will interface with building lighting control system.
6. Local wall controller for small applications. Wall controllers specified separately for larger systems.
7. Contact factory for assistance with specification. Onsite commissioning by Griven of control system is required.

PRODUCT OPTIONS



MARINE GRADE COATING

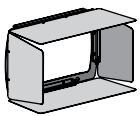
Maximum corrosion resistance for installations near salt or brackish water.



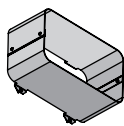
CUSTOM MONOCHROME

Fixtures with dedicated color LEDs available. Contact Griven USA to confirm availability of a custom color.

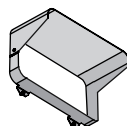
ACCESSORIES



Barndoor



Full Glare Shield



Angled Glare Shield



11-15-18 4/4

