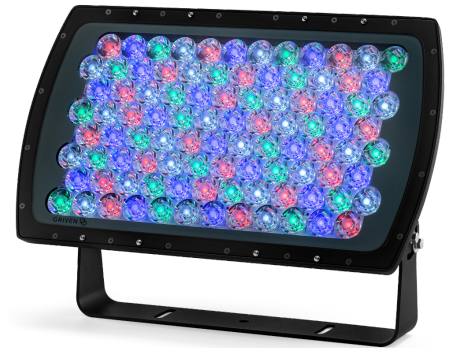


DESCRIPTION

ONYX XQ sets the standard for ultra-narrow beam floodlights where precise and uniform illumination at long distances is required. The award-winning luminaire combines 96 high power LEDs in RGBW with precision optics to produce a very narrow 4° beam. The LED driver is thermally isolated in a separate compartment for enhanced longevity. On-board control panel allows for stand-alone or master-satellite operation, as well as interface to external DMX controllers. Accessories for light control are available. All hardware is stainless steel.



Date: _____ Type: _____ Catalog Number: _____

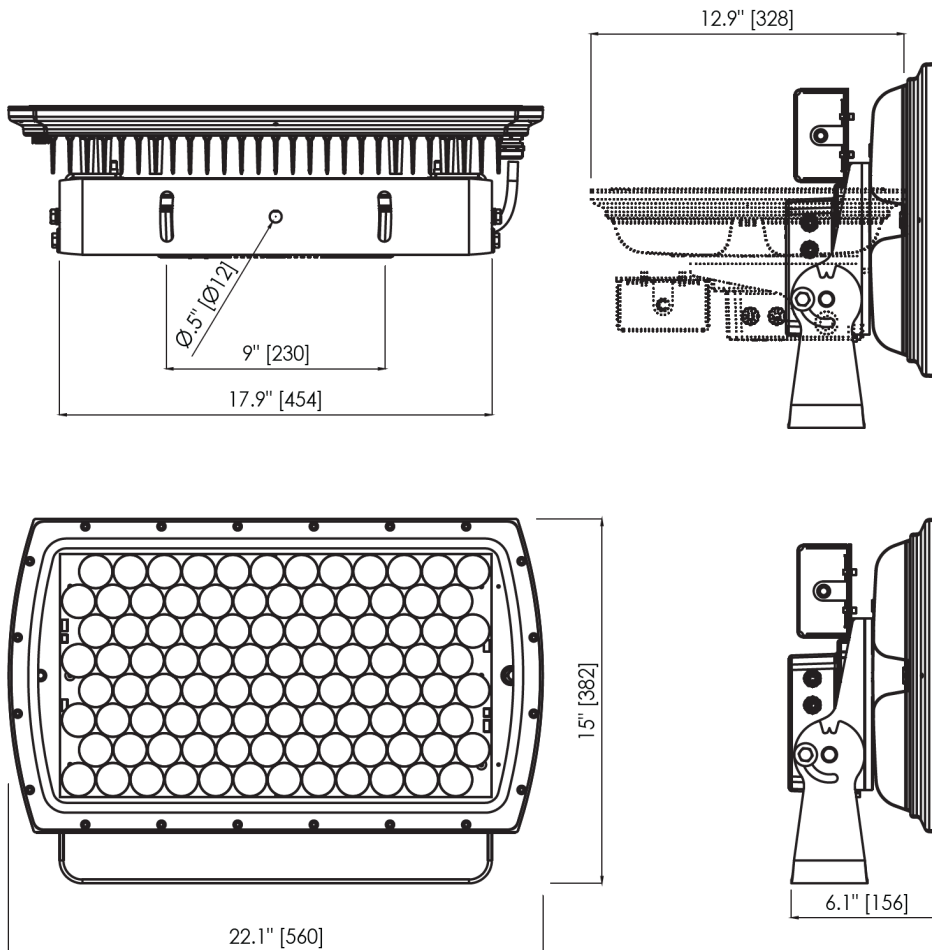
Project Name: _____

ORDERING INFORMATION

LUMINAIRE							
MODEL	COLOR	CONTROL	VOLTAGE	OPTIC	FINISH §	CABLE	OPTIONS
OXXQ ONYX XQ	RGBW RGBW (4000K White)	DMX-RDM DMX/RDM	UNV 120-277V	US Ultra Spot 4°	A Anthracite Gray	S Power in (66.9) , DMX in, DMX out (66.9)	3G 3G Mounting Yoke
					B Black		
					G Griven Grey		
					W White		
					CC Custom Color		
					§ Contact factory for marine grade (anti-saline) finish		

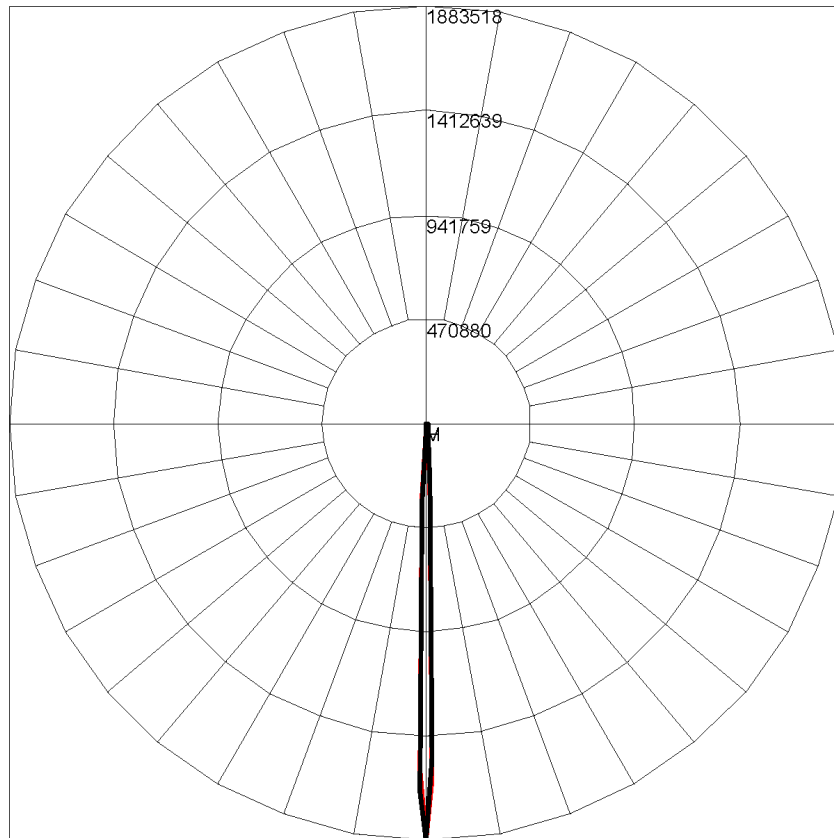
DIMENSIONS

All dimensions are shown in inches unless otherwise noted.



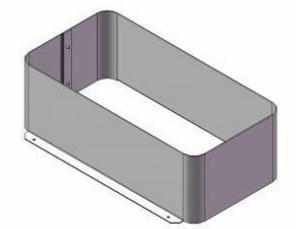
ULTRA SPOT 4°

Maximum Candela = 1883518 / 13781 lms

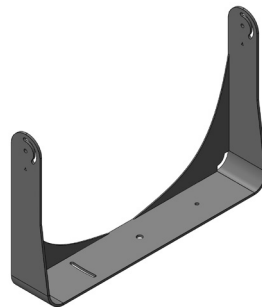


Maximum Candela = 1883518.25 Located At Horizontal Angle = 0, Vertical Angle = 0
H - Horizontal Axial Candela
V - Vertical Axial Candela

ACCESSORIES



AL4108- XX*
Snoot



AL8257- XX*
Mounting Yoke

XX*- ACCESSORY FINISHES

AG	Anthracite Grey
BL	Black
SG	Griven Silver Grey
WH	White
CC	Custom Color

CONNECTIONS

