

# PARADE L RECESSED

Dynamic White



## DESCRIPTION

PARADE L recessed linear luminaires are available in two or three foot lengths. Each model features premium quality high-brightness LEDs and a comprehensive selections of ten light distributions. Standard built-in programming capabilities include standalone or master-satellite configurations without the use of external control systems, or operation by remote DMX512 control systems. Recessed housing, trim, and hardware are stainless steel.



IP67/ IK10 / CE / /

Date: \_\_\_\_\_ Type: \_\_\_\_\_ Catalog Number: \_\_\_\_\_

Project Name: \_\_\_\_\_

## ORDERING INFORMATION

LUMINAIRE							
MODEL	LED	CONTROL †	VOLTAGE	OPTICS *		CABLE	OPTIONS
<b>PDL2R</b> Parade L2 Recessed- 2' Length	<b>DW</b> Dynamic White (2700K-6500K)	<b>DMX/RDM</b> DMX/RDM	<b>UNV</b> 120-277V	<b>SP</b> Spot 8°	<b>ELH</b> Elliptical Horizontal 42° x 11°	<b>M</b> Monocable only	<b>ASL</b> Anti-Slip Lens
<b>PDL3R</b> Parade L3 Recessed- 3' Length		<b>SA</b> Self Addressing		<b>NB</b> Narrow 12°	<b>ELV</b> Elliptical Vertical 11° x 42°		<b>LVR</b> Internal Louver
				<b>MB</b> Medium 26°	<b>ELWH</b> Elliptical Wide Horizontal 40° x 42°		
				<b>WB</b> Wide 40°	<b>ELWV</b> Elliptical Wide Vertical 24° x 40°		
				<b>EW</b> Extra Wide 58°	<b>WW</b> Wall Wash 36° x 15° (5° incline)		

† Parade L may be DMX/RDM addressable per foot. Contact factory.

\* Contact factory for availability of optional factory installed spreading diffusers

## ACCESSORIES

**AL1321 \*\*\*** Infrared Remote Control

## WIRING ACCESSORIES

See separate Wiring and Accessory Application Sheet

\*\*\* Unless an RDM compatible control is used, one AL1321 Infrared Remote Control must always be purchased for one or more DMX/RDM luminaires in order to access DMX addressing

# PARADE L RECESSED

Dynamic White



		PARADE L2R	PARADE L3R
PHYSICAL	HOUSING	Extruded Aluminum	
	HOUSING SIZE	27"l x 5.5"w x 4.5"d	38.5"l x 5.5"w x 4.5"d
	WEIGHT	14.5 lbs	20.3 lbs
	INGRESS PROTECTION	IP67	
PHOTOMETRIC	LED	Dynamic White (2700K-6500K)	
	# LEDS	24	36
	L70 LUMEN MAINTENANCE	100,000 Hours @ 25°C	
	# DISTRIBUTIONS	Ten	
	LIGHT CONTROL ACCESSORIES	Internal Honeycomb Louver, Consult factory for optional spreading diffusers	
ELECTRICAL	POWER CONSUMPTION	37 watts max	56 watts max
	AMPERAGE	0.32A @ 120VAC 0.15A @ 277VAC	0.50A @ 120VAC 0.22A @ 277VAC
	EFFICACY	Up to 80 lumens per watt	
	LUMEN OUTPUT	2950 to 3200 lumens	4400 to 4800 lumens
	CONTROL PROTOCOLS *	DMX/RDM   Self-Addressing   Standalone   Master-Satellite   DMX/RDM Addressable per foot (Contact Factory) * See separate DMX Mode Application Sheet	
	OPERATING TEMPERATURE	-40°C to 50°C (-40°F to 122°F)	
CERTIFICATIONS	SAFETY	ETL Listed for Wet Locations	
	INGRESS PROTECTION	IP67	
	IMPACT RATING	IK10	
	EUROPEAN	CE / RoHS	
ACCESSORIES	INTERNAL LOUVER	x	x
	INFRARED REMOTE CONTROL	x	x

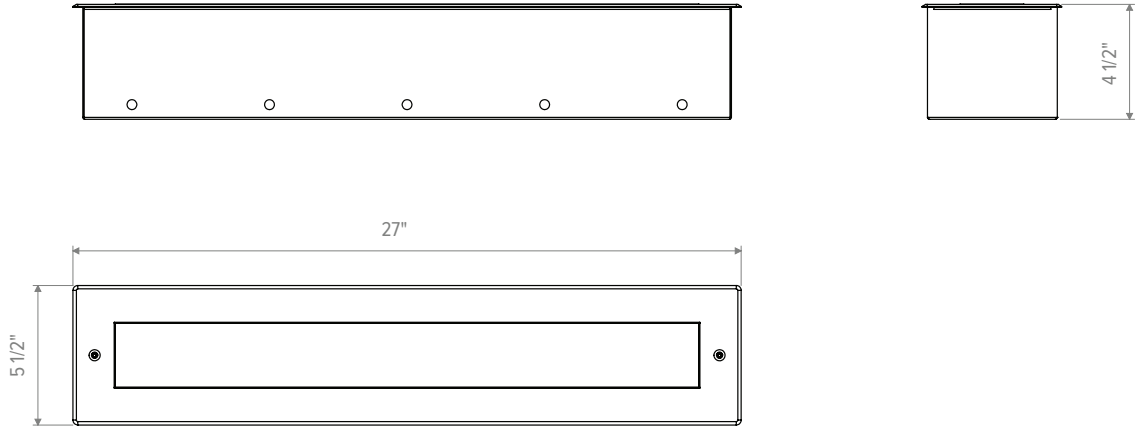
# PARADE L RECESSED

Dynamic White

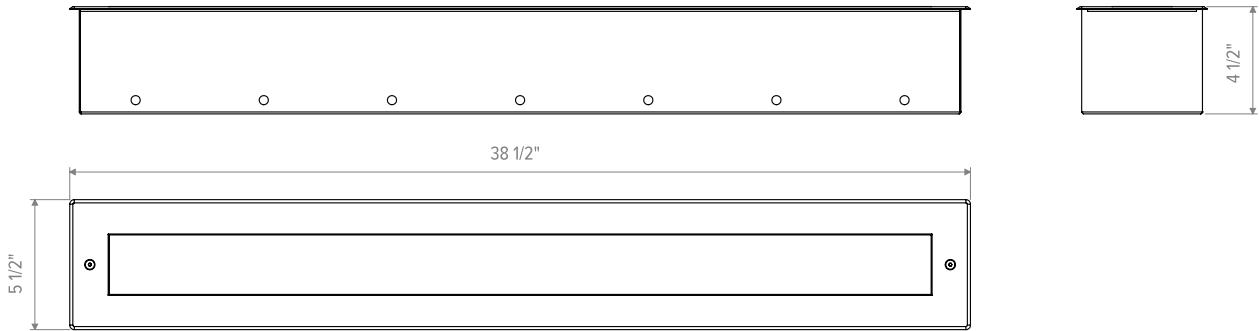


**DIMENSIONS** All dimensions are shown in inches unless otherwise noted.

## PDL2R

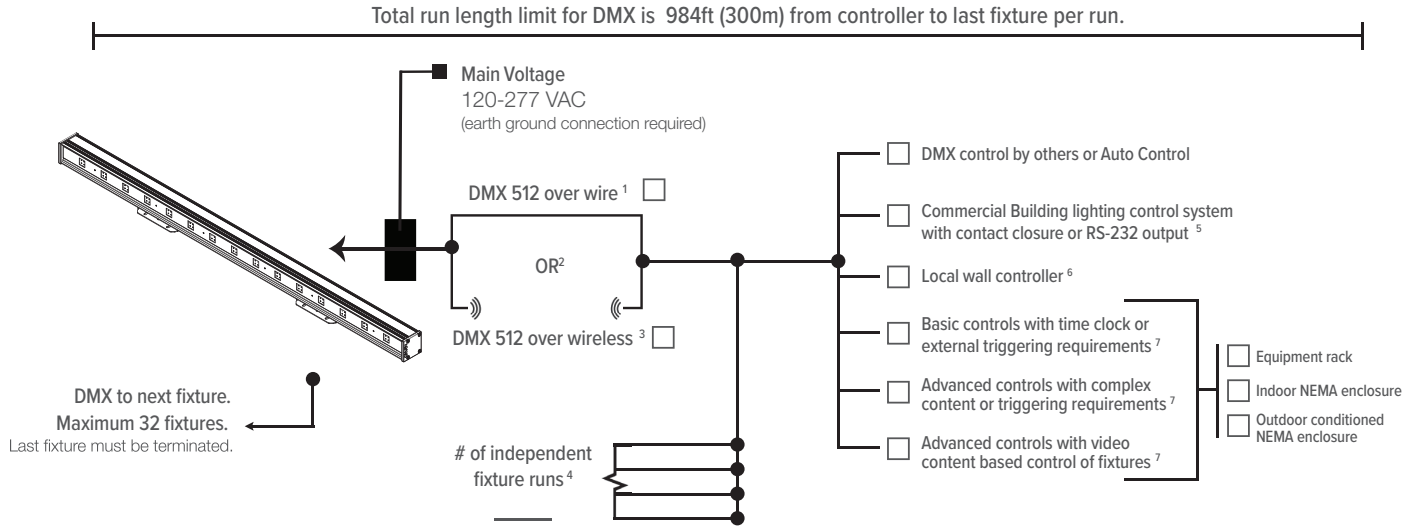


## PDL3R



CONTROL OPTIONS (DMX512, PRIMARY CONTROL PLATFORM)

Contact manufacturer for control system development.

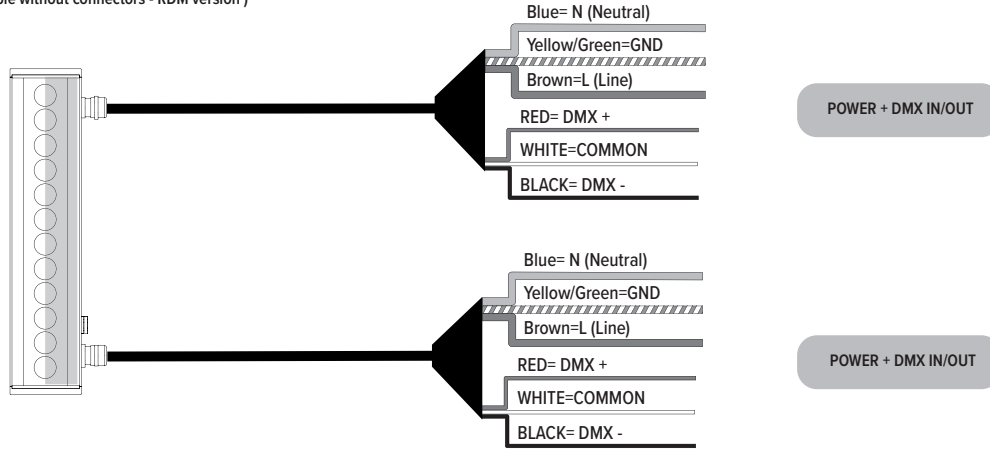


NOTES

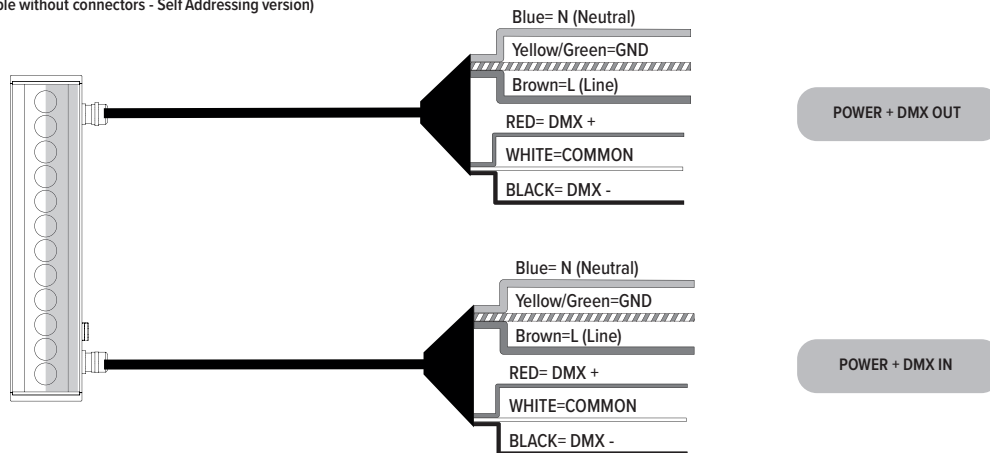
1. Wire specifications are available from factory as well as approved wire for purchase.
2. Other control protocol solutions available. Contact factory for more information.
3. Wireless components are external to fixture. Distance limitations based on antennas chosen and site conditions. Contact factory for more information.
4. Based on maximum of 32 fixtures per run as well as any site constraints on conveyance of data.
5. For example: Lutron, Crestron, Encelium, Douglas, ETC by others. Griven control system will interface with building lighting control system.
6. Local wall controller for small applications. Wall controllers specified separately for larger systems.
7. Contact factory for assistance with specification. Onsite commissioning by Griven of control system is required.

## CONNECTIONS

"M" Type cable ( Monocable without connectors - RDM version )

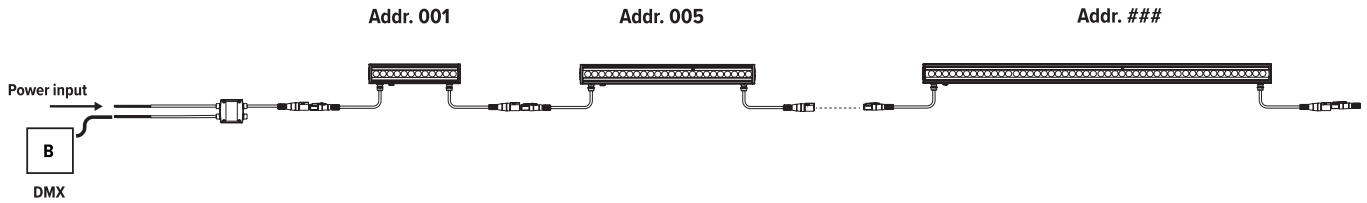


"M" Type cable ( Monocable without connectors - Self Addressing version)



OPERATING MODES

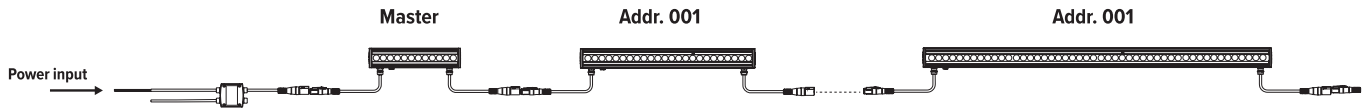
DMX Mode



Example with fixtures set at 4 DMX channels

Master-Slave / Automatic / Fixed color Mode

( Only DMX Mode #1 )



**WARNING !** in this mode, no other DMX control device must be present along the line.