

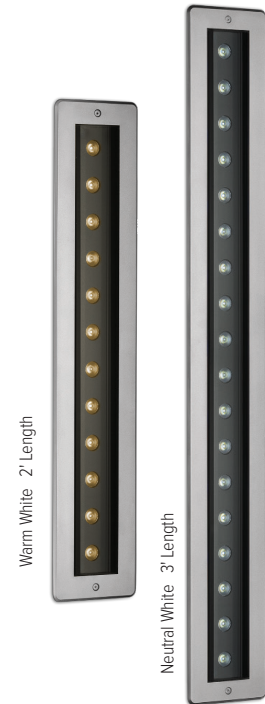
PARADE L RECESSED

Static White



DESCRIPTION

PARADE L recessed linear luminaires are available in two or three foot lengths. Each model features premium quality high-brightness LEDs and a comprehensive selections of ten light distributions. Standard built-in programming capabilities include standalone or master-satellite configurations without the use of external control systems, or operation by remote DMX512 control systems. Recessed housing, trim, and hardware are stainless steel.



IP67/ IK10 / CE / /

Date: _____ Type: _____ Catalog Number: _____

Project Name: _____

ORDERING INFORMATION

| LUMINAIRE | | | | | | | |
|--|---------------------------------------|------------------------------|------------------------|-----------------------------|---|----------------------------|-------------------------------|
| MODEL | LED | CONTROL † | VOLTAGE | OPTICS * | | CABLE | OPTIONS |
| PDL2R Parade L2 Recessed- 2' Length | WW Warm White (3000K) | DMX/RDM DMX/RDM | UNV 120-277V | SP Spot 8° | ELH Elliptical Horizontal 42° x 11° | M Monocable only | ASL Anti-Slip Lens |
| PDL3R Parade L3 Recessed- 3' Length | NW Neutral White (4000K) | SA Self Addressing | | NB Narrow 12° | ELV Elliptical Vertical 11° x 42° | | LVR Internal Louver |
| | CW Cool White (6500K) | | | MB Medium 26° | ELWH Elliptical Wide Horizontal 40° x 42° | | |
| | | | | WB Wide 40° | ELWV Elliptical Wide Vertical 24° x 40° | | |
| | | | | EW Extra Wide 58° | WW Wall Wash 36° x 15° (5° incline) | | |

† Parade L may be DMX/RDM addressable per foot. Contact factory.

* Contact factory for availability of optional factory installed spreading diffusers

ACCESSORIES

AL1321 *** Infrared Remote Control

WIRING ACCESSORIES

See separate Wiring and Accessory Application Sheet

*** Unless an RDM compatible control is used, one AL1321 Infrared Remote Control must always be purchased for one or more DMX/RDM luminaires in order to access DMX addressing

PARADE L RECESSED

Static White



| | | PARADE L2R | PARADE L3R |
|----------------|---------------------------|---|----------------------------------|
| PHYSICAL | HOUSING | Extruded Aluminum | |
| | HOUSING SIZE | 27"l x 5.5"w x 4.5"d | 38.5"l x 5.5"w x 4.5"d |
| | WEIGHT | 14.5 lbs | 20.3 lbs |
| | INGRESS PROTECTION | IP67 | |
| PHOTOMETRIC | LED | Static Warm (3000K) / Neutral (4000K) / Cool (6500K) | |
| | # LEDS | 12 | 18 |
| | L70 LUMEN MAINTENANCE | 100,000 Hours @ 25°C | |
| | # DISTRIBUTIONS | Ten | |
| | LIGHT CONTROL ACCESSORIES | Internal Honeycomb Louver, Consult factory for optional spreading diffusers | |
| ELECTRICAL | POWER CONSUMPTION | 37 watts max | 56 watts max |
| | AMPERAGE | 0.32A @ 120VAC 0.15A @ 277VAC | 0.50A @ 120VAC 0.22A @ 277VAC |
| | EFFICACY | Up to 80 lumens per watt | |
| | LUMEN OUTPUT | 2950 to 3200 lumens | 4400 to 4800 lumens |
| | CONTROL PROTOCOLS * | DMX/RDM Self-Addressing Standalone Master-Satellite DMX/RDM Addressable per foot (Contact Factory) * See separate DMX Mode Application Sheet | |
| | OPERATING TEMPERATURE | -40°C to 50°C (-40°F to 122°F) | |
| CERTIFICATIONS | SAFETY | ETL Listed for Wet Locations | |
| | INGRESS PROTECTION | IP67 | |
| | IMPACT RATING | IK10 | |
| | EUROPEAN | CE / RoHS | |
| ACCESSORIES | INTERNAL LOUVER | x | x |
| | INFRARED REMOTE CONTROL | x | x |

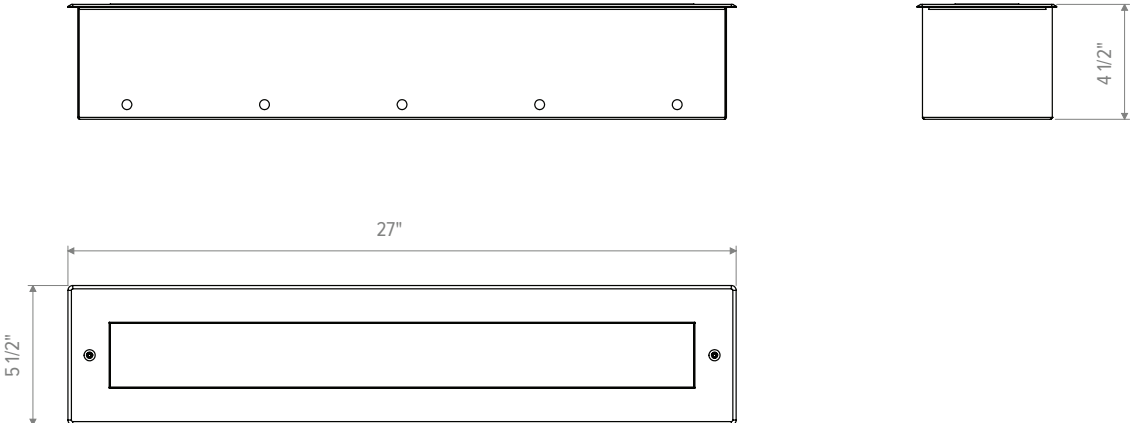
PARADE L RECESSED

Static White

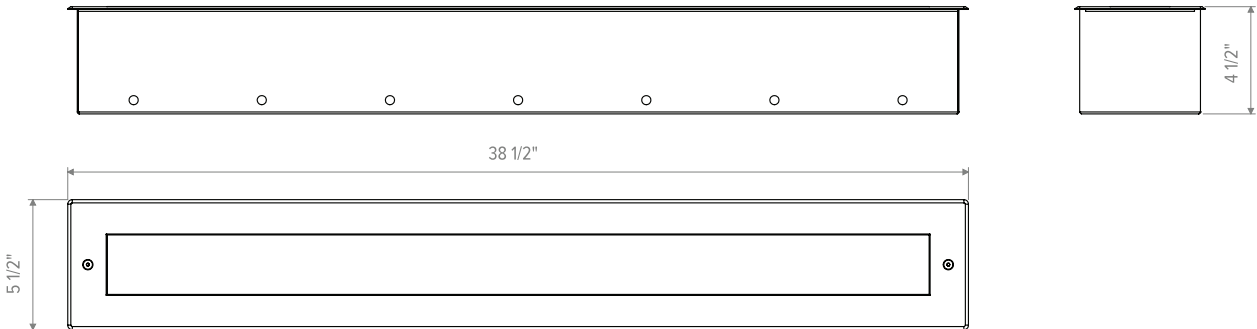


DIMENSIONS All dimensions are shown in inches unless otherwise noted.

PDL2R

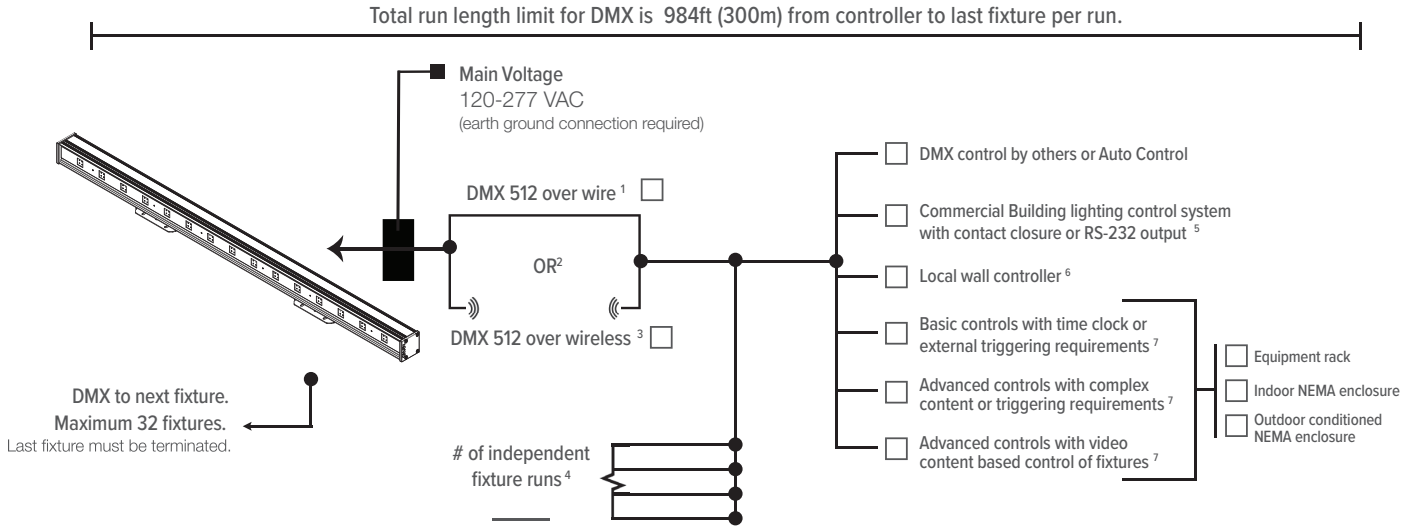


PDL3R



CONTROL OPTIONS (DMX512, PRIMARY CONTROL PLATFORM)

Contact manufacturer for control system development.



NOTES

1. Wire specifications are available from factory as well as approved wire for purchase.
2. Other control protocol solutions available. Contact factory for more information.
3. Wireless components are external to fixture. Distance limitations based on antennas chosen and site conditions. Contact factory for more information.
4. Based on maximum of 32 fixtures per run as well as any site constraints on conveyance of data.
5. For example: Lutron, Crestron, Encelium, Douglas, ETC by others. Griven control system will interface with building lighting control system.
6. Local wall controller for small applications. Wall controllers specified separately for larger systems.
7. Contact factory for assistance with specification. Onsite commissioning by Griven of control system is required.

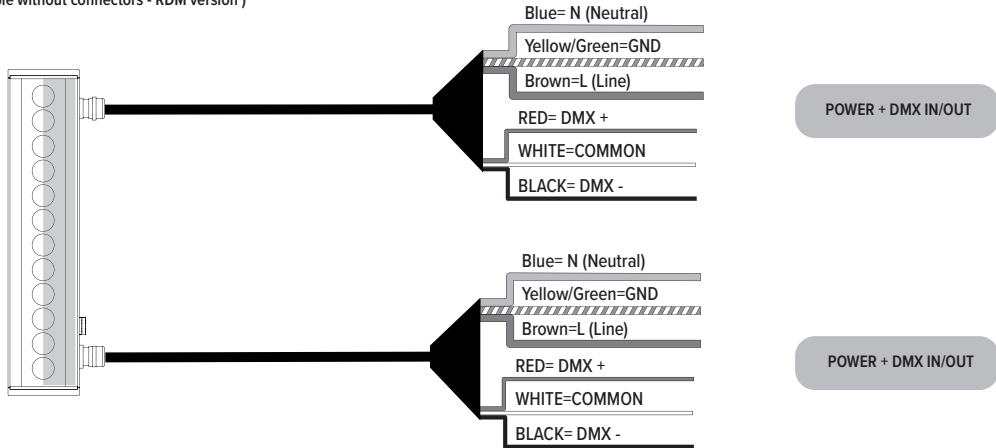
PARADE L RECESSED

Static White

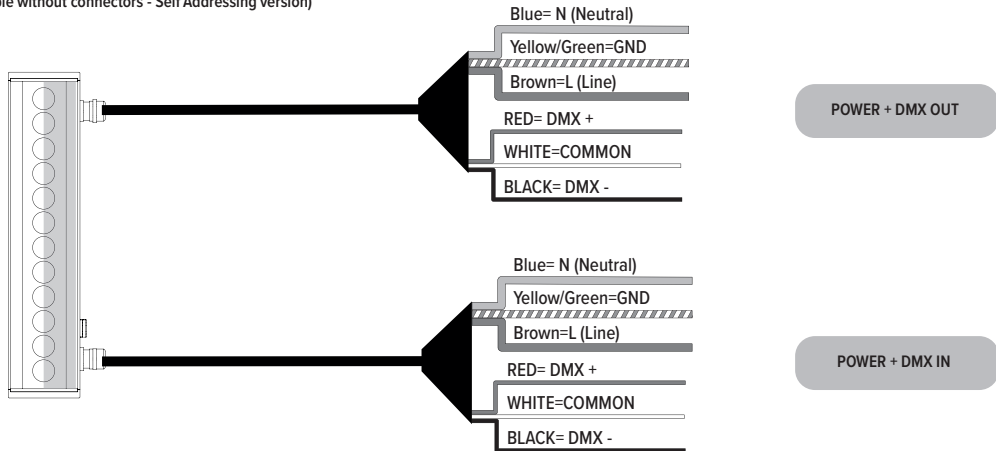


CONNECTIONS

"M" Type cable (Monocable without connectors - RDM version)

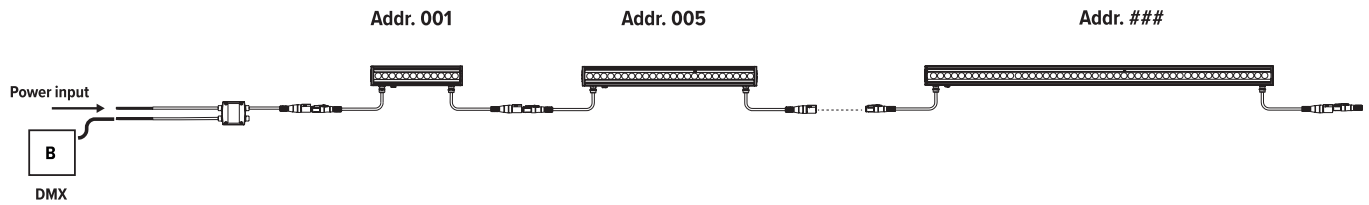


"M" Type cable (Monocable without connectors - Self Addressing version)



OPERATING MODES

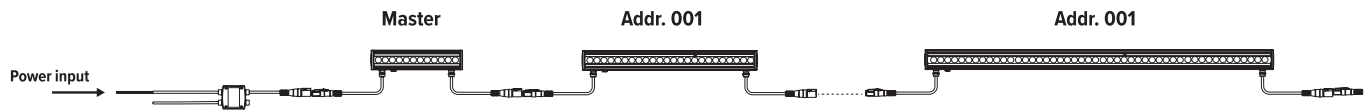
DMX Mode



Example with fixtures set at 4 DMX channels

Master-Slave / Automatic / Fixed color Mode

(Only DMX Mode #1)



WARNING ! in this mode, no other DMX control device must be present along the line.