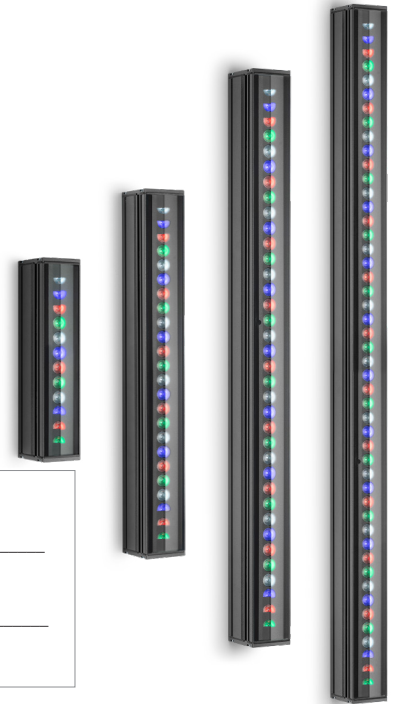


DESCRIPTION

PARADE L linear luminaires are available in one-foot increments up to four feet overall length. Each model features premium quality high brightness LEDs and a comprehensive selection of ten light distributions. Adjustable brackets are available in three standard lengths. Standard built-in programming capabilities include economical stand-alone operation or master-satellite configurations without the use of external control systems, or operation by remote DMX512 control systems. Four standard finishes are available with options for marine-grade or custom RAL finishes on request. All hardware is stainless steel.



IP67/ IK10 / CE /  / 

Date: \_\_\_\_\_ Type: \_\_\_\_\_ Catalog Number: \_\_\_\_\_

Project Name: \_\_\_\_\_

ORDERING INFORMATION

| LUMINAIRE                     |                               |                       |                 |                      |  |                                    |                                |                        |
|-------------------------------|-------------------------------|-----------------------|-----------------|----------------------|--|------------------------------------|--------------------------------|------------------------|
| MODEL                         | LED                           | CONTROL †             | VOLTAGE         | OPTICS *             |  | FINISH **                          | CABLE                          | OPTIONS                |
| PDL1<br>Parade L1 - 1' Length | RGBW<br>RGBW<br>(4000K White) | DMX/RDM<br>DMX/RDM    | UNV<br>120-277V | SP<br>Spot 8°        | ELH<br>Elliptical Horizontal 42° x 11°       | AG<br>Anthracite Gray<br>(RAL7016) | M<br>Monocable only            | LVR<br>Internal Louver |
| PDL2<br>Parade L2 - 2' Length |                               | SA<br>Self Addressing |                 | NB<br>Narrow 12°     | ELV<br>Elliptical Vertical 11° x 42°         | BL<br>Black (RAL9005)              | C<br>Monocable with connectors |                        |
| PDL3<br>Parade L3 - 3' Length |                               |                       |                 | MB<br>Medium 26°     | ELWH<br>Elliptical Wide Horizontal 40° x 42° | SG<br>Griven Silver Grey           |                                |                        |
| PDL4<br>Parade L4 - 4' Length |                               |                       |                 | WB<br>Wide 40°       | ELWV<br>Elliptical Wide Vertical 24° x 40°   | WH<br>White (RAL9003)              |                                |                        |
|                               |                               |                       |                 | EW<br>Extra Wide 58° | WW<br>Wall Wash 36° x 15° (5° incline)       | CC<br>Custom Color (RAL Finish)    |                                |                        |

† Parade L may be DMX/RDM addressable per foot. Contact factory.

\* Contact factory for availability of optional factory installed spreading diffusers

\*\* Contact factory for marine grade finishes

| MOUNTING BRACKETS ( Required ) |                             | LIGHT CONTROL ACCESSORIES |                         | WIRING ACCESSORIES                                  |  |
|--------------------------------|-----------------------------|---------------------------|-------------------------|---|--|
| AL5055                         | 3" (80mm) Bracket Pair      | AL5096                    | Visor for Parade PDL1   | See separate Wiring and Accessory Application Sheet |  |
| AL5056                         | 6" (160mm) Bracket Pair     | AL5097                    | Visor for Parade PDL    |   |  |
| AL5057                         | 10" (260mm) Bracket Pair    | AL5098                    | Visor for Parade PDL3   |   |  |
|                                |                             | AL5099                    | Visor for Parade PDL4   |   |  |
| <b>WALL MOUNTING BRACKETS</b>  |                             | AL5103                    | Snoot for Parade PDL1   |   |  |
| WB-06-PDL1/L2-xx*              | (1) 6" (152mm) Wall Bracket | AL5104                    | Snoot for Parade PDL2   |   |  |
| WB-06-PDL3/L4-xx*              | (2) 6" (152mm) Wall Bracket | AL5105                    | Snoot for Parade PDL3   |   |  |
| *Specify finish                |                             | AL5106                    | Snoot for Parade PDL4   |   |  |
|                                |                             | AL1321 ***                | Infrared Remote Control |   |  |

\*\*\* Unless an RDM compatible control is used, one AL1321 Infrared Remote Control must always be purchased for one or more DMX/RDM luminaires in order to access DMX addressing

|          |                    | PARADE L1             | PARADE L2         | PARADE L3         | PARADE L4         |
|----------|--------------------|-----------------------|-------------------|-------------------|-------------------|
| PHYSICAL | HOUSING            | Extruded aluminum     |                   |                   |                   |
|          | HOUSING SIZE       | 12-5/8" x 2-3/4" x 3" | 24" x 2-3/4" x 3" | 36" x 2-3/4" x 3" | 48" x 2-3/4" x 3" |
|          | YOKE               | Fabricated aluminum   |                   |                   |                   |
|          | WEIGHT             | 4 lbs                 | 6.2 lbs           | 9 lbs             | 11.7 lbs          |
|          | INGRESS PROTECTION | IP67                  |                   |                   |                   |

|             |                            |  |    |    |    |
|-------------|----------------------------|--|----|----|----|
| PHOTOMETRIC | LED                        | RGBW (4000K White)   |    |    |    |
|             | # LEADS                    | 12   | 24 | 36 | 48 |
|             | L70 LUMEN MAINTENANCE      | 100,000 Hours @ 25°C*  |    |    |    |
|             | # DISTRIBUTIONS            | Ten  |    |    |    |
|             | VERTICAL AIMING CAPABILITY | +/- 90°  |    |    |    |
|             | LIGHT CONTROL ACCESSORIES  | Visor, Snoot, Consult factory for optional spreading diffusers |    |    |    |

| LIGHT DISTRIBUTIONS *   | DISTRIBUTION             | BEAM ANGLE | LUMENS / MAX CANDELA | LUMENS / MAX CANDELA | LUMENS / MAX CANDELA | LUMENS / MAX CANDELA |
|-------------------------|--------------------------|------------|----------------------|----------------------|----------------------|----------------------|
|                         | SPOT                     | 8°         | 722/17982            | 1643/40342           | 2538/63885           | 3468/80722           |
|                         | NARROW                   | 12°        | 694/8222             | 1579/18703           | 2440/28902           | 3334/39491           |
|                         | MEDIUM                   | 26°        | 696/2707             | 1584/6370            | 2447/9840            | 3343/13443           |
|                         | WIDE                     | 40°        | 626/1146             | 1425/2607            | 2201/9755            | 3007/5501            |
|                         | EXTRA WIDE               | 58°        | 490/513              | 1115/1168            | 2102/5414            | 2354/2466            |
|                         | ELLIPTICAL               | 42° X 11°  | 650/2926             | 1479/6660            | 2285/10289           | 3122/14058           |
|                         | ELLIPTICAL VERTICAL      | 11° X 42°  | 650/2926             | 1479/6660            | 2285/10289           | 3122/14058           |
|                         | ELLIPTICAL WIDE          | 40° X 24°  | 598/1540             | 1361/3505            | 1722/1804            | 2872/7397            |
|                         | ELLIPTICAL WIDE VERTICAL | 24° X 40°  | 598/1540             | 1361/3305            | 1722/1804            | 2872/7397            |
| WALL WASH (INCLINED 5°) | 36° X 15°                | 628/2773   | 1429/6313            | 2208/9755            | 3016/13324           |                      |

\* Values based on full RGBW output

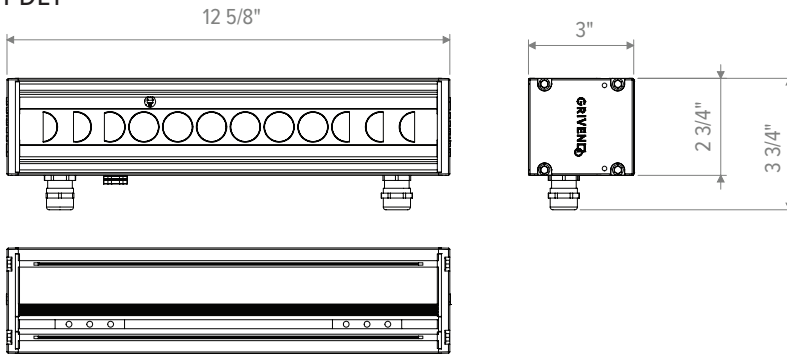
|            |                       |   |                                  |                                  |                                  |
|------------|-----------------------|---|----------------------------------|----------------------------------|----------------------------------|
| ELECTRICAL | POWER CONSUMPTION     | 20 watts max  | 38 watts max                     | 59 watts max                     | 79 watts max                     |
|            | AMPERAGE              | 0.15A @ 120VAC<br>0.08A @ 277VAC  | 0.32A @ 120VAC<br>0.15A @ 277VAC | 0.50A @ 120VAC<br>0.22A @ 277VAC | 0.67A @ 120VAC<br>0.29A @ 277VAC |
|            | EFFICACY              | Up to 40.2 lumens per watt  |                                  |                                  |                                  |
|            | LUMEN OUTPUT          | 490 to 722 lumens   | 1115 to 1643 lumens              | 1722 to 2538 lumens              | 2354 to 3468 lumens              |
|            | CONTROL PROTOCOLS *   | DMX/RDM   Self-Addressing   Standalone   Master-Satellite   DMX/RDM Addressable per foot (Contact Factory)<br>* See separate DMX Mode Application Sheet |                                  |                                  |                                  |
|            | OPERATING TEMPERATURE | -40°C to 50°C (-40°F to 122°F)  |                                  |                                  |                                  |

|                |                    |                              |  |  |  |
|----------------|--------------------|------------------------------|--|--|--|
| CERTIFICATIONS | SAFETY             | ETL Listed for Wet Locations |  |  |  |
|                | INGRESS PROTECTION | IP67                         |  |  |  |
|                | IMPACT RATING      | IK10                         |  |  |  |
|                | EUROPEAN           | CE / RoHS                    |  |  |  |

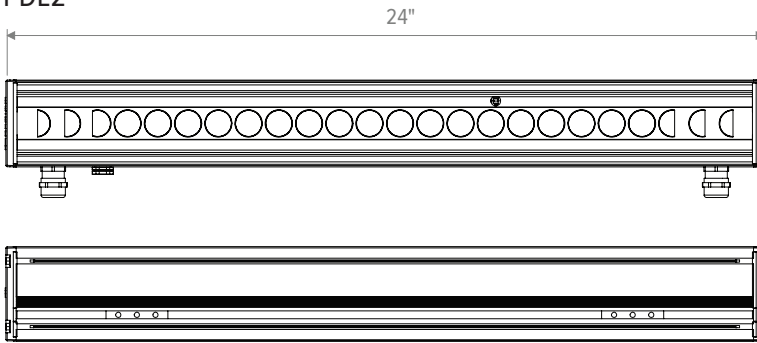
|             |                         |   |   |   |   |
|-------------|-------------------------|---|---|---|---|
| ACCESSORIES | VISOR                   | x | x | x | x |
|             | SNOOT                   | x | x | x | x |
|             | INTERNAL LOUVER         | x | x | x | x |
|             | 3" BRACKETS             | x | x | x | x |
|             | 6" BRACKETS             | x | x | x | x |
|             | 10" BRACKETS            | x | x | x | x |
|             | INFRARED REMOTE CONTROL | x | x | x | x |

**DIMENSIONS** All dimensions are shown in inches unless otherwise noted.

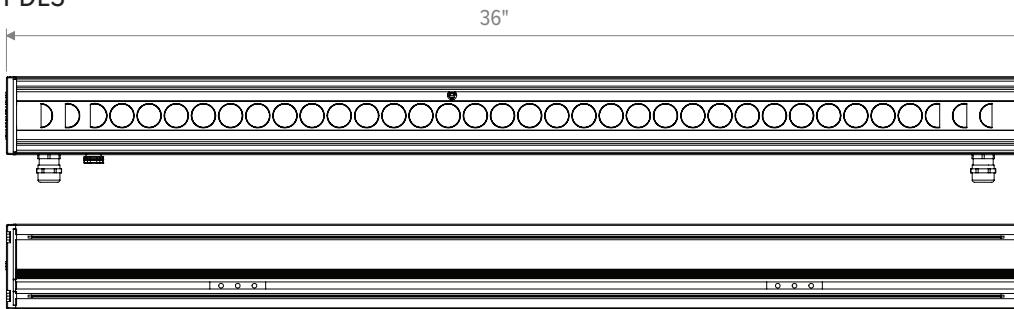
PDL1



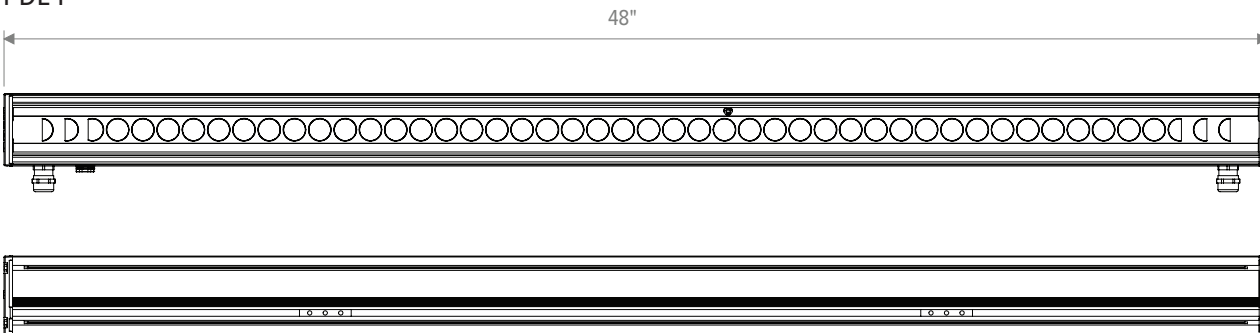
PDL2



PDL3

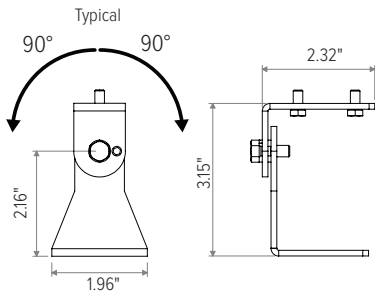


PDL4



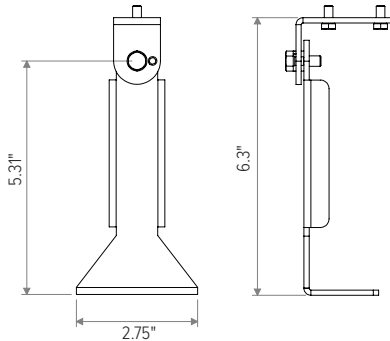
LUMINAIRE BRACKET OPTIONS (sold separately)

All dimensions are shown in inches unless otherwise noted.



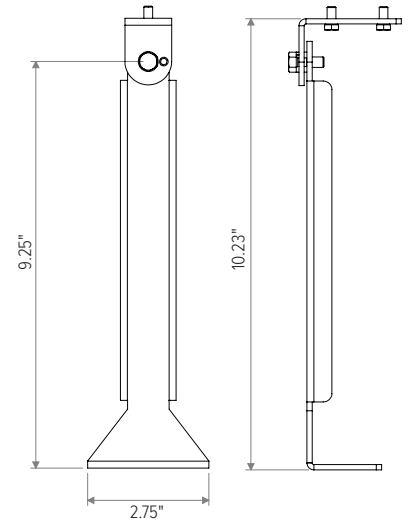
AL5055

3.15" Bracket



AL5056

6.3" Bracket

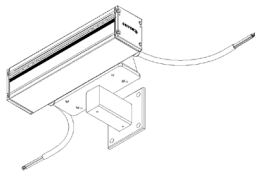


AL5057

10.23" Bracket

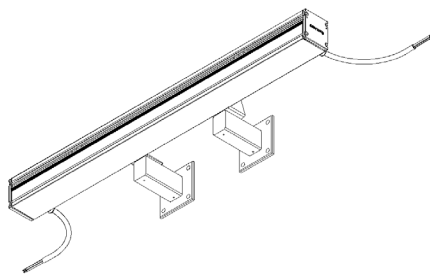
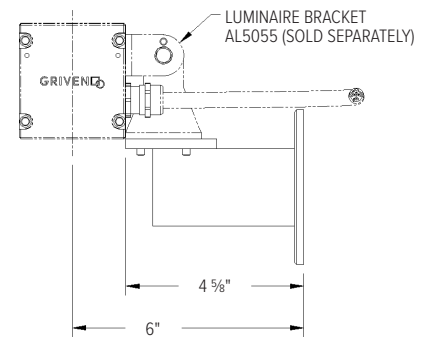
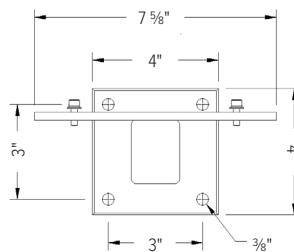
WALL BRACKET OPTIONS (sold separately)

The Griven Parade L Wall Bracket can be used with the Griven Parade L product family. The Wall Bracket will position the center of the Parade L optics at a distance of six inches from the wall.



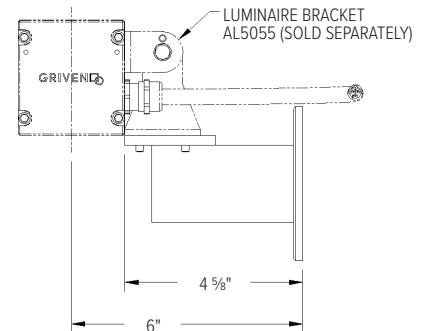
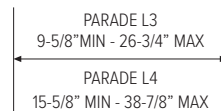
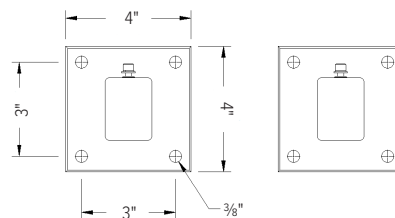
WB-06-PDL1/L2-XX\* (\*Specify finish)

(1) 6" Wall Bracket



WB-06-PDL3/L4-XX\* (\*Specify finish)

(2) 6" Wall Bracket

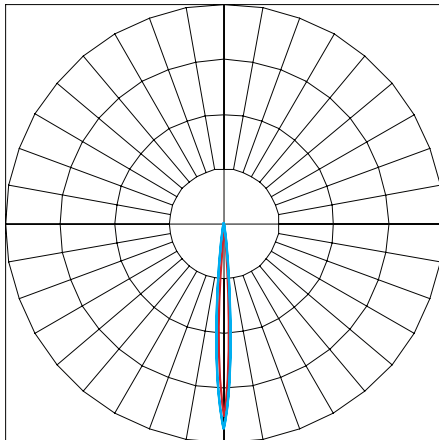


PHOTOMETRICS

Values shown are for PDL4. Multiply by 75%, 50%, and 25% respectively for PDL3, PDL2, and PDL1.

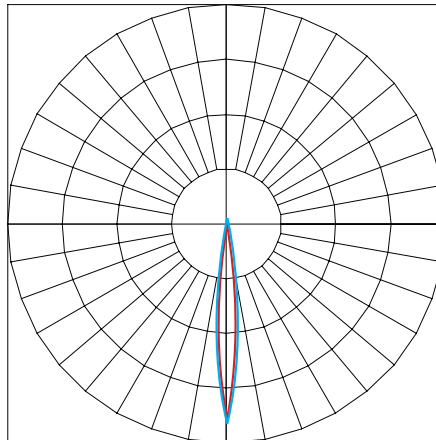
CANDELA DISTRIBUTION

SPOT 8°



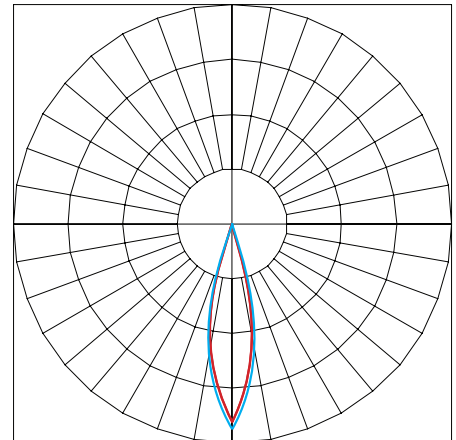
— HORIZONTAL  
— VERTICAL    CBCP 80722 3468 lm

NARROW 12°



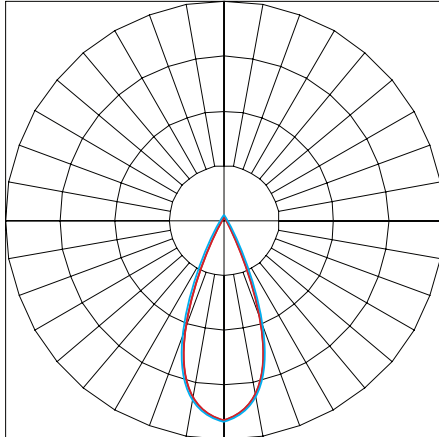
— HORIZONTAL  
— VERTICAL    CBCP 39491 3334 lm

MEDIUM 26°



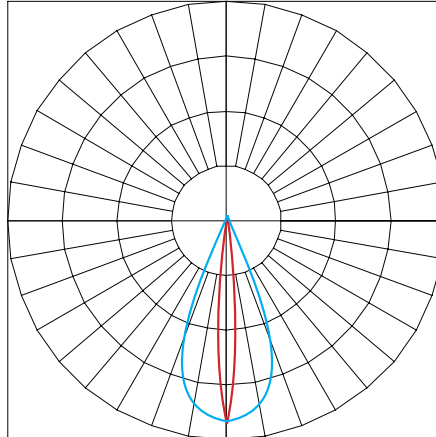
— HORIZONTAL  
— VERTICAL    CBCP 13443 3343 lm

WIDE 40°



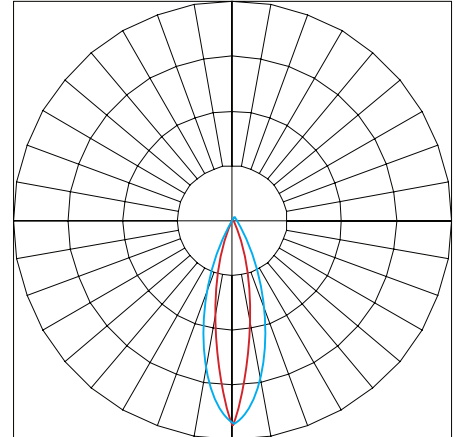
— HORIZONTAL  
— VERTICAL    CBCP 5501 3007 lm

ELLIPTICAL 42° X 11°



— HORIZONTAL  
— VERTICAL    CBCP 14058 3122 lm

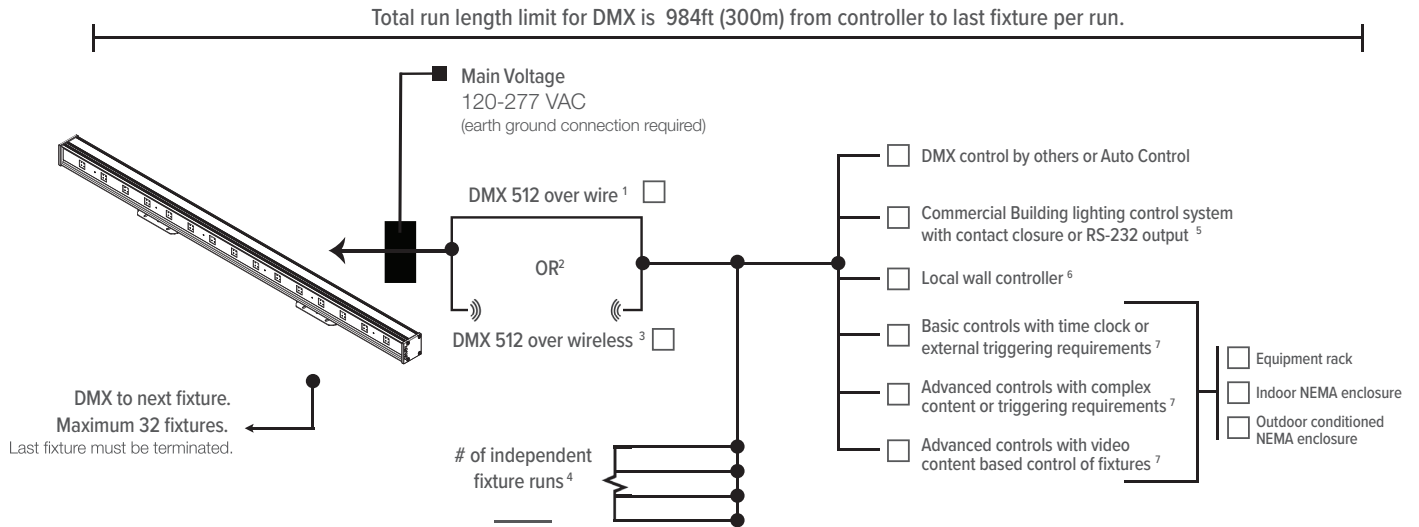
ELLIPTICAL WIDE 40° X 24°



— HORIZONTAL  
— VERTICAL    CBCP 7397 2872 lm

CONTROL OPTIONS (DMX512, PRIMARY CONTROL PLATFORM)

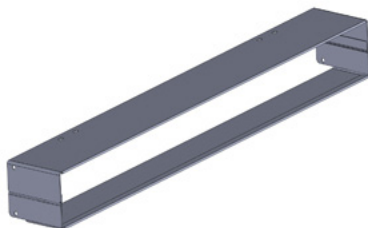
Contact manufacturer for control system development.



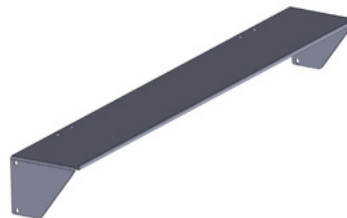
NOTES

1. Wire specifications are available from factory as well as approved wire for purchase.
2. Other control protocol solutions available. Contact factory for more information.
3. Wireless components are external to fixture. Distance limitations based on antennas chosen and site conditions. Contact factory for more information.
4. Based on maximum of 32 fixtures per run as well as any site constraints on conveyance of data.
5. For example: Lutron, Crestron, Encelium, Douglas, ETC by others. Given control system will interface with building lighting control system.
6. Local wall controller for small applications. Wall controllers specified separately for larger systems.
7. Contact factory for assistance with specification. Onsite commissioning by Given of control system is required.

ACCESSORIES



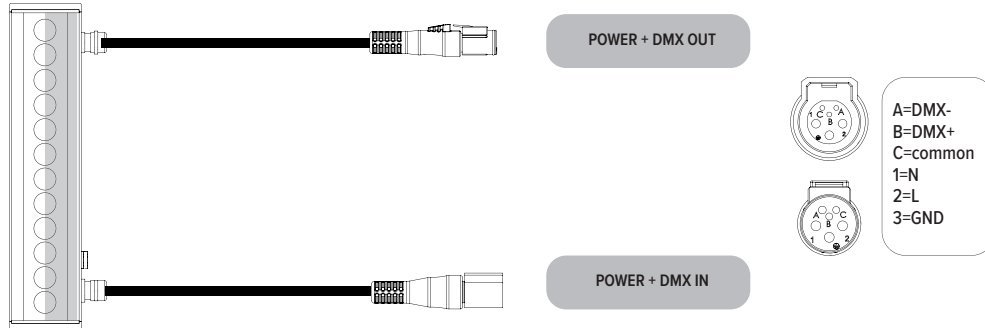
Snoot



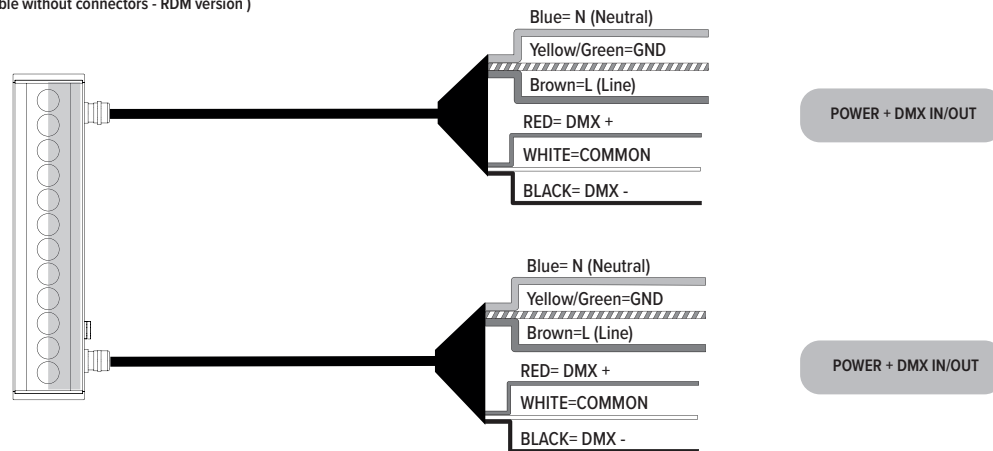
Visor

CONNECTIONS

“C” Type cable ( Monocable + connectors )



“M” Type cable ( Monocable without connectors - RDM version )



“M” Type cable ( Monocable without connectors - Self Addressing version )

