

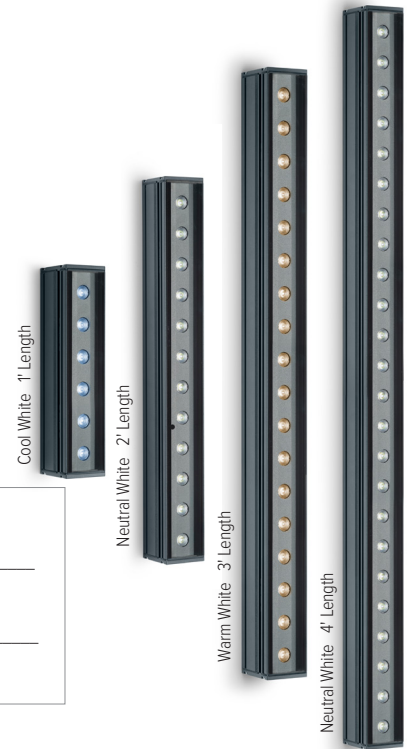
DESCRIPTION

PARADE L linear luminaires are available in one-foot increments up to four feet overall length. Each model features premium quality high brightness LEDs and a comprehensive selection of ten light distributions. Adjustable brackets are available in three standard lengths. Standard built-in programming capabilities include economical stand-alone operation or master-satellite configurations without the use of external control systems, or operation by remote DMX512 control systems. Four standard finishes are available with options for marine-grade or custom RAL finishes on request. All hardware is stainless steel.

IP67/ IK10 / CE /  / 

Date: _____ Type: _____ Catalog Number: _____

Project Name: _____



ORDERING INFORMATION

LUMINAIRE								
MODEL	LED	CONTROL †	VOLTAGE	OPTICS *		FINISH **	CABLE	OPTIONS
PDL1 Parade L1 - 1' Length	WW Warm White (3000K)	DMX-RDM DMX-RDM	UNV 120-277V	SP Spot 8°	ELH Elliptical Horizontal 42° x 11°	AG Anthracite Gray (RAL7016)	M Monocable only	LVR Internal Louver
PDL2 Parade L2 - 2' Length	NW Neutral White (4000K)	SA Self Addressing		NB Narrow 12°	ELV Elliptical Vertical 11° x 42°	BL Black (RAL9005)	C Monocable with connectors	
PDL3 Parade L3 - 3' Length	CW Cool White (6500K)			MB Medium 26°	ELWH Elliptical Wide Horizontal 40° x 42°	SG Griven Silver Grey		
PDL4 Parade L4 - 4' Length				WB Wide 40°	ELWV Elliptical Wide Vertical 24° x 40°	WH White (RAL9003)		
				EW Extra Wide 58°	WW Wall Wash 36° x 15° (5° incline)	CC Custom Color (RAL Finish)		

† Parade L may be DMX/RDM addressable per foot. Contact factory.

* Contact factory for availability of optional factory installed spreading diffusers

** Contact factory for marine grade finishes

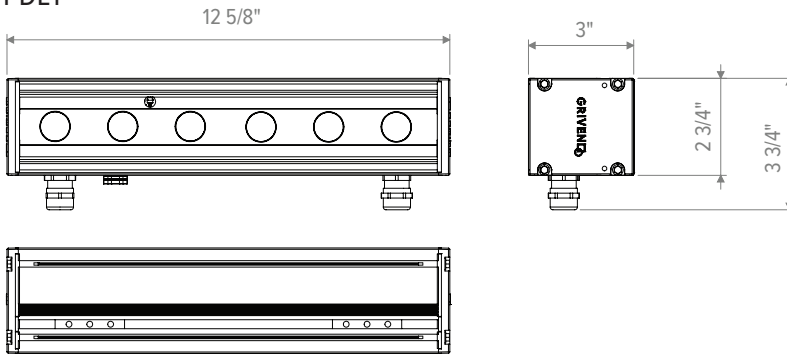
MOUNTING BRACKETS (Required)		LIGHT CONTROL ACCESSORIES		WIRING ACCESSORIES	
AL5055	3" (80mm) Bracket Pair	AL5096	Visor for Parade PDL1	See separate Wiring and Accessory Application Sheet	
AL5056	6" (160mm) Bracket Pair	AL5097	Visor for Parade PDL2		
AL5057	10" (260mm) Bracket Pair	AL5098	Visor for Parade PDL3		
		AL5099	Visor for Parade PDL4		
WALL MOUNTING BRACKETS		AL5103	Snoot for Parade PDL1		
WB-06-PDL1/L2-xx*	(1) 6" (152mm) Wall Bracket	AL5104	Snoot for Parade PDL2		
WB-06-PDL3/L4-xx*	(2) 6" (152mm) Wall Bracket	AL5105	Snoot for Parade PDL3		
*Specify finish		AL5106	Snoot for Parade PDL4		
		AL1321 ***	Infrared Remote Control		

*** Unless an RDM compatible control is used, one AL1321 Infrared Remote Control must always be purchased for one or more DMX/RDM luminaires in order to access DMX addressing

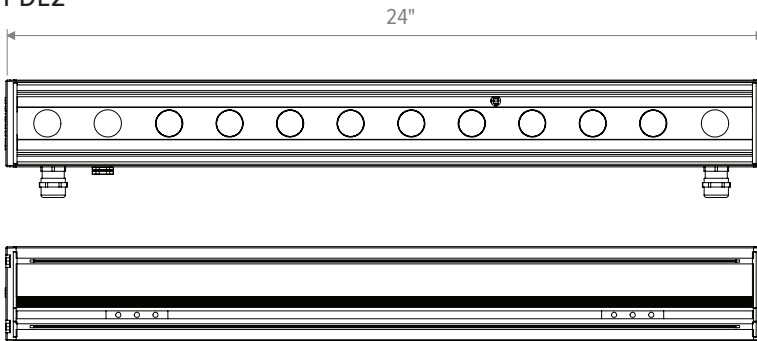
		PARADE L1	PARADE L2	PARADE L3	PARADE L4
PHYSICAL	HOUSING	Extruded aluminum			
	HOUSING SIZE	12-5/8" x 2-3/4" x 3"	24" x 2-3/4" x 3"	36" x 2-3/4" x 3"	48" x 2-3/4" x 3"
	YOKE	Fabricated aluminum			
	WEIGHT	4 lbs	6.2 lbs	9 lbs	11.7 lbs
	INGRESS PROTECTION	IP67			
PHOTOMETRIC	LED	Static Warm (3000K) / Neutral (4000K) / Cool (6500K)			
	# LEADS	6	12	18	24
	L70 LUMEN MAINTENANCE	100,000 Hours @ 25°C*			
	# DISTRIBUTIONS	Ten			
	VERTICAL AIMING CAPABILITY	+/- 90°			
	LIGHT CONTROL ACCESSORIES	Visor, Snoot, Consult factory for optional spreading diffusers			
ELECTRICAL	POWER CONSUMPTION	20 watts max	38 watts max	59 watts max	79 watts max
	AMPERAGE	0.15A @ 120VAC 0.08A @ 277VAC	0.32A @ 120VAC 0.15A @ 277VAC	0.50A @ 120VAC 0.22A @ 277VAC	0.67A @ 120VAC 0.29A @ 277VAC
	CONTROL PROTOCOLS *	DMX/RDM Self-Addressing Standalone Master-Satellite DMX/RDM Addressable per foot (Contact Factory) * See separate DMX Mode Application Sheet			
	OPERATING TEMPERATURE	-40°C to 50°C (-40°F to 122°F)			
CERTIFICATIONS	SAFETY	ETL Listed for Wet Locations			
	INGRESS PROTECTION	IP67			
	IMPACT RATING	IK10			
	EUROPEAN	CE / RoHS			
ACCESSORIES	VISOR	x	x	x	x
	SNOOT	x	x	x	x
	INTERNAL LOUVER	x	x	x	x
	3" BRACKETS	x	x	x	x
	6" BRACKETS	x	x	x	x
	10" BRACKETS	x	x	x	x
	INFRARED REMOTE CONTROL	x	x	x	x

DIMENSIONS All dimensions are shown in inches unless otherwise noted.

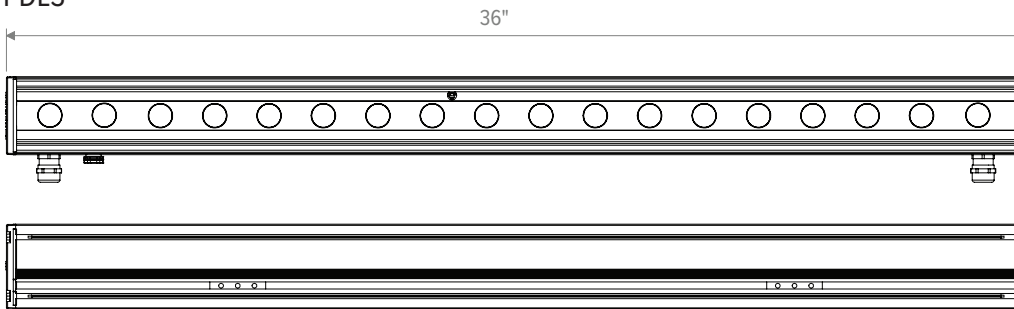
PDL1



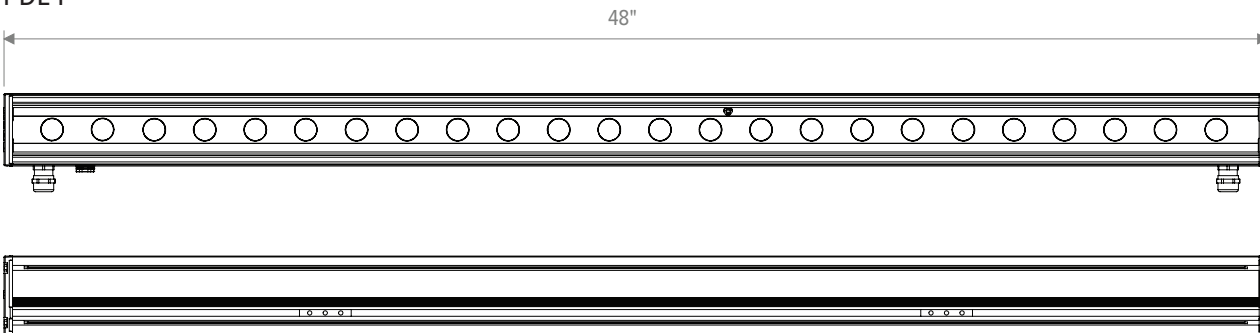
PDL2



PDL3

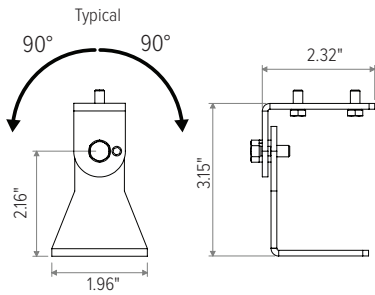


PDL4



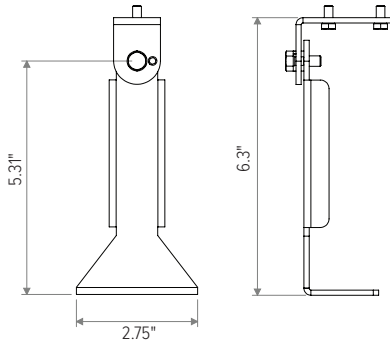
LUMINAIRE BRACKET OPTIONS (sold separately)

All dimensions are shown in inches unless otherwise noted.



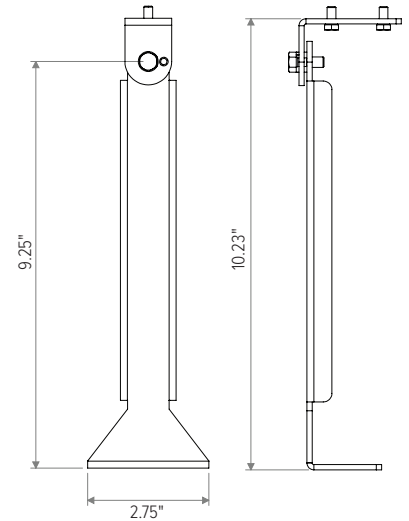
AL5055

3.15" Bracket



AL5056

6.3" Bracket

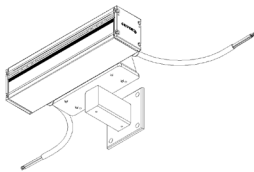


AL5057

10.23" Bracket

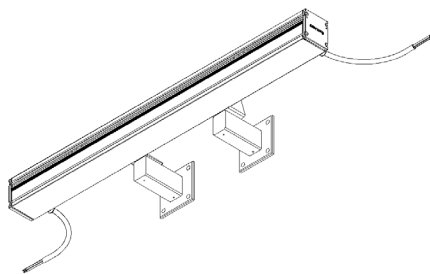
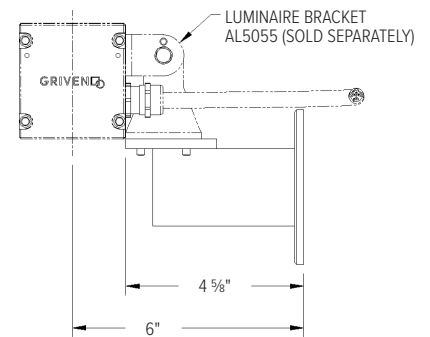
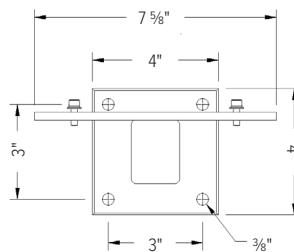
WALL BRACKET OPTIONS (sold separately)

The Griven Parade L Wall Bracket can be used with the Griven Parade L product family. The Wall Bracket will position the center of the Parade L optics at a distance of six inches from the wall.



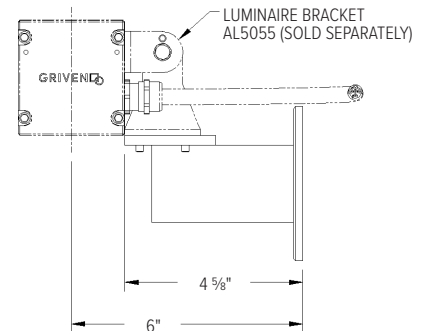
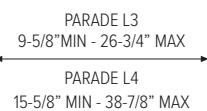
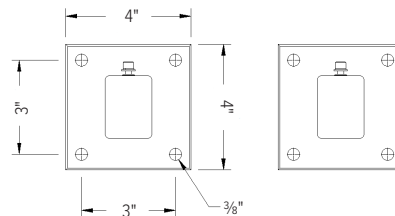
WB-06-PDL1/L2-XX* (*Specify finish)

(1) 6" Wall Bracket



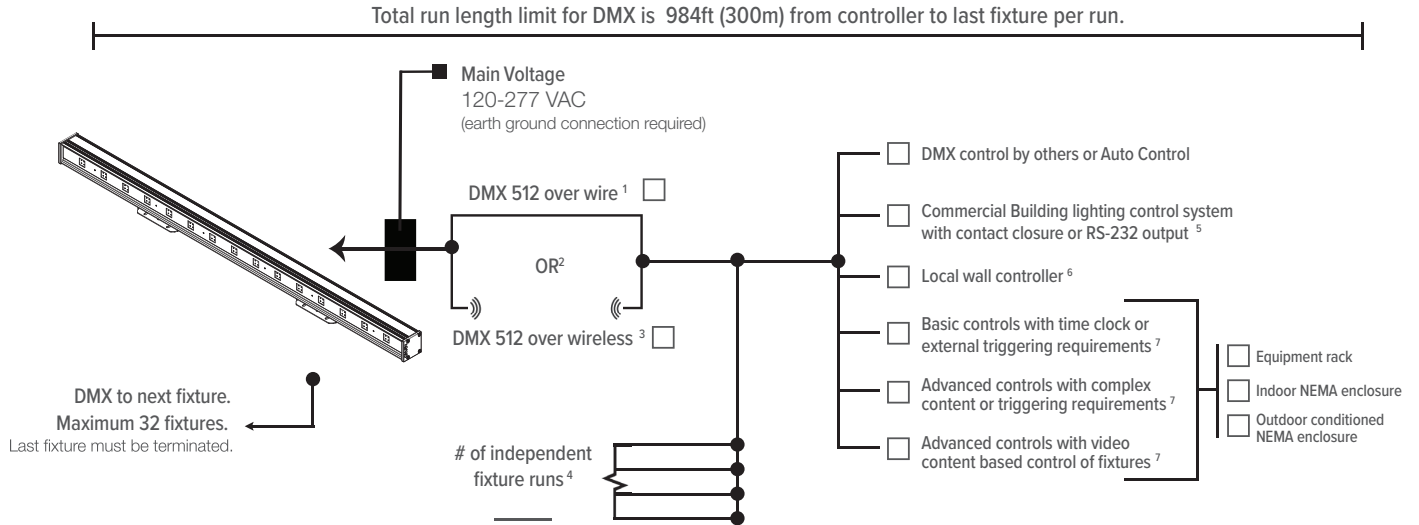
WB-06-PDL3/L4-XX* (*Specify finish)

(2) 6" Wall Bracket



CONTROL OPTIONS (DMX512, PRIMARY CONTROL PLATFORM)

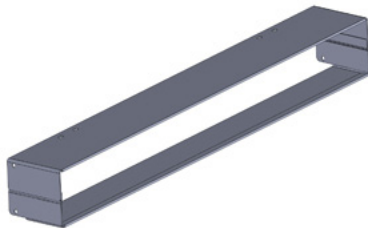
Contact manufacturer for control system development.



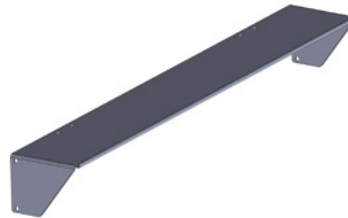
NOTES

1. Wire specifications are available from factory as well as approved wire for purchase.
2. Other control protocol solutions available. Contact factory for more information.
3. Wireless components are external to fixture. Distance limitations based on antennas chosen and site conditions. Contact factory for more information.
4. Based on maximum of 32 fixtures per run as well as any site constraints on conveyance of data.
5. For example: Lutron, Crestron, Encelium, Douglas, ETC by others. Given control system will interface with building lighting control system.
6. Local wall controller for small applications. Wall controllers specified separately for larger systems.
7. Contact factory for assistance with specification. Onsite commissioning by Given of control system is required.

ACCESSORIES



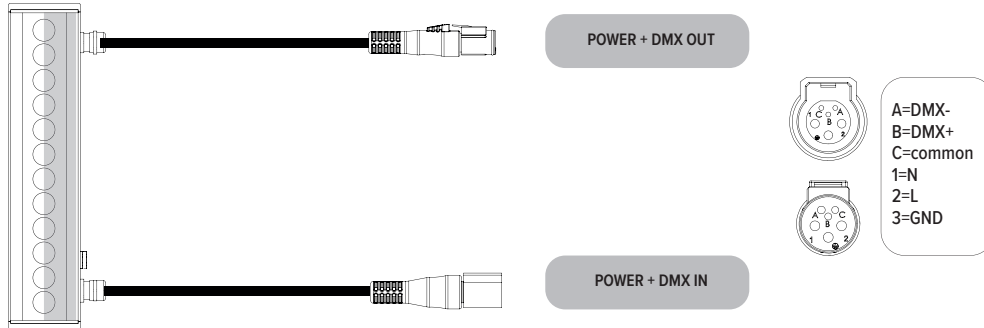
Snoot



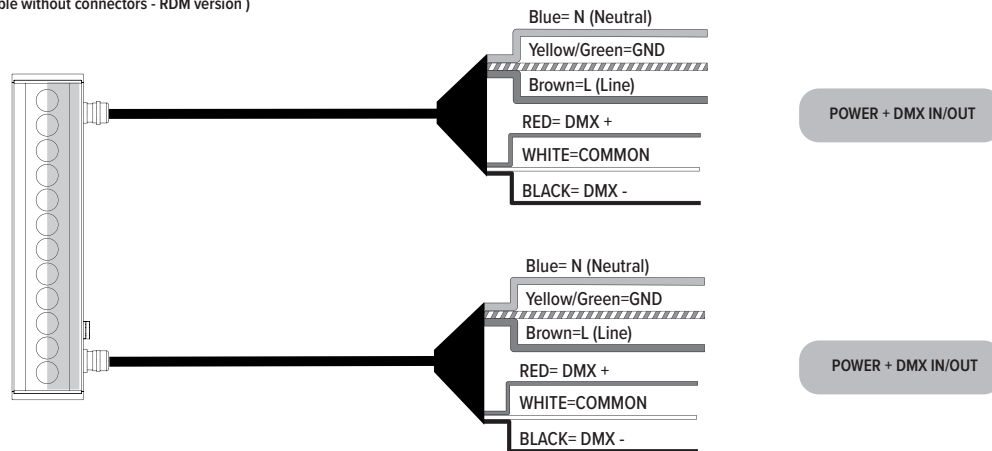
Visor

CONNECTIONS

“C” Type cable (Monocable + connectors)



“M” Type cable (Monocable without connectors - RDM version)



“M” Type cable (Monocable without connectors - Self Addressing version)

