

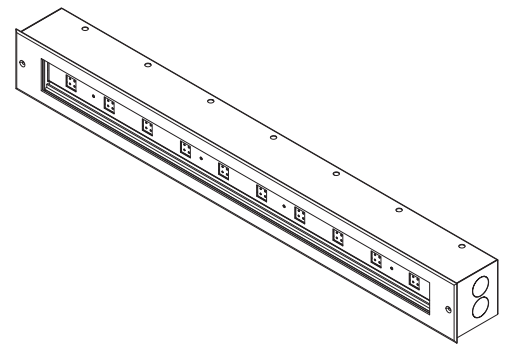


PROJECT	TYPE
SPECIFIER	DATE
ORDER #	QTY

PARADE S40/20 R adds color and visual interest to interior and exterior pedestrian environments with a choice of color-changing RGBW or dynamic white or simple ambience with warm or cool white LEDs. With five light distributions from which to choose, the recessed light bar provides design versatility as a wall wash luminaire or visual way marker. High power LEDs are arranged in clusters of four to optimize color mixing and uniform illumination. The high flux, high luminance recessed linear LED module features an integral driver for simplified installation. On board control system allows standalone or master-satellite configurations, as well as operation with an external DMX controller. All hardware is stainless steel.

## PRODUCT SPECIFICATIONS

LUMEN OUTPUT	2624 lumens @ 39"x27" CW Parade S 40 R (see pg 3 for output values of all standard colors)
EFFICACY	53.6 (lm/W) CW
LUMEN MAINTENANCE	100,000 hours L70 @ 25°C*
COLOR	RGBW (6500K white), DW (2700-6500K), CW (6300K), WW (3000K) (see pg 4 for customization options)
OPTICS	39" x 27", 45", 55" x 15", 109" x 37", Wall Wash (Additional optics available upon request)
OPERATING TEMPERATURE	-40° to 122° F (-40° to 50°C)
HOUSING	Stainless steel in-grade housing; Extruded aluminum fixture body
MOUNTING	In-grade
WEIGHT	S 40 R: 19.2 lbs. (8.7 kg) / S 20 R: 11.2 lbs. (5.1 kg)
CERTIFICATION	 pending 
INGRESS PROTECTION	Wet location rated IP67
IMPACT RATING	IK10
CONTROL	Auto Control, DMX 512 (RDM E1.20), Wireless and 0-10V interfaces available
ADDITIONAL FEATURES	Automatic overtemperature protection / IR Remote



\* LED life may vary under actual field conditions due to external factors. Lifetime estimates are generated from actual testing in a controlled environment, Griven values are conservatively derived from those numbers.

## ELECTRICAL SPECIFICATIONS

INPUT VOLTAGE	100-277 VAC @ 50-60Hz
POWER CONSUMPTION	S 40 R: 49W 0.41A @ 115VAC, 0.2A @ 277VAC S 20 R: 28W 0.21A @ 115VAC, 0.11A @ 277VAC
POWER FACTOR	>.98 @ 115VAC, >.92 @ 277VAC
PROTECTION	Self-resetting fuse

IP67 / IK10 /  /  Pending

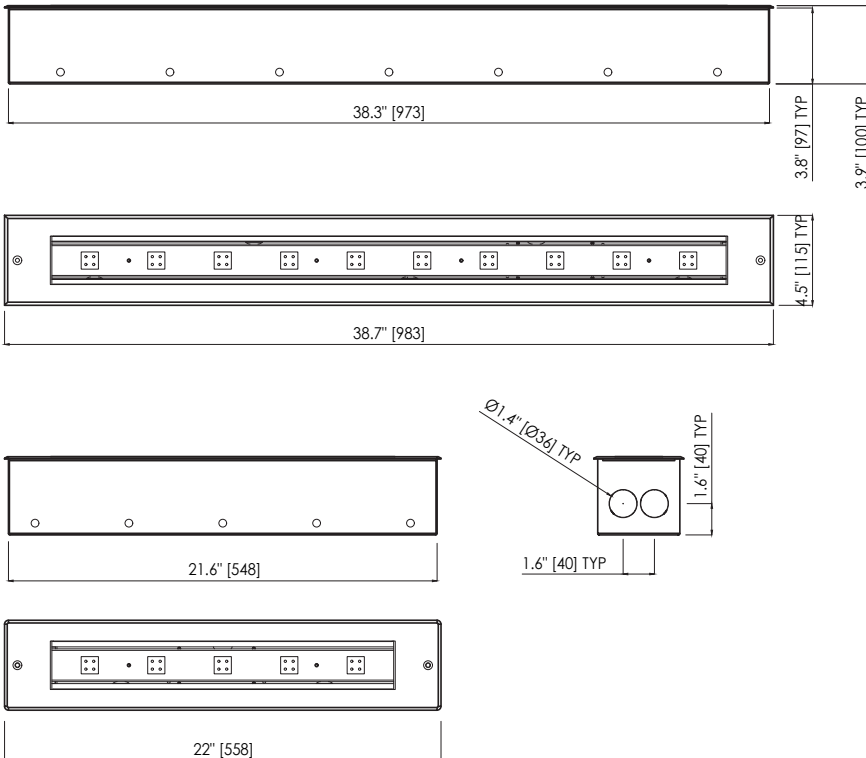
## HOW TO ORDER

PART	COLOR	VOLTAGE	OPTIC	ORIENTATION*	OPTIONS
PDR40 Parade S 40 R	RGBW	UNV 100-277V	MB Medium 39° x 27°	H Horizontal	SD Spreading Diffuser (consult factory)
PDR20 Parade S 20 R	DW 2700-6500K		WB Wide 45°	V Vertical	ATS Anti-Slip Treatment
	CW 6300K		ELLB* Elliptical 55° x 15°		
	WW 3000K		ELWB* Elliptical Wide 109° x 37°		
	CCW Custom White		WW Wall Wash		
	CCM Custom Monochrome				

(leave blank if symmetric)

\* Specify horizontal or vertical orientation

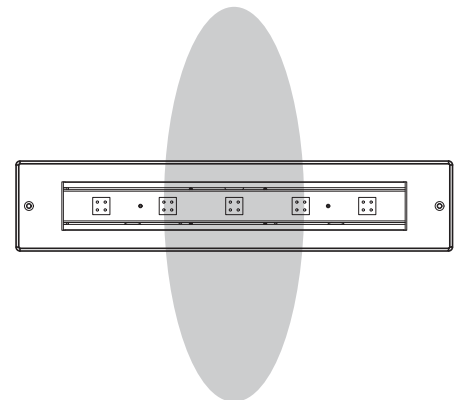
## DIMENSIONAL DRAWINGS



## OPTIC ORIENTATION (For Elliptical Beams)



HORIZONTAL MODE (Standard)



VERTICAL MODE (On Request)

## PHOTOMETRICS

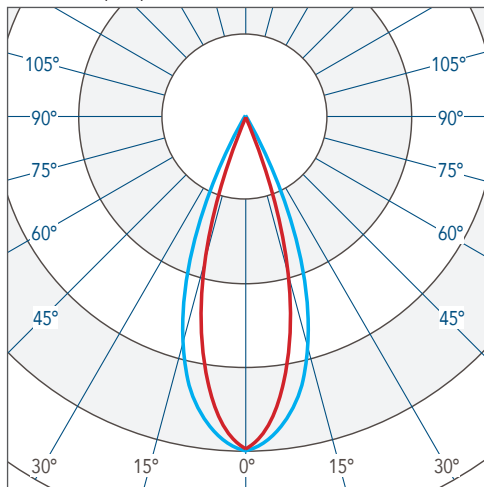
### LIGHT OUTPUT

Photometric data based on cool white LEDs. Use multiplier to determine lumen and CBCP output for RGBW, DW, or WW.

COLOR	OUTPUT MULTIPLIER
RGBW (6500K White)	.63
DW (2700-6500K)	.85
CW (6300K)	1.00
WW (3000K)	.70

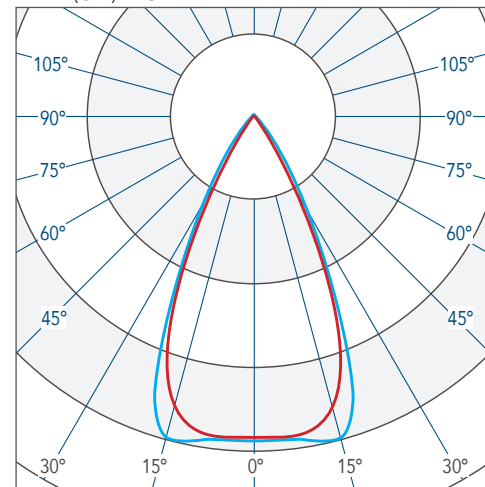
### CANDELA DISTRIBUTION

MEDIUM (CW) 27°



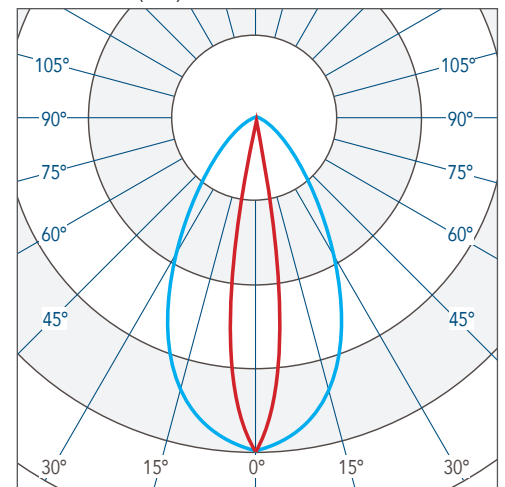
— Horizontal  
— Vertical  
**S 40 R CBCP 6346 2648 lm**  
**S 20 R CBCP 2993 1333 lm**

WIDE (CW) 45°



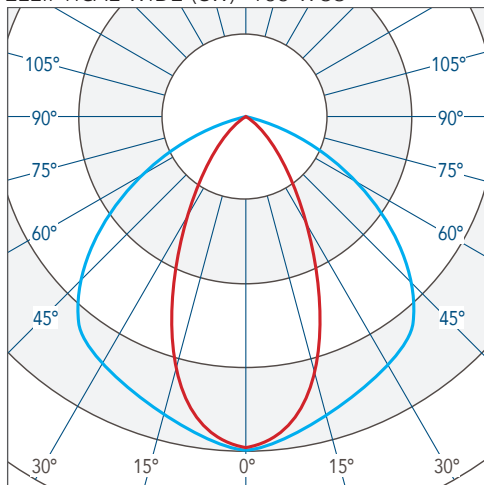
— Horizontal  
— Vertical  
**S 40 R CBCP 4044 2500 lm**  
**S 20 R CBCP 1973 1234 lm**

ELLIPTICAL (CW) 55° x 14°



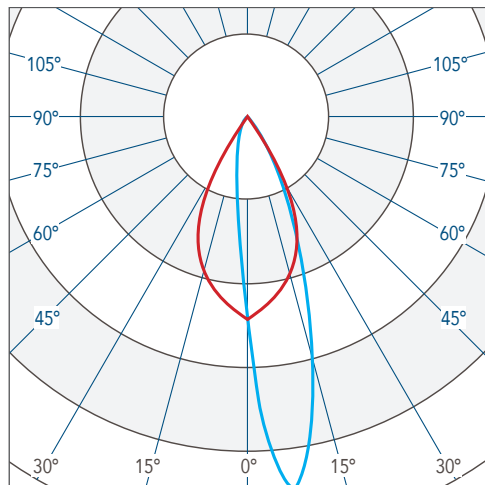
— Horizontal  
— Vertical  
**S 40 R CBCP 7204 2458 lm**  
**S 20 R CBCP 3628 1249 lm**

ELLIPTICAL WIDE (CW) 109° x 38°



— Horizontal  
— Vertical  
**S 40 R CBCP 2046 2436 lm**  
**S 20 R CBCP 1006 1234 lm**

WALL WASH (CW)



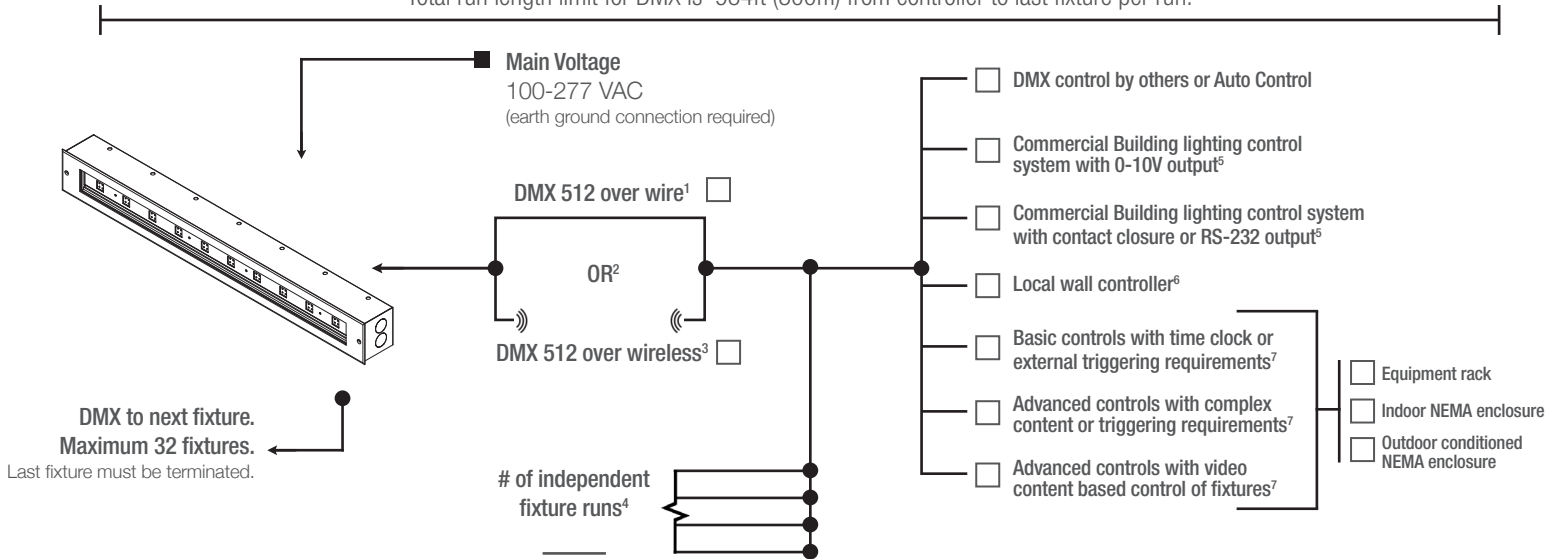
— Horizontal  
— Vertical  
**S 40 R CBCP 6509 2471 lm**  
**S 20 R CBCP 3299 1239 lm**



## CONTROL OPTIONS (DMX512, PRIMARY CONTROL PLATFORM)

Contact manufacturer for control system development.

Total run length limit for DMX is 984ft (300m) from controller to last fixture per run.



### NOTES

1. Wire specifications are available from factory as well as approved wire for purchase.
2. Other control protocol solutions available. Contact factory for more information.
3. Wireless components are external to fixture. Distance limitations based on antennas chosen and site conditions. Contact factory for more information.
4. Based on maximum of 32 fixtures per run as well as any site constraints on conveyance of data.
5. For example: Lutron, Crestron, Encelium, Douglas, ETC by others. Griven control system will interface with building lighting control system.
6. Local wall controller for small applications. Wall controllers specified separately for larger systems.
7. Contact factory for assistance with specification. Onsite commissioning by Griven of control system is required.

## PRODUCT OPTIONS



### SPREADING DIFFUSER

Die cut spreading diffusers can be added to fixture. Factory sealed in fixture for highest performance and durability. Consult factory.



### CUSTOM WHITE LIGHT

Choose the white light you need for your project. Contact Griven USA to confirm availability of a custom CCT.



### CUSTOM MONOCHROME

Fixtures with dedicated color LEDs available. Contact Griven USA to confirm availability of a custom color.

