


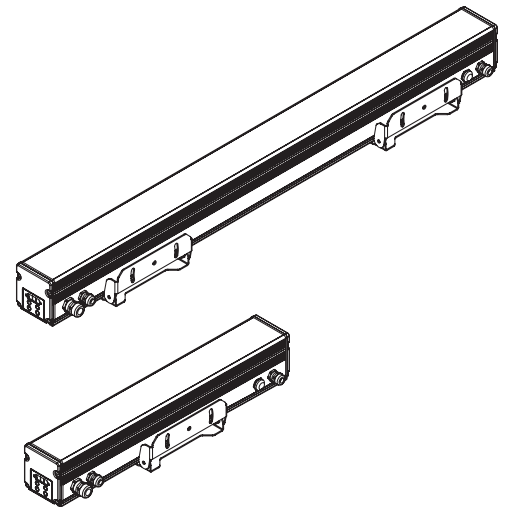
PROJECT	TYPE
SPECIFIER	DATE
ORDER #	QTY

PARADE X is a high output, high luminance light bar featuring RGBW, dynamic white, cool white, or warm white LEDs grouped in clusters of 4 LEDs each. The compact profile luminaire is available in two lengths and generates an industry leading 1100 lumens per foot in RGBW. Uniform color coverage of facades, even on close-up installations, is possible when using wall wash optics. Additional optics include medium or wide, as well as elliptical or elliptical wide distributions. The RGBW model offers unprecedented white light output quality, as well as a wide variety of intermediate color hues for a broad range of applications. The dynamic white model displays brilliant warm tones, natural hues, and cool shades across the white light chromatic scale. Laterally adjustable brackets allow the luminaire to be ground mounted, or installed in any position and orientation on building surfaces for maximum versatility. The lightweight unit features an integral power supply, eliminating the need for additional electrical hardware. Programming options include stand-alone operation, master-satellite configurations, or operation with a remote DMX512 controller. An onboard control panel offers instant access to all digital functions. All hardware is stainless steel.

## PRODUCT SPECIFICATIONS

LUMEN OUTPUT	5067 lumens @ 38" x 28" CW Parade X 48 (see pg 3 for output values of all standard colors)
EFFICACY	53.6 (lm/W) CW
LUMEN MAINTENANCE	100,000 hours L70 @ 25°C
COLOR	RGBW (6500K white), DW (2700-6500K), CW (6300K), WW (3000K) (see pg 4 for customization options)
OPTICS	38" x 28", 45", 67" x 13", 91" x 26", Wall Wash (Additional optics available upon request)
OPERATING TEMPERATURE	-22° to 122° F (-30° to 50°C)
HOUSING	Extruded aluminum body
MOUNTING	Bracket mount with locking hinge (custom mounting available upon request)
WEIGHT	X-24: 6.2 lbs. (2.8 kg) / X-48: 9.9 lbs. (4.5 kg)
CERTIFICATION	
INGRESS PROTECTION	Wet location rated IP67
IMPACT RATING	IK06
CONTROL	Auto Control, DMX 512 (RDM E1.20), Wireless and 0-10V interfaces available
ADDITIONAL FEATURES	Automatic overtemperature protection

\* LED life may vary under actual field conditions due to external factors. Lifetime estimates are generated from actual testing in a controlled environment, Griven values are conservatively derived from those numbers.



## ELECTRICAL SPECIFICATIONS

INPUT VOLTAGE	100-277 VAC @ 50-60Hz
POWER CONSUMPTION	X-48: 115W 0.6A @ 230VAC X-24: 58W 0.3A @ 230VAC
POWER FACTOR	>.98 @ 115VAC, >.92 @ 277VAC
PROTECTION	Self-resetting fuse

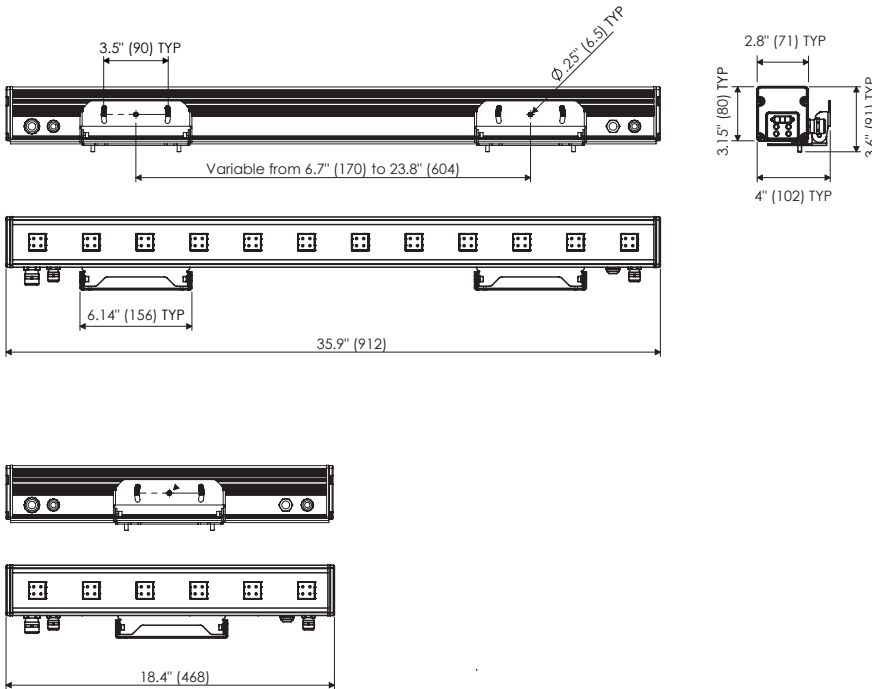
IP67 / IK06 / CE / 

## HOW TO ORDER

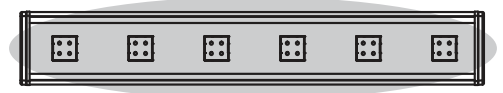
PART	COLOR	VOLTAGE	OPTIC	ORIENTATION*	FINISH	OPTIONS
PDX48 Parade X 48	RGBW	UNV 100-277V	MB Medium 38° x 28°	H Horizontal	SG Silver Gray	SD Spreading Diffuser (consult factory)
PDX24 Parade X 24	CW 6300K		WB Wide 45°	V Vertical	CC Custom Color	
	DW 2700K-6500K		ELLB* Elliptical 67° x 13°		SGM Silver Gray Marine Grade	
	WW 3000K		ELWB* Elliptical Wide 91° x 26°		CCMG Custom Color Marine Grade	
	CCW Custom White		WW Wall Wash			
	CCM Custom Monochrome					

\* Specify horizontal or vertical orientation

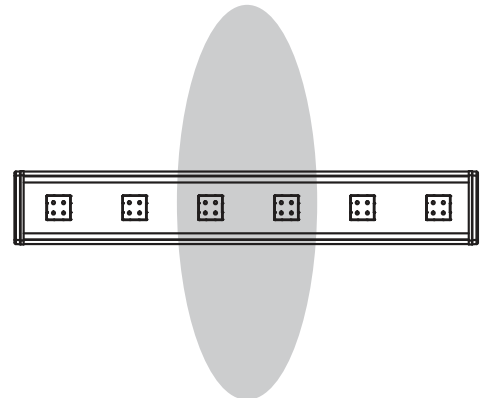
## DIMENSIONAL DRAWINGS



## OPTIC ORIENTATION (For Elliptical Beams)



HORIZONTAL MODE (Standard)



VERTICAL MODE (On Request)

## PHOTOMETRICS

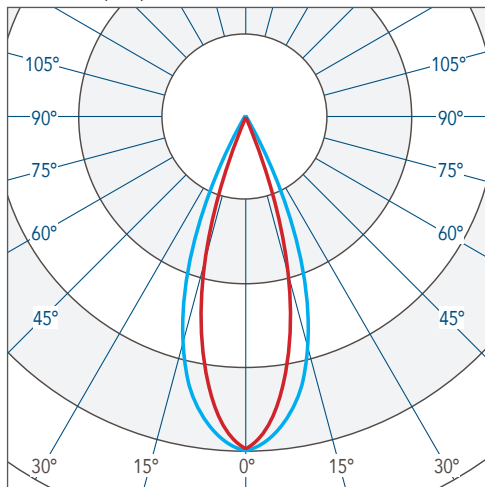
### LIGHT OUTPUT

Photometric data based on cool white LEDs. Use multiplier to determine lumen and CBCP output for RGBW, DW, or WW.

COLOR	OUTPUT MULTIPLIER
RGBW (6500K White)	.65
CW (6300K)	1.00
DW (2700-6500K)	.83
WW (3000K)	.66

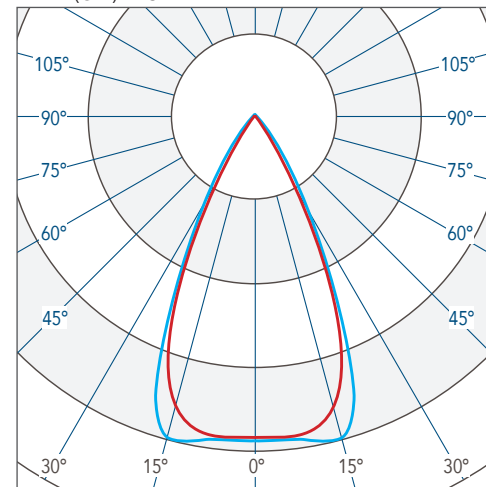
### CANDELA DISTRIBUTION

MEDIUM (CW) 38° x 28°



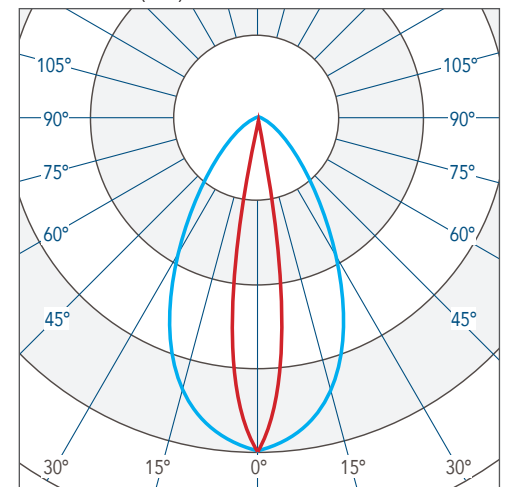
— Horizontal  
— Vertical  
**X 48 CBCP 11859**    **5067 lm**  
**X 24 CBCP 5931**    **2534 lm**

WIDE (CW) 45°



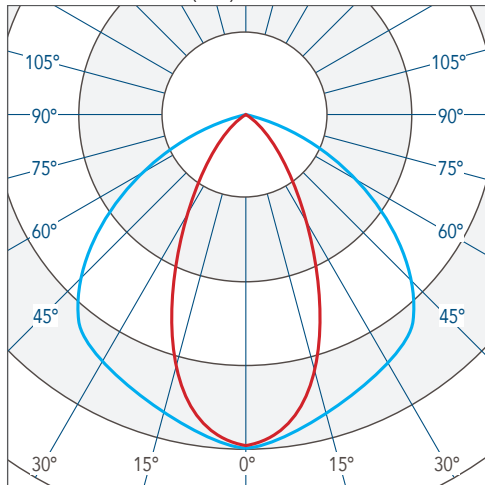
— Horizontal  
— Vertical  
**X 48 CBCP 8055**    **4826 lm**  
**X 24 CBCP 4019**    **2414 lm**

ELLIPTICAL (CW) 67° x 13°



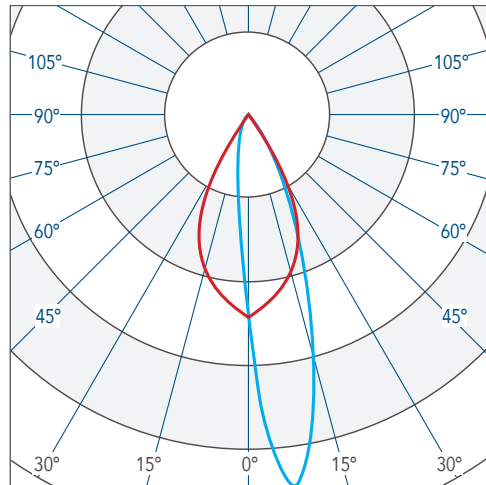
— Horizontal  
— Vertical  
**X 48 CBCP 13586**    **4891 lm**  
**X 24 CBCP 6850**    **2466 lm**

ELLIPTICAL WIDE (CW) 91° x 26°



— Horizontal  
— Vertical  
**X 48 CBCP 5983**    **4625 lm**  
**X 24 CBCP 2991**    **2312 lm**

WALL WASH (CW)

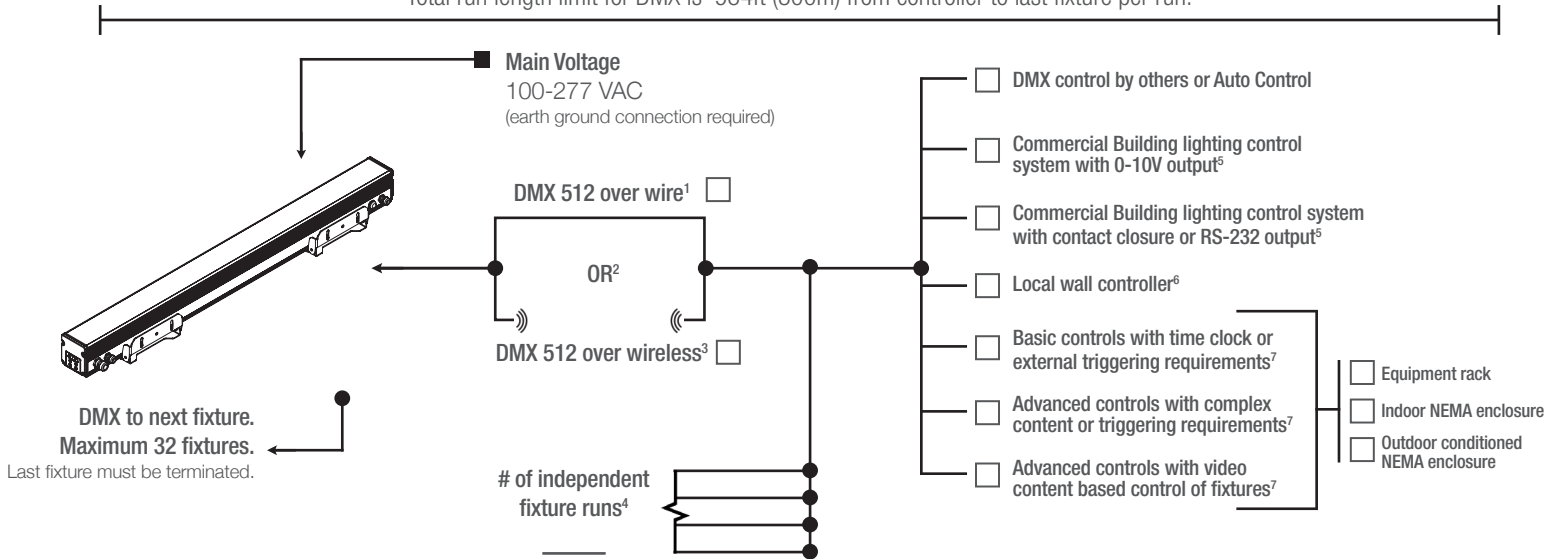


— Horizontal  
— Vertical  
**X 48 CBCP 6767**    **4563 lm**  
**X 24 CBCP 3384**    **2282 lm**

## CONTROL OPTIONS (DMX512, PRIMARY CONTROL PLATFORM)

Contact manufacturer for control system development.

Total run length limit for DMX is 984ft (300m) from controller to last fixture per run.



### NOTES

1. Wire specifications are available from factory as well as approved wire for purchase.
2. Other control protocol solutions available. Contact factory for more information.
3. Wireless components are external to fixture. Distance limitations based on antennas chosen and site conditions. Contact factory for more information.
4. Based on maximum of 32 fixtures per run as well as any site constraints on conveyance of data.
5. For example: Lutron, Crestron, Encelium, Douglas, ETC by others. Griven control system will interface with building lighting control system.
6. Local wall controller for small applications. Wall controllers specified separately for larger systems.
7. Contact factory for assistance with specification. Onsite commissioning by Griven of control system is required.

## PRODUCT OPTIONS



### SPREADING DIFFUSER

Die cut spreading diffusers can be added to fixture. Factory sealed in fixture for highest performance and durability. Consult factory.



### CUSTOM WHITE LIGHT

Choose the white light you need for your project. Contact Griven USA to confirm availability of a custom CCT.



### CUSTOM MONOCHROME

Fixtures with dedicated color LEDs available. Contact Griven USA to confirm availability of a custom color.

