


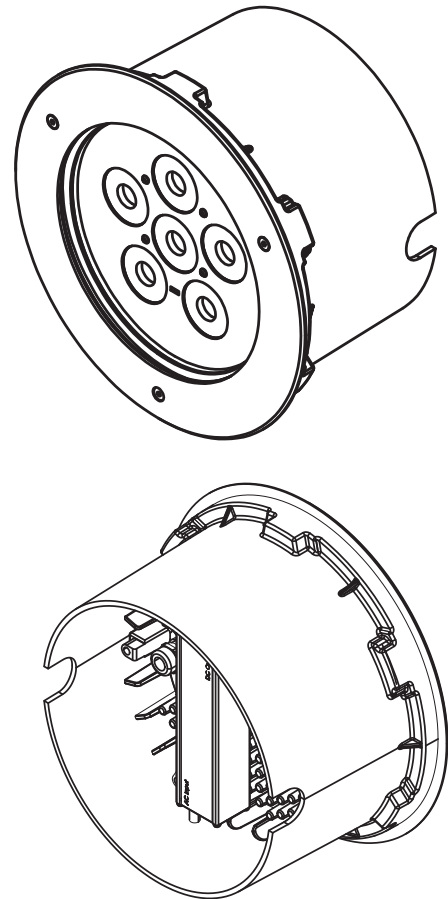
PROJECT	TYPE
SPECIFIER	DATE
ORDER #	QTY

RUBY MC Recessed features six high power quad-chip LEDs in RGBW, dynamic white, or cool white with a choice of four symmetric distributions ranging from spot to wide beams. The 11" diameter inground luminaire has an installation depth of just 6", making it suitable for a wide variety of installation conditions. The IP67 rated luminaire includes an integral power supply and on-board controls programmed by a remote infrared controller for stand-alone operation, master-satellite for multiple unit synchronization, or for interface with external DMX controllers. All hardware is stainless steel.

## PRODUCT SPECIFICATIONS

LUMEN OUTPUT	2560 lumens @ 7° CW (see pg 3 for output values of all standard colors)
EFFICACY	44 (lm/W) CW
LUMEN MAINTENANCE	100,000 hours L70 @ 25°C*
COLOR	RGBW (6500K white), DW (2700-6500K), CW (6300K) (see pg 4 for customization options)
OPTICS	7°, 10°, 23°, 35° (Additional optics available upon request)
OPERATING TEMPERATURE	-40° to 122° F (-40° to 50°C)
HOUSING	Stainless steel flange and ABS casting housing
MOUNTING	In-grade
WEIGHT	11 lbs. (5 kg)
CERTIFICATION	
INGRESS PROTECTION	Wet location rated IP67
IMPACT RATING	IK09
CONTROL	Auto Control, DMX 512 (RDM E1.20), Wireless and 0-10V interfaces available
ADDITIONAL FEATURES	Automatic overtemperature protection / IR Remote

\* LED life may vary under actual field conditions due to external factors. Lifetime estimates are generated from actual testing in a controlled environment, Griven values are conservatively derived from those numbers.



## ELECTRICAL SPECIFICATIONS

INPUT VOLTAGE	100-277 VAC @ 50-60Hz
POWER CONSUMPTION	58W 0.60A @ 115VAC, 0.24A @ 277VAC
POWER FACTOR	>.9 @ 115VAC; >.9 @ 277 VAC
PROTECTION	Self-resetting fuse

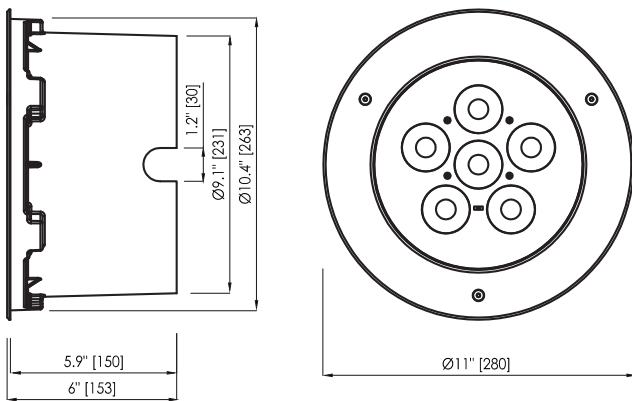
IP67 / IK09 / CE / 



## HOW TO ORDER

RBR250		UNV			
PART	COLOR	VOLTAGE	OPTIC	FINISH	OPTIONS
	RGBW	UNV	SP	SG	SD
	DW	100-277V	Spot 7°	Silver Gray	Spreading Diffuser (consult factory)
	2700-6500K		NB	CC	ATS
	CW		Narrow 10°	Custom Color	Anti-Slip Treatment
	6300K		MB	SGM	
			Medium 23°	Silver Gray Marine Grade	
			WB	CCMG	
			Wide 35°	Custom Color Marine Grade	

## DIMENSIONAL DRAWINGS



## PHOTOMETRICS

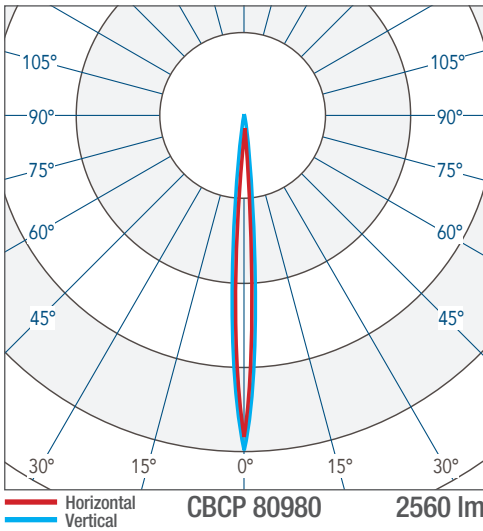
### LIGHT OUTPUT

Photometric data based on cool white LEDs. Use multiplier to determine lumen and CBCP output for RGBW, DW, or WW.

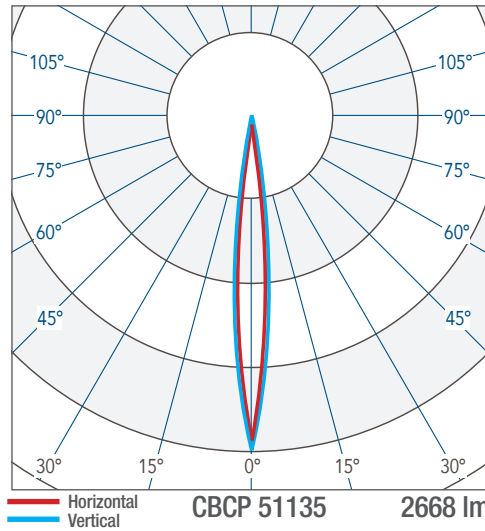
COLOR	OUTPUT MULTIPLIER
RGBW (6500K White)	.68
DW (2700-6500K)	.81
CW (6300K)	1.00

### CANDELA DISTRIBUTION (Optical data not currently available for Wall Wash optic)

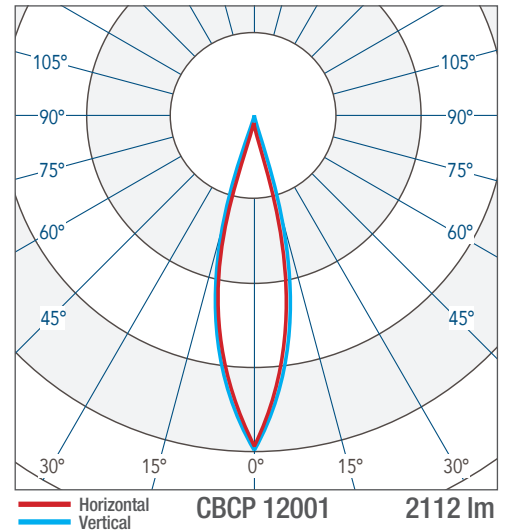
#### SPOT (CW) 7°



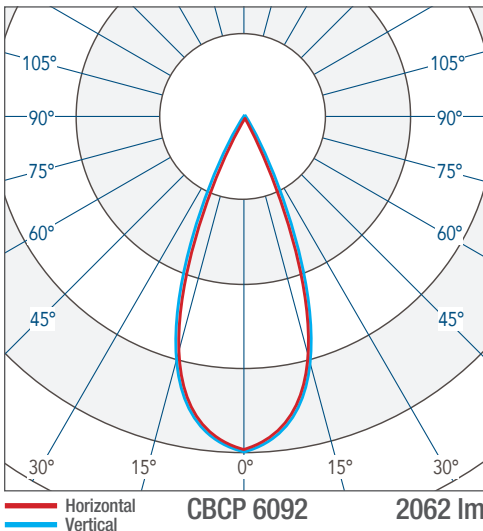
#### NARROW (CW) 10°



#### MEDIUM (CW) 23°



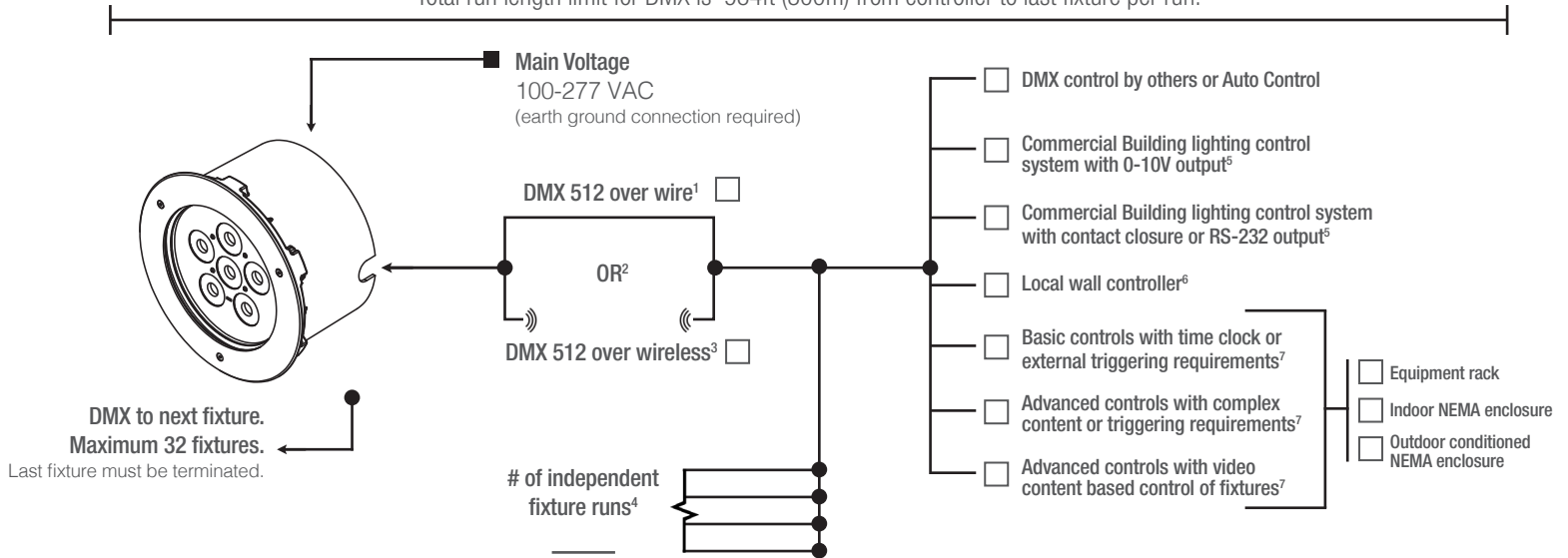
#### WIDE (CW) 35°



## CONTROL OPTIONS (DMX512, PRIMARY CONTROL PLATFORM)

Contact manufacturer for control system development.

Total run length limit for DMX is 984ft (300m) from controller to last fixture per run.



### NOTES

1. Wire specifications are available from factory as well as approved wire for purchase.
2. Other control protocol solutions available. Contact factory for more information.
3. Wireless components are external to fixture. Distance limitations based on antennas chosen and site conditions. Contact factory for more information.
4. Based on maximum of 32 fixtures per run as well as any site constraints on conveyance of data.
5. For example: Lutron, Crestron, Encelium, Douglas, ETC by others. Griven control system will interface with building lighting control system.
6. Local wall controller for small applications. Wall controllers specified separately for larger systems.
7. Contact factory for assistance with specification. Onsite commissioning by Griven of control system is required.

## PRODUCT OPTIONS



### SPREADING DIFFUSER

Die cut spreading diffusers can be added to fixture. Factory sealed in fixture for highest performance and durability. Consult factory.



### MARINE GRADE COATING

Maximum corrosion resistance for installations near salt or brackish water.

