


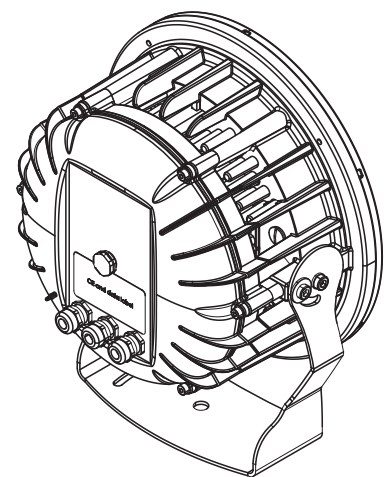
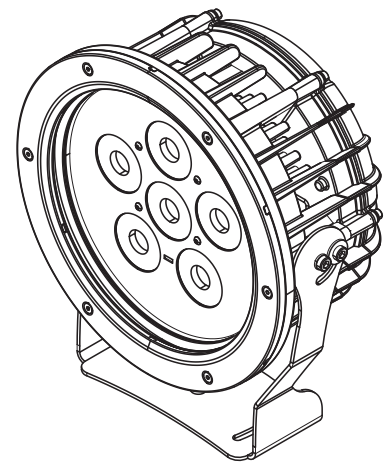
PROJECT	TYPE
SPECIFIER	DATE
ORDER #	QTY

RUBY MC satisfies a wide variety of architectural and landscape illumination needs with a selection of optics ranging from spot to wide distributions. Six high power LEDs are available in RGBW, dynamic white, or cool white. The luminaire features an integral power supply and on-board controls programmed by a remote infrared controller for stand-alone operation, master-satellite for multiple unit synchronization, or to interface with external DMX controllers. Light control accessories are available on request. All hardware is stainless steel.

## PRODUCT SPECIFICATIONS

LUMEN OUTPUT	2560 lumens @ 7° CW (see pg 3 for output values of all standard colors)
EFFICACY	44 (lm/W) CW
LUMEN MAINTENANCE	100,000 hours L70 @ 25°C*
COLOR	RGBW (6500K white), DW (2700-6500K), CW (6300K) (see pg 4 for customization options)
OPTICS	7°, 10°, 23°, 35° (Additional optics available upon request)
OPERATING TEMPERATURE	-22° to 113° F (-30° to 45° C)
HOUSING	Die-cast aluminum body with powder coat
MOUNTING	Yoke mount with locking hinge (custom mounting available upon request)
WEIGHT	10.8 lbs. (4.9 kg)
CERTIFICATION	
INGRESS PROTECTION	Wet location rated IP66
IMPACT RATING	IK09
CONTROL	Auto Control, DMX 512 (RDM E1.20), Wireless and 0-10V interfaces available
ADDITIONAL FEATURES	Automatic overtemperature protection / IR Remote

\* LED life may vary under actual field conditions due to external factors. Lifetime estimates are generated from actual testing in a controlled environment, Given values are conservatively derived from those numbers.



## ELECTRICAL SPECIFICATIONS

INPUT VOLTAGE	100-277 VAC @ 50-60Hz
POWER CONSUMPTION	58W 0.60A @ 115VAC, 0.24A @ 277VAC
POWER FACTOR	>.9 @ 115VAC; >.9 @ 277 VAC
PROTECTION	Self-resetting fuse

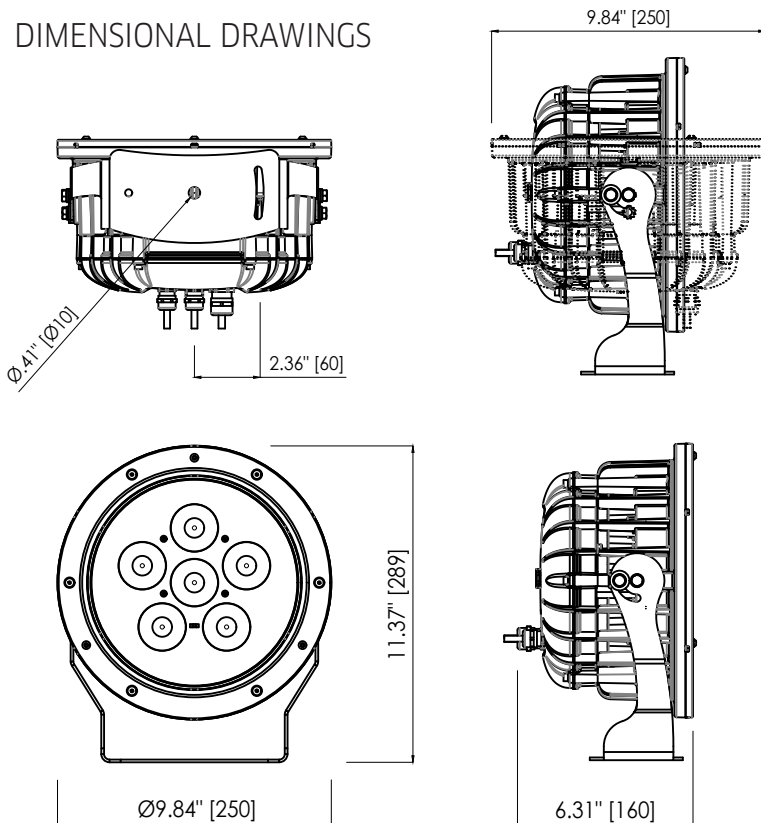
IP66 / IK09 /  / 



## HOW TO ORDER

RB250		UNV					
PART	COLOR	VOLTAGE	OPTIC	FINISH	ACCESSORIES	OPTIONS	
	RGBW	UNV 100-277V	SP Spot 7°	SG Silver Gray	BND Barndoor	SD Spreading Diffuser (consult factory)	
	DW 2700-6500K		NB Narrow 10°	CC Custom Color	FGS Full Glare Shield		
	CW 6300K		MB Medium 23°	SGM Silver Gray Marine Grade	AGS Angled Glare Shield		
			WB Wide 35°	CCMG Custom Color Marine Grade			

## DIMENSIONAL DRAWINGS



## PHOTOMETRICS

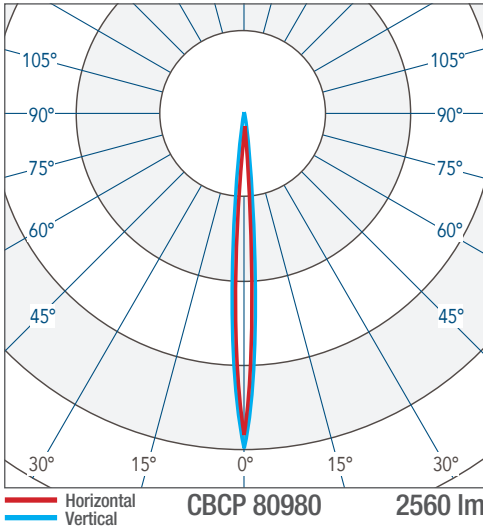
### LIGHT OUTPUT

Photometric data based on cool white LEDs. Use multiplier to determine lumen and CBCP output for RGBW, DW, or WW.

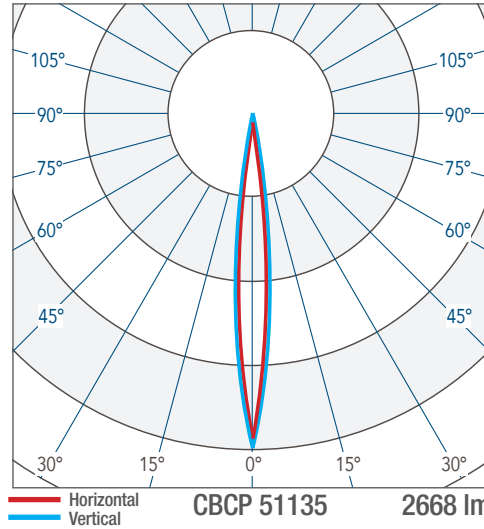
COLOR	OUTPUT MULTIPLIER
RGBW (6500K White)	.68
DW (2700-6500K)	.81
CW (6300K)	1.00

### CANDELA DISTRIBUTION

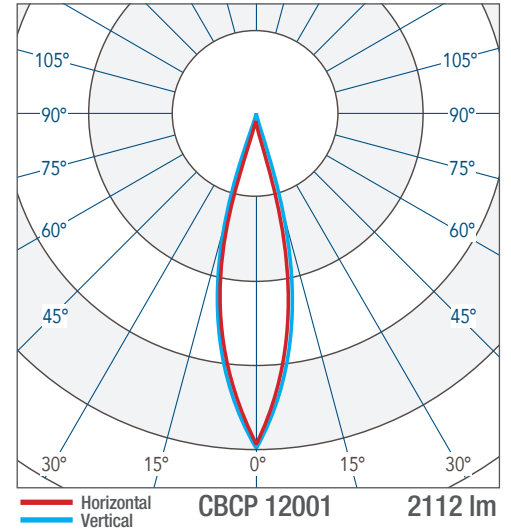
#### SPOT (CW) 7°



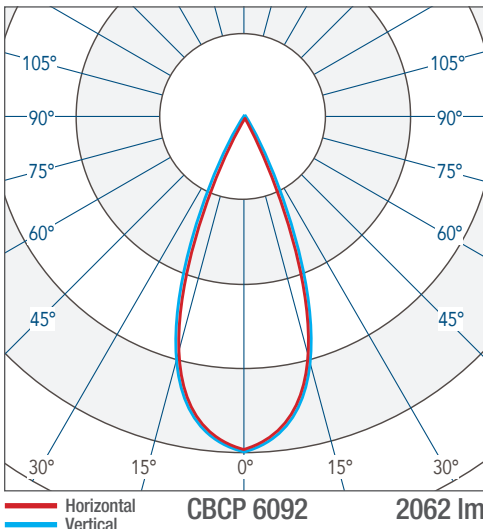
#### NARROW (CW) 10°



#### MEDIUM (CW) 23°



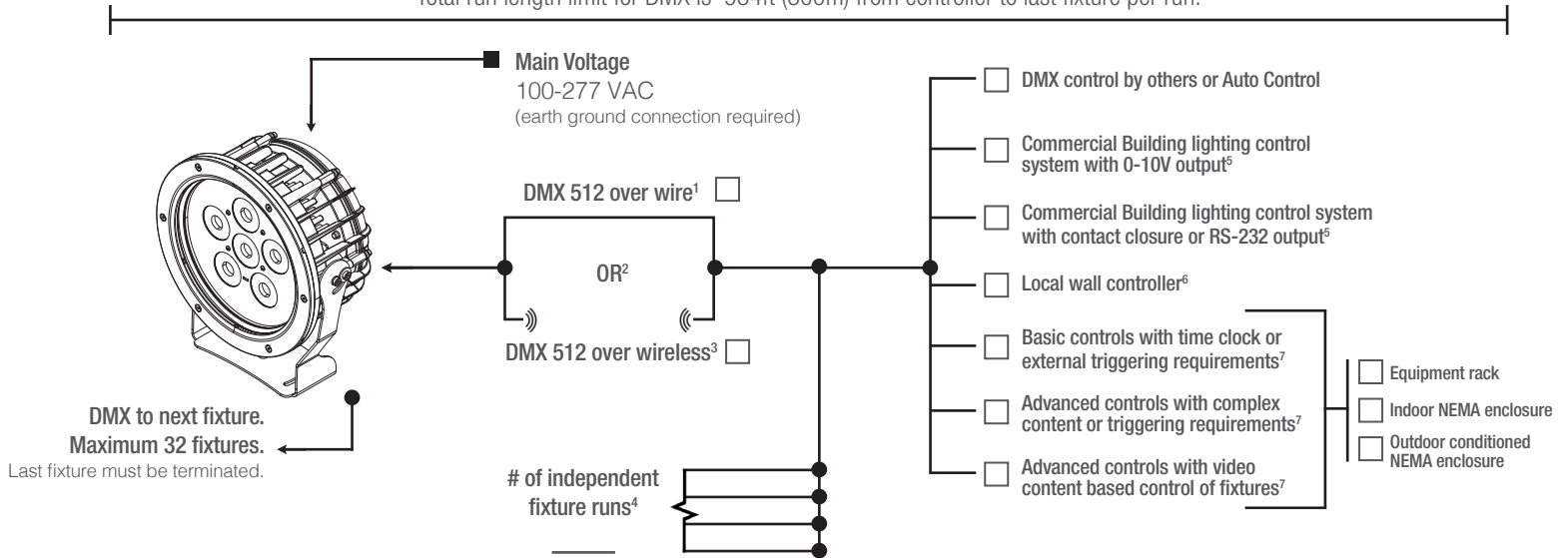
#### WIDE (CW) 35°



## CONTROL OPTIONS (DMX512, PRIMARY CONTROL PLATFORM)

Contact manufacturer for control system development.

Total run length limit for DMX is 984ft (300m) from controller to last fixture per run.



### NOTES

1. Wire specifications are available from factory as well as approved wire for purchase.
2. Other control protocol solutions available. Contact factory for more information.
3. Wireless components are external to fixture. Distance limitations based on antennas chosen and site conditions. Contact factory for more information.
4. Based on maximum of 32 fixtures per run as well as any site constraints on conveyance of data.
5. For example: Lutron, Crestron, Encelium, Douglas, ETC by others. Griven control system will interface with building lighting control system.
6. Local wall controller for small applications. Wall controllers specified separately for larger systems.
7. Contact factory for assistance with specification. Onsite commissioning by Griven of control system is required.

## PRODUCT OPTIONS



### SPREADING DIFFUSER

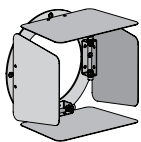
Die cut spreading diffusers can be added to fixture. Factory sealed in fixture for highest performance and durability. Consult factory.



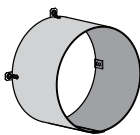
### MARINE GRADE COATING

Maximum corrosion resistance for installations near salt or brackish water.

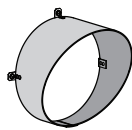
## ACCESSORIES



Barndoor



Full Glare Shield



Angled Glare Shield

