


PROJECT	TYPE
SPECIFIER	DATE
ORDER #	QTY

RUBY R recessed in grade luminaire offers diverse options for spotlighting or wall grazing through an extensive collection of symmetric, elliptical, and wall washing optics. Programming is easily accomplished via a remote infrared controller and will operate in DMX, automatic, or master-satellite modes for expanded versatility. The 11" diameter luminaire has an overall depth of less than six inches, making it suitable for a wide variety of installation conditions for interior or exterior applications. All hardware is stainless steel.

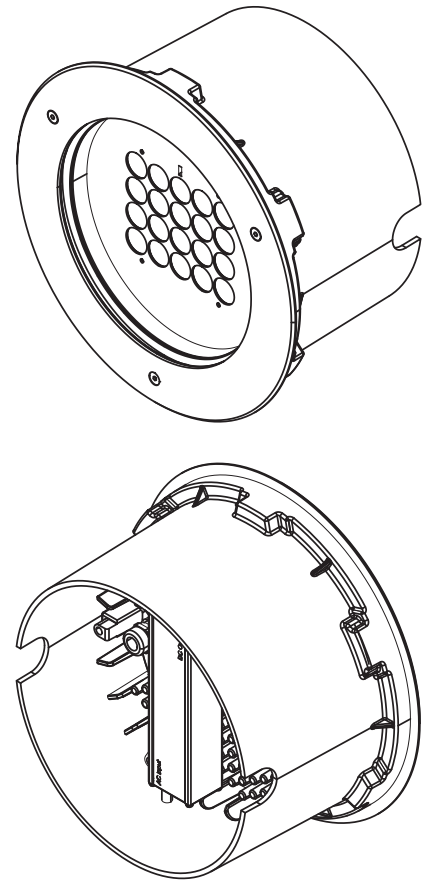
PRODUCT SPECIFICATIONS

LUMEN OUTPUT	1408 lumens @ 7° RGBW (see pg 3 for output values of all standard colors)
EFFICACY	38 (lm/W) RGBW
LUMEN MAINTENANCE	100,000 hours L70 @ 25°C*
COLOR	RGBW (6500K white) (see pg 4 for customization options)
OPTICS	7°, 11°, 21°, 43°, 69°, 40° x 11°, 40° x 20°, Wall Wash (Additional optics available upon request)
OPERATING TEMPERATURE	-40° to 122° F (-40° to 50° C)
HOUSING	Die-cast aluminum body with powder coat
MOUNTING	In-grade
WEIGHT	10.1 lbs. (4.6 kg)
CERTIFICATION	
INGRESS PROTECTION	Wet location rated IP66
IMPACT RATING	IK09
CONTROL	Auto Control, DMX 512 (RDM E1.20), Wireless and 0-10V interfaces available
ADDITIONAL FEATURES	Automatic overtemperature protection / Keypad interface

* LED life may vary under actual field conditions due to external factors. Lifetime estimates are generated from actual testing in a controlled environment, Griven values are conservatively derived from those numbers.

ELECTRICAL SPECIFICATIONS

INPUT VOLTAGE	100-277 VAC @ 50-60Hz
POWER CONSUMPTION	37W .32A @ 115VAC, .14A @ 277VAC (RGBW)
POWER FACTOR	>.98 @ 115VAC, >.92 @ 277VAC
PROTECTION	Self-resetting fuse



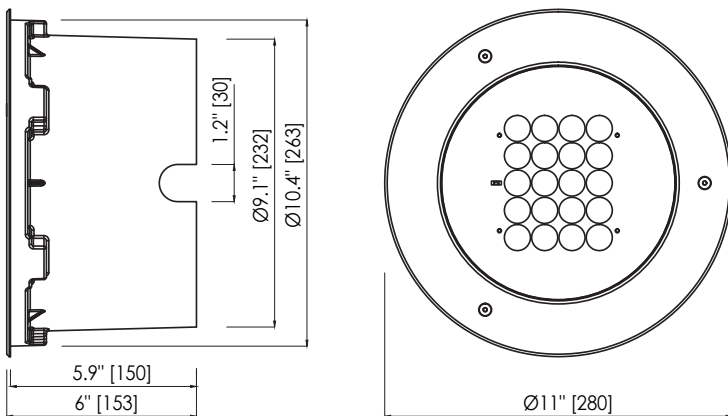
IP66 / IK09 / CE / 

HOW TO ORDER

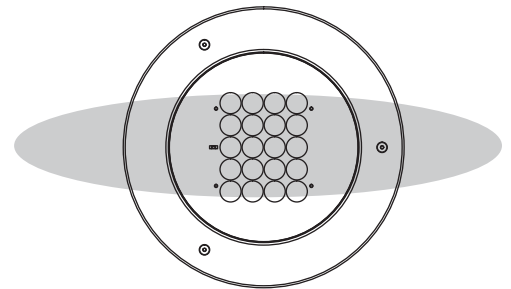
RB280	COLOR	UNV	OPTIC	(leave blank if symmetric)	ORIENTATION*	OPTIONS
PART	RGBW	VOLTAGE	SP		H	SD
	CCM	UNV	Spot 7°		Horizontal	Spreading Diffuser (consult factory)
	Custom	100-277V	NB		V	ATS
	Monochrome		Narrow 11°		Vertical	Anti-Slip Treatment
			MB			
			Medium 21			
			WB			
			Wide 43°			
			EXWB			
			Extra Wide 69°			
			ELLB*			
			Elliptical			
			40° x 11°			
			ELWB*			
			Elliptical Wide			
			40° x 20°			
			WW			
			Wall Wash/ Asymmetric			

* Specify horizontal or vertical orientation

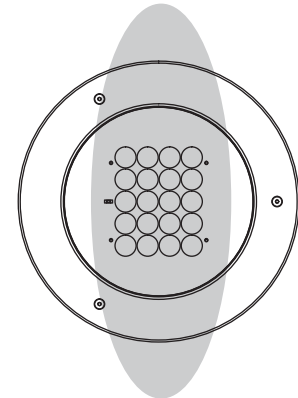
DIMENSIONAL DRAWINGS



OPTIC ORIENTATION (For Elliptical Beams)



HORIZONTAL MODE (Standard)

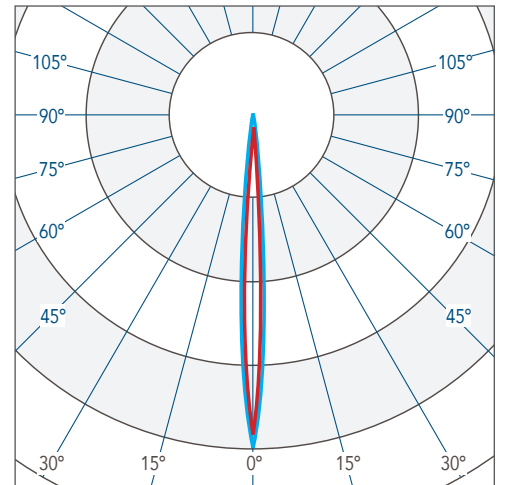


VERTICAL MODE (On Request)

PHOTOMETRICS

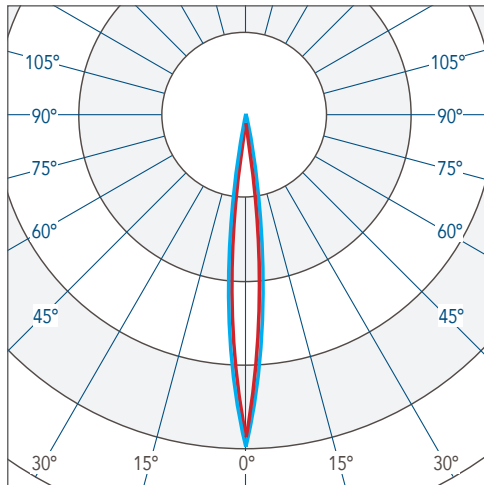
CANDELA DISTRIBUTION (Optical data not currently available for Wall Wash optic)

SPOT (RGBW) 7°



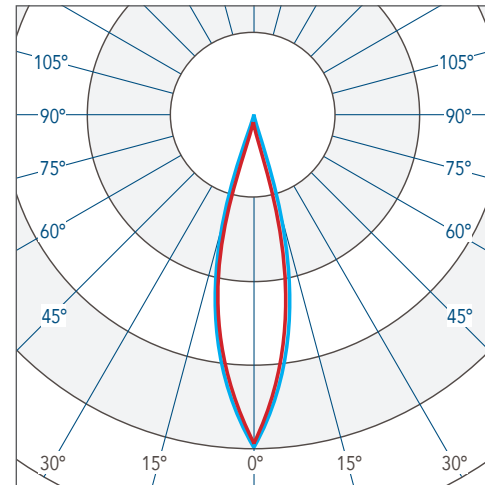
Horizontal Vertical **CBCP 55323** **1408 lm**

NARROW (RGBW) 11°



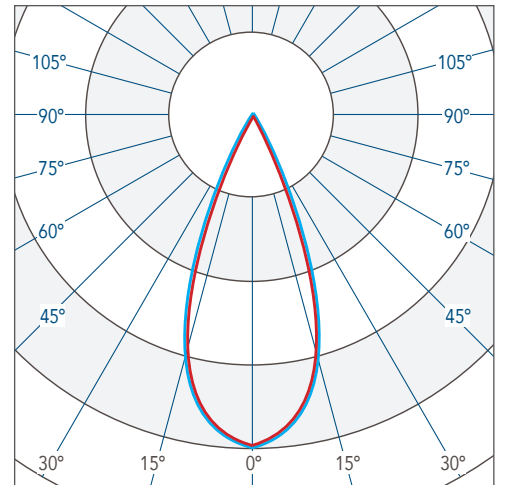
Horizontal Vertical **CBCP 22589** **1357 lm**

MEDIUM (RGBW) 21°



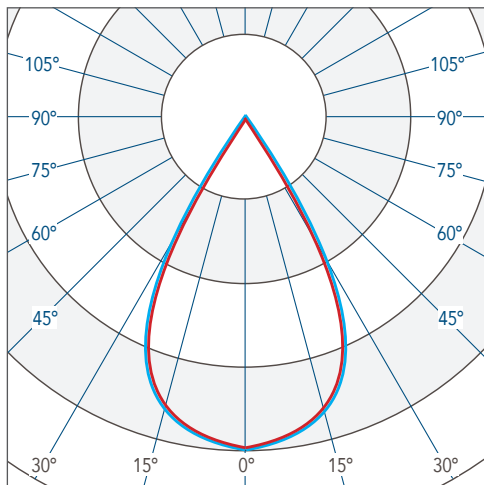
Horizontal Vertical **CBCP 7440** **1325 lm**

WIDE (RGBW) 43°



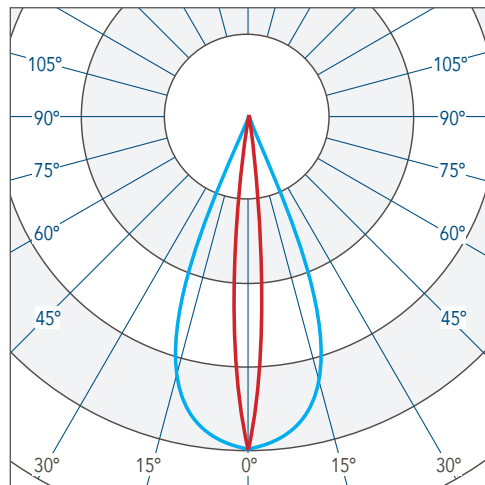
Horizontal Vertical **CBCP 2434** **1263 lm**

EXTRA WIDE (RGBW) 69°



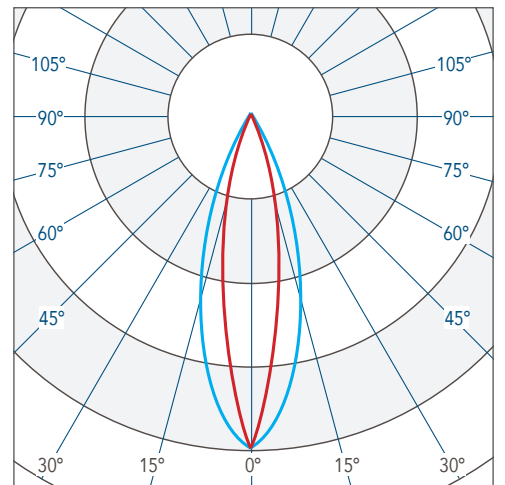
Horizontal Vertical **CBCP 981** **1157 lm**

ELLIPTICAL (RGBW) 40° x 11°



Horizontal Vertical **CBCP 8653** **1319 lm**

ELLIPTICAL WIDE (RGBW) 40° x 20°



Horizontal Vertical **CBCP 4471** **1271 lm**

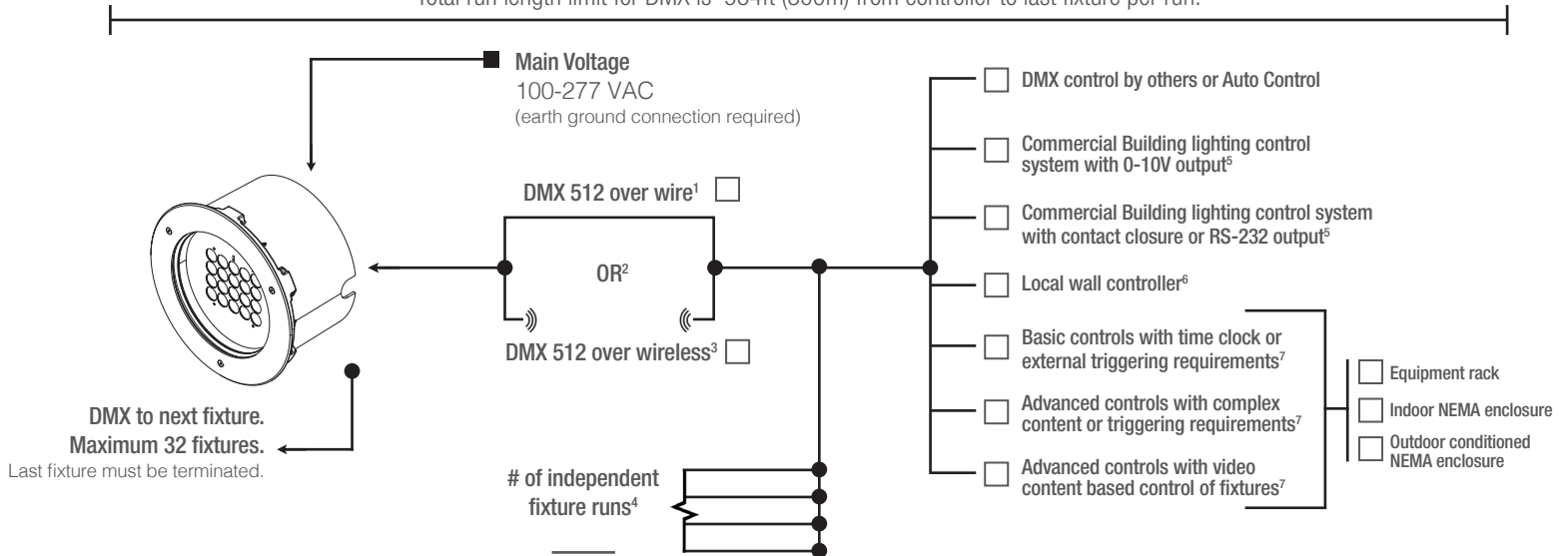
3/4



CONTROL OPTIONS (DMX512, PRIMARY CONTROL PLATFORM)

Contact manufacturer for control system development.

Total run length limit for DMX is 984ft (300m) from controller to last fixture per run.



NOTES

1. Wire specifications are available from factory as well as approved wire for purchase.
2. Other control protocol solutions available. Contact factory for more information.
3. Wireless components are external to fixture. Distance limitations based on antennas chosen and site conditions. Contact factory for more information.
4. Based on maximum of 32 fixtures per run as well as any site constraints on conveyance of data.
5. For example: Lutron, Crestron, Encelium, Douglas, ETC by others. Griven control system will interface with building lighting control system.
6. Local wall controller for small applications. Wall controllers specified separately for larger systems.
7. Contact factory for assistance with specification. Onsite commissioning by Griven of control system is required.

PRODUCT OPTIONS



SPREADING DIFFUSER

Die cut spreading diffusers can be added to fixture. Factory sealed in fixture for highest performance and durability. Consult factory.



CUSTOM MONOCHROME

Fixtures with dedicated color LEDs available. Contact Griven USA to confirm availability of a custom color.

