


PROJECT	TYPE
SPECIFIER	DATE
ORDER #	QTY

JADE 16 combines high lumen output with a wide selection of optics within a compact 6.3" diameter luminaire that is well suited to architectural accenting and illumination of a wide variety of structures. Sixteen high power LEDs in RGBW are strategically arranged to deliver optimal color mixing and smooth transitions across the color spectrum. The luminaire features an integral power supply and on-board controls programmed by a remote infrared controller for stand-alone operation, master-satellite configurations for multiple unit synchronization, or to interface with external DMX controllers. Monochrome colors are available on request. All hardware is stainless steel.

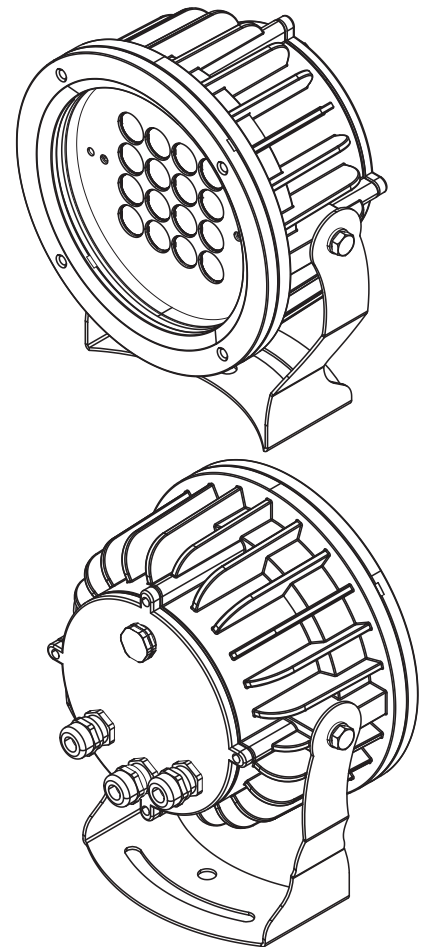
PRODUCT SPECIFICATIONS

LUMEN OUTPUT	1479 lumens @ 13° RGBW (see pg 3 for output values of all standard colors)
EFFICACY	36 (lm/W) RGBW
LUMEN MAINTENANCE	100,000 hours L70 @ 25°C*
COLOR	RGBW (6500K white) (see pg 4 for customization options)
OPTICS	13°, 29°, 40°, 58°, 34" x 12", 51" x 29"
OPERATING TEMPERATURE	-22° to 122° F (-40° to 50°C)
HOUSING	Die-cast aluminum body with powder coat
MOUNTING	Yoke mount with locking hinge (custom mounting available upon request)
WEIGHT	4.4 lbs. (2 kg)
CERTIFICATION	
INGRESS PROTECTION	Wet location rated IP66
IMPACT RATING	IK09
VIBRATION RATING	ANSI C136.31 rated version available
CONTROL	Auto Control, DMX 512 (RDM E1.20), Wireless and 0-10V interfaces available
ADDITIONAL FEATURES	Automatic overtemperature protection / IR Remote

* LED life may vary under actual field conditions due to external factors. Lifetime estimates are generated from actual testing in a controlled environment, Griven values are conservatively derived from those numbers.

ELECTRICAL SPECIFICATIONS

INPUT VOLTAGE	100-277 VAC @ 50-60Hz
POWER CONSUMPTION	41W 0.40A @ 115VAC, 0.17A @ 277VAC
POWER FACTOR	120V >.9, 277V <.9
PROTECTION	Self-resetting fuse



IP66 / IK09 / CE / 

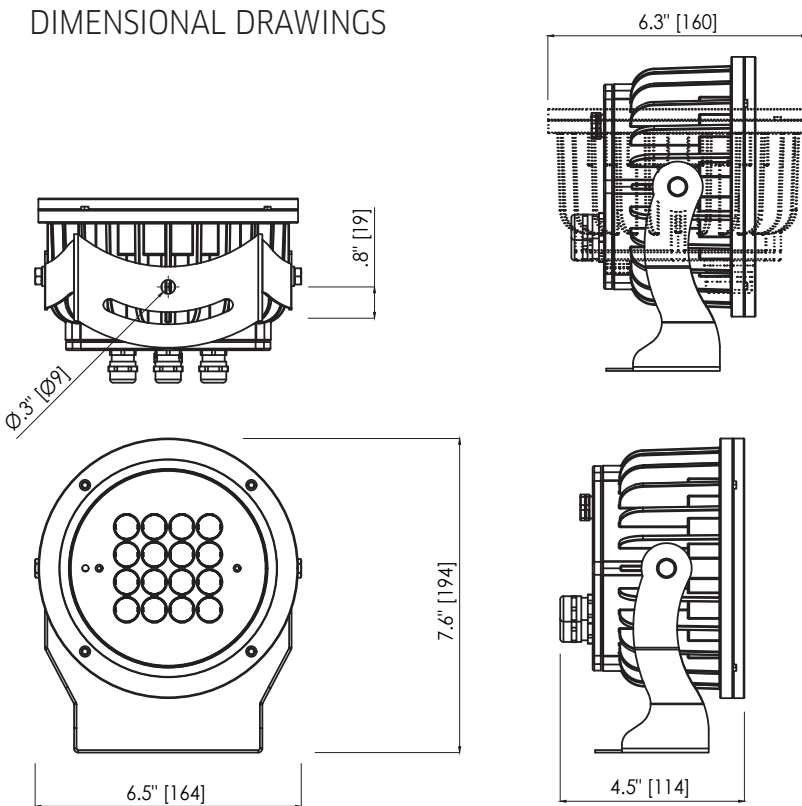


HOW TO ORDER

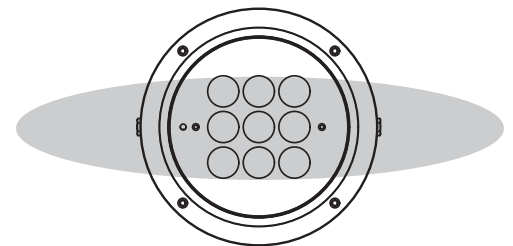
JD1664		UNV		(leave blank if symmetric)			
PART	COLOR	VOLTAGE	OPTIC	ORIENTATION*	FINISH	ACCESSORIES	OPTIONS
	RGBW	UNV 100-277V	NB Narrow 13°	H Horizontal	SG Silver Gray	BND Barndoor	SD Spreading Diffuser (consult factory)
	CCM Custom Monochrome		MB Medium 29°	V Vertical	CC Custom Color	FGS Full Glare Shield	3G ANSI C136.31 Vibration Rating
			WB Wide 40°		SGM Silver Gray Marine Grade	AGS Angled Glare Shield	
			EXWB Extra Wide 58°		CCMG Custom Color Marine Grade		
			ELLB* Elliptical 34° x 12°				
			ELWB* Elliptical Wide 51° x 29°				

* Specify horizontal or vertical orientation

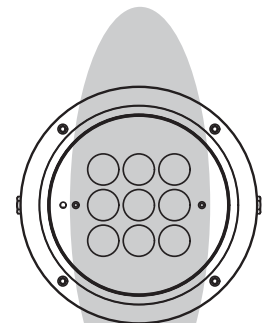
DIMENSIONAL DRAWINGS



OPTIC ORIENTATION (For Elliptical Beams)



HORIZONTAL MODE (Standard)

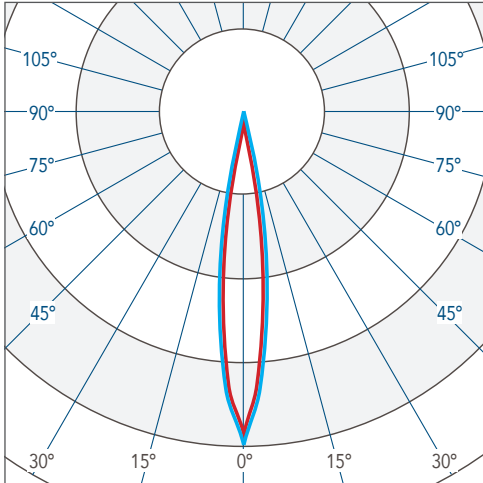


VERTICAL MODE (On Request)

PHOTOMETRICS

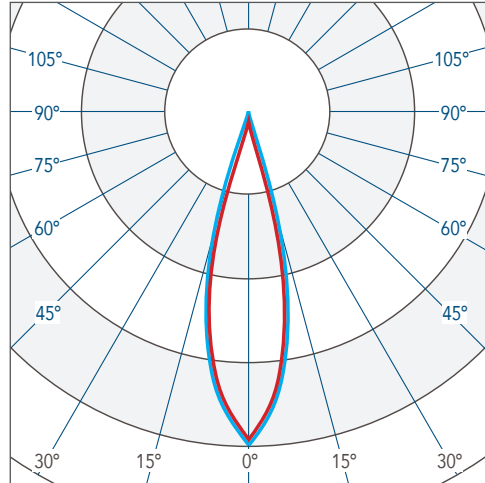
CANDELA DISTRIBUTION

NARROW (RGBW) 13°



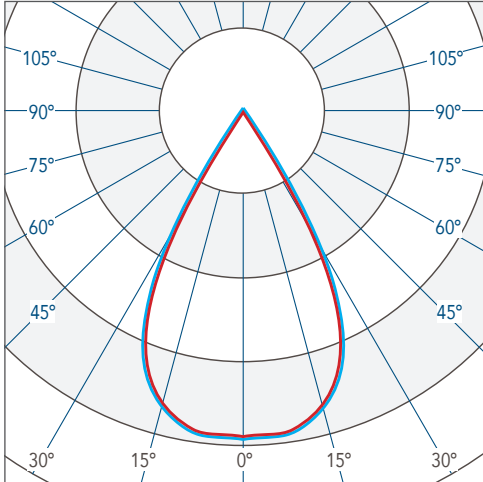
Horizontal Vertical **CBCP 16219** **1479 lm**

MEDIUM (RGBW) 29°



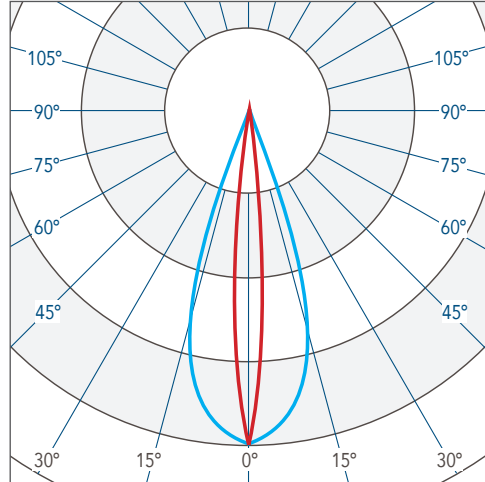
Horizontal Vertical **CBCP 4626** **1304 lm**

EXTRA WIDE (RGBW) 58°



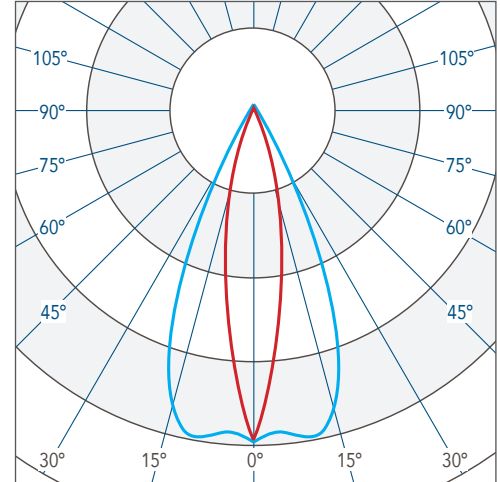
Horizontal Vertical **CBCP 1428** **1292 lm**

ELLIPTICAL (RGBW) 34° x 12°



Horizontal Vertical **CBCP 8279** **1433 lm**

ELLIPTICAL WIDE (RGBW) 51° x 29°

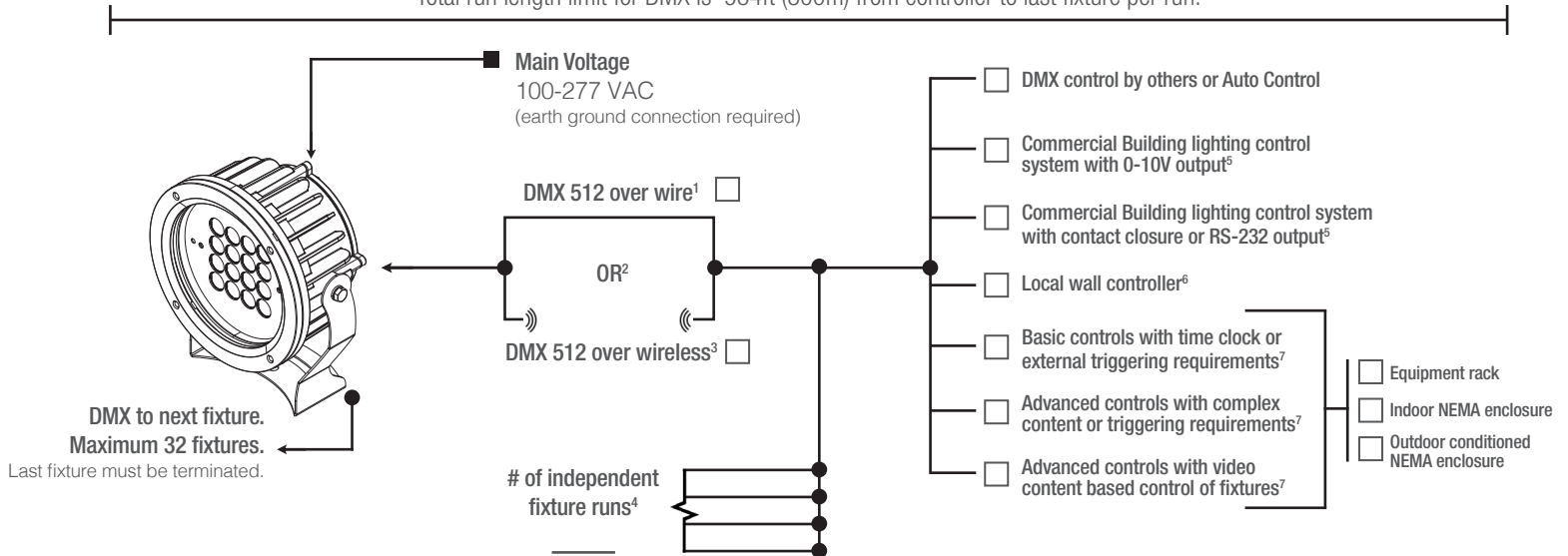


Horizontal Vertical **CBCP 2571** **1379 lm**

CONTROL OPTIONS (DMX512, PRIMARY CONTROL PLATFORM)

Contact manufacturer for control system development.

Total run length limit for DMX is 984ft (300m) from controller to last fixture per run.



NOTES

1. Wire specifications are available from factory as well as approved wire for purchase.
2. Other control protocol solutions available. Contact factory for more information.
3. Wireless components are external to fixture. Distance limitations based on antennas chosen and site conditions. Contact factory for more information.
4. Based on maximum of 32 fixtures per run as well as any site constraints on conveyance of data.
5. For example: Lutron, Crestron, Encellium, Douglas, ETC by others. Griven control system will interface with building lighting control system.
6. Local wall controller for small applications. Wall controllers specified separately for larger systems.
7. Contact factory for assistance with specification. Onsite commissioning by Griven of control system is required.

PRODUCT OPTIONS



SPREADING DIFFUSER

Die cut spreading diffusers can be added to fixture. Factory sealed in fixture for highest performance and durability. Consult factory.



MARINE GRADE COATING

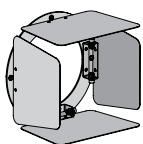
Maximum corrosion resistance for installations near salt or brackish water.



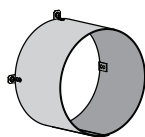
CUSTOM MONOCHROME

Fixtures with dedicated color LEDs available. Contact Griven USA to confirm availability of a custom color.

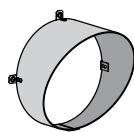
ACCESSORIES



Barndoor



Full Glare Shield



Angled Glare Shield

